

Freeride 350 EU
Freeride 350 AUS

Art. no. 3211907en



KTM

DEAR KTM CUSTOMER

Congratulations on your decision to purchase a KTM motorcycle. You are now the owner of a state-of-the-art sports motorcycle that will give you enormous pleasure if you service and maintain it accordingly.

We wish you a lot of enjoyment in riding this vehicle!

Enter the serial numbers of your vehicle below.

Chassis number (☛ p. 11)	Dealer's stamp
Engine number (☛ p. 11)	
Key number (☛ p. 11)	

The owner's manual contained the latest information for this model at the time of going to print. Slight deviations resulting from continuing development and design of the motorcycles can, however, not be completely excluded.

All specifications are non-binding. KTM Sportmotorcycle AG specifically reserves the right to modify or delete technical specifications, prices, colors, forms, materials, services, designs, equipment, etc., without prior notice and without specifying reasons, to adapt these to local conditions, as well as to stop production of a particular model without prior notice. KTM accepts no liability for delivery options, deviations from illustrations and descriptions, as well as misprints and other errors. The models portrayed partly contain special equipment that does not belong to the regular scope of delivery.

© 2012 KTM-Sportmotorcycle AG, Mattighofen Austria

All rights reserved

Reproduction, even in part, as well as copying of all kinds, is permitted only with the express written permission of the copyright owner.












ISO 9001(12 100 6061)

According to the international quality management standard ISO 9001, KTM uses quality assurance processes that lead to the maximum possible quality of the products.

Issued by: TÜV Management Service

REG.NO. 12 100 6061

KTM-Sportmotorcycle AG
5230 Mattighofen, Austria

1	MEANS OF REPRESENTATION	5	6.12.19	Table of functions	20
1.1	Symbols used	5	6.12.20	Table of conditions and menu activation	21
1.2	Formats used	5	6.13	Opening the filler cap	21
2	SAFETY ADVICE	6	6.14	Closing the filler cap	22
2.1	Use definition - intended use	6	6.15	Idle speed adjusting screw	22
2.2	Safety advice	6	6.16	Shift lever	22
2.3	Degrees of risk and symbols	6	6.17	Foot brake lever	23
2.4	Tampering warning	6	6.18	Side stand	23
2.5	Safe operation	7	6.19	Steering lock	23
2.6	Protective clothing	7	6.20	Locking the steering	24
2.7	Work rules	7	6.21	Unlocking the steering	24
2.8	Environment	7	7	PREPARING FOR USE	25
2.9	Owner's Manual	7	7.1	Advice on first use	25
3	IMPORTANT NOTES	8	7.2	Running in the engine	26
3.1	Guarantee, warranty	8	8	RIDING INSTRUCTIONS	27
3.2	Operating and auxiliary substances	8	8.1	Checks and maintenance work when preparing for use	27
3.3	Spare parts, accessories	8	8.2	Starting	27
3.4	Service	8	8.3	Starting off	28
3.5	Figures	8	8.4	Shifting, riding	28
3.6	Customer service	8	8.5	Applying the brakes	28
4	VIEW OF VEHICLE	9	8.6	Stopping, parking	29
4.1	View of vehicle, front left (example)	9	8.7	Transport	29
4.2	View of vehicle, rear right (example)	10	8.8	Refueling	30
5	SERIAL NUMBERS	11	9	SERVICE SCHEDULE	31
5.1	Chassis number	11	9.1	Service schedule	31
5.2	Type label	11	9.2	Service work (as additional order)	32
5.3	Key number	11	10	TUNING THE CHASSIS	33
5.4	Engine number	11	10.1	Checking the basic chassis setting with the rider's weight	33
5.5	Fork part number	11	10.2	Compression damping of the shock absorber	33
5.6	Shock absorber part number	12	10.3	Adjusting the low-speed compression damping of the shock absorber	33
6	CONTROLS	13	10.4	Adjusting the high-speed compression damping of the shock absorber	34
6.1	Clutch lever	13	10.5	Adjusting the rebound damping of the shock absorber	34
6.2	Hand brake lever	13	10.6	Measuring rear wheel sag unloaded	35
6.3	Throttle grip	13	10.7	Checking the static sag of the shock absorber	35
6.4	Kill switch	13	10.8	Checking the riding sag of the shock absorber	36
6.5	Horn button	13	10.9	Adjusting the spring preload of the shock absorber 	36
6.6	Light switch	14	10.10	Adjusting the riding sag 	37
6.7	Electric starter button (Freeride 350 EU)	14	10.11	Checking the basic setting of the fork	37
6.8	Electric starter button (Freeride 350 AUS)	14	10.12	Adjusting the compression damping of the fork	38
6.9	Turn signal switch	14	10.13	Adjusting the rebound damping of the fork	38
6.10	Emergency OFF switch (Freeride 350 AUS)	14	10.14	Handlebar position	38
6.11	Overview of indicator lamps	15	10.15	Adjusting the handlebar position 	39
6.12	Speedometer	15	11	SERVICE WORK ON THE CHASSIS	40
6.12.1	Overview	15	11.1	Raising the motorcycle with the lift stand	40
6.12.2	Activation and test	15	11.2	Removing the motorcycle from the lift stand	40
6.12.3	Tripmaster switch	15	11.3	Bleeding the fork legs	40
6.12.4	Setting kilometers or miles	16	11.4	Cleaning the dust boots of the fork legs	41
6.12.5	Adjusting the speedometer functions	16	11.5	Removing the fork legs 	41
6.12.6	Setting the clock	17	11.6	Installing the fork legs 	42
6.12.7	Querying lap time	17	11.7	Removing the fork protector 	42
6.12.8	Display mode SPEED (speed)	17	11.8	Installing the fork protector 	43
6.12.9	Display mode SPEED/H (operating hours)	18	11.9	Removing the lower triple clamp 	43
6.12.10	Display mode SPEED/CLK (clock)	18	11.10	Installing the lower triple clamp 	44
6.12.11	Display mode SPEED/LAP (lap time)	18	11.11	Checking the steering head bearing play	45
6.12.12	Display mode SPEED/ODO (odometer)	19			
6.12.13	Display mode SPEED/TR1 (trip master 1)	19			
6.12.14	Display mode SPEED/TR2 (trip master 2)	19			
6.12.15	Display mode SPEED/A1 (average speed 1)	19			
6.12.16	Display mode SPEED/A2 (average speed 2)	20			
6.12.17	Display mode SPEED/S1 (stop watch 1)	20			
6.12.18	Display mode SPEED/S2 (stop watch 2)	20			





















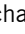


















11.12	Adjusting the play of the steering head bearing 	46	13	WHEELS, TIRES	74
11.13	Greasing the steering head bearing 	46	13.1	Removing the front wheel 	74
11.14	Removing the shock absorber 	47	13.2	Installing the front wheel 	74
11.15	Installing the shock absorber 	47	13.3	Removing the rear wheel 	75
11.16	Removing the front fender	47	13.4	Installing the rear wheel 	75
11.17	Installing the front fender	48	13.5	Checking the tire condition	76
11.18	Folding the seat up	48	13.6	Checking the tire air pressure.....	77
11.19	Locking the seat	48	13.7	Checking the spoke tension.....	77
11.20	Taking off the spoiler.....	48	14	ELECTRICAL SYSTEM	78
11.21	Mounting the spoiler	49	14.1	Removing the battery 	78
11.22	Removing the air filter housing 	49	14.2	Installing the battery 	78
11.23	Installing the air filter housing 	50	14.3	Recharging the battery 	79
11.24	Removing the air filter 	50	14.4	Changing the main fuse.....	80
11.25	Installing the air filter 	51	14.5	Changing the fuses of individual power consumers.....	80
11.26	Cleaning the air filter and air filter housing 	51	14.6	Removing the headlight mask with the headlight.....	82
11.27	Removing the main silencer	52	14.7	Refitting the headlight mask with the headlight.....	82
11.28	Installing the main silencer.....	52	14.8	Changing the headlight bulb	83
11.29	Changing the glass fiber yarn filling of the main silencer 	53	14.9	Changing the turn signal bulb	84
11.30	Removing the fuel tank 	53	14.10	Checking the headlight setting	84
11.31	Installing the fuel tank 	55	14.11	Adjusting the headlight range.....	84
11.32	Checking for chain dirt accumulation.....	56	14.12	Changing the speedometer battery.....	85
11.33	Cleaning the chain	56	15	COOLING SYSTEM	86
11.34	Checking the chain tension	57	15.1	Cooling system	86
11.35	Adjusting the chain tension.....	57	15.2	Checking the antifreeze and coolant level	86
11.36	Checking the chain, rear sprocket, engine sprocket and chain guide.....	58	15.3	Checking the coolant level	87
11.37	Adjusting the chain guide 	60	15.4	Draining the coolant 	87
11.38	Checking the frame 	60	15.5	Refilling coolant 	88
11.39	Checking the swingarm 	60	16	TUNING THE ENGINE.....	89
11.40	Checking the throttle cable routing	61	16.1	Checking the play in the throttle cable	89
11.41	Checking the rubber grip	61	16.2	Adjusting the play in the throttle cable 	89
11.42	Additionally securing the rubber grip.....	61	16.3	Adjusting the idle speed 	90
11.43	Adjusting the basic position of the clutch lever	62	16.4	Checking the basic position of the shift lever	90
11.44	Checking the fluid level of the hydraulic clutch.....	62	16.5	Adjusting the basic position of the shift lever 	90
11.45	Correcting the fluid level of the hydraulic clutch	62	17	SERVICE WORK ON THE ENGINE	91
11.46	Changing the hydraulic clutch fluid 	62	17.1	Changing the fuel screen 	91
11.47	Removing the engine guard.....	63	17.2	Checking the engine oil level.....	91
11.48	Installing the engine guard	64	17.3	Changing the engine oil and oil filter, cleaning the oil screen 	92
12	BRAKE SYSTEM	65	17.4	Adding engine oil.....	94
12.1	Checking the free travel of the hand brake lever	65	18	CLEANING, CARE	95
12.2	Adjusting the free travel of the handbrake lever	65	18.1	Cleaning the motorcycle	95
12.3	Checking the brake discs	65	18.2	Checks and maintenance steps for winter operation.....	96
12.4	Checking the brake fluid level of the front brake	66	19	STORAGE.....	97
12.5	Adding front brake fluid 	66	19.1	Storage	97
12.6	Checking the front brake linings	67	19.2	Preparing for use after storage.....	97
12.7	Changing the front brake linings 	67	20	TROUBLESHOOTING	98
12.8	Checking the free travel of foot brake lever	69	21	BLINK CODE	100
12.9	Adjusting the basic position of the foot brake lever 	69	22	TECHNICAL DATA.....	102
12.10	Checking the rear brake fluid level.....	70	22.1	Engine	102
12.11	Adding rear brake fluid 	70	22.2	Engine tightening torques	102
12.12	Checking the rear brake linings	71	22.3	Capacities	104
12.13	Changing the rear brake linings 	71	22.3.1	Engine oil	104
			22.3.2	Coolant.....	104
			22.3.3	Fuel	104
			22.4	Chassis	104
			22.5	Electrical system.....	105
			22.6	Tires	105

TABLE OF CONTENTS

22.7	Fork.....	105
22.8	Shock absorber.....	106
22.9	Chassis tightening torques	106
23	SUBSTANCES	108
24	AUXILIARY SUBSTANCES	110
25	STANDARDS	112
	INDEX.....	113

1.1 Symbols used

The meaning of specific symbols is described below.

	Indicates an expected reaction (e.g. of a work step or a function).
	Indicates an unexpected reaction (e.g. of a work step or a function).
	All work marked with this symbol requires specialist knowledge and technical understanding. In the interest of your own safety, have these jobs performed by an authorized KTM workshop. There, your motorcycle will be optimally cared for by specially trained experts using the specialist tools required.
	Indicates a page reference (more information is provided on the specified page).

1.2 Formats used

The typographical formats used in this document are explained below.

Specific name	Identifies a proprietary name.
Name[®]	Identifies a protected name.
Brand[™]	Identifies a brand available on the open market.

2.1 Use definition - intended use

KTM sport motorcycles are designed and built to withstand the normal stresses and strains of offroad use.



Info

The motorcycle is authorized for public road traffic in the homologous (reduced) version only. In the derestricted version, the motorcycle must be used only on closed off property remote from public road traffic. The motorcycle is designed for trial riding and difficult offroad terrain and not for motocross.

2.2 Safety advice

A number of safety instructions need to be followed to operate the vehicle safely. Therefore, read this manual carefully. The safety instructions are highlighted in the text and are referred to at the relevant passages.



Info

The vehicle has various information and warning labels at prominent locations. Do not remove information/warning labels. If they are missing, you or others may not recognize dangers and may therefore be injured.

2.3 Degrees of risk and symbols



Danger

Identifies a danger that will immediately and invariably lead to fatal or serious permanent injury if the appropriate measures are not taken.



Warning

Identifies a danger that is likely to lead to fatal or serious injury if the appropriate measures are not taken.



Caution

Identifies a danger that may lead to minor injuries if the appropriate measures are not taken.

Note

Identifies a danger that will lead to considerable machine and material damage if the appropriate measures are not taken.



Warning

Identifies a danger that will lead to environmental damage if the appropriate measures are not taken.

2.4 Tampering warning




Tampering with the noise control system is prohibited. Federal law prohibits the following acts or the causing thereof:

- 1 The removal or rendering inoperative by any person other than for purposes of maintenance, repair, or replacement, of any device or element of design incorporated into any new vehicle for the purpose of noise control prior to its sale or delivery to the ultimate purchaser or while it is in use, or
- 2 the use of the vehicle after such device or element of design has been removed or rendered inoperative by any person.

Among those acts presumed to constitute tampering are the acts listed below:

- 1 Removal or puncturing of the main silencer, baffles, header pipes or any other components which conduct exhaust gases.
- 2 Removal or puncturing of any part of the intake system.
- 3 Lack of proper maintenance.
- 4 Replacing any moving part of the vehicle, or parts of the exhaust or intake system, with parts other than those specified by the manufacturer.

2.5 Safe operation

-  **Danger**
Danger of accidents Danger arising from the rider's judgement being impaired.
- Do not operate the vehicle while under the influence of alcohol, drugs and certain medications or physically or mentally impaired.
-  **Danger**
Danger of poisoning Exhaust gases are toxic and inhaling them may result in unconsciousness and/or death.
- When running the engine, always make sure there is sufficient ventilation, and do not start or run the engine in an enclosed space without an effective exhaust extraction system.
-  **Warning**
Danger of burns Some vehicle components become very hot when the vehicle is operated.
- Do not touch hot components such as exhaust system, radiator, engine, shock absorber, and the brake system. Allow these components to cool down before starting work on them.


Only operate the vehicle when it is in perfect technical condition, in accordance with its intended use, and in a safe and environmentally compatible manner.

An appropriate driver's license is needed to ride the vehicle on public roads.

Have malfunctions that impair safety promptly eliminated by an authorized KTM workshop.

Adhere to the information and warning labels on the vehicle.

2.6 Protective clothing

-  **Warning**
Risk of injury Missing or poor protective clothing presents an increased safety risk.
- Wear protective clothing (helmet, boots, gloves, pants and jacket with protectors) every time you ride the vehicle. Always wear protective clothing that is in good condition and meets the legal requirements.

In the interest of your own safety, KTM recommends that you only operate the vehicle while wearing protective clothing.

2.7 Work rules

Special tools are necessary for certain tasks. The tools are not contained in the vehicle but can be ordered under the number in parentheses. E.g.: bearing puller (15112017000)

During assembly, non-reusable parts (e.g. self-locking screws and nuts, seals and seal rings, O-rings, pins, lock washers) must be replaced by new parts.

In some instances, a thread locker (e.g. **Loctite**®) is required. The manufacturer instructions for use must be followed.

After disassembly, clean the parts that are to be reused and check them for damage and wear. Change damaged or worn parts.

After you complete the repair or service work, check the operating safety of the vehicle.

2.8 Environment

If you use your motorcycle responsibly, you can ensure that problems and conflicts do not occur. To protect the future of the motorcycle sport, make sure that you use your motorcycle legally, display environmental consciousness, and respect the rights of others.

When disposing of used oil, other operating and auxiliary fluids, and used components, comply with the laws and regulations of the respective country.

Because motorcycles are not subject to the EU regulations governing the disposal of used vehicles, there are no legal regulations that pertain to the disposal of an end-of-life motorcycle. Your authorized KTM dealer will be glad to advise you.

2.9 Owner's Manual

It is important that you read this Owner's Manual carefully and completely before making your first trip. The Owner's Manual contains useful information and many tips on how to operate, handle, and maintain your motorcycle. Only then will you find out how to customize the vehicle ideally for your own use and how you can protect yourself from injury.

Keep the Owner's Manual in an accessible place to enable you to refer to it as needed.

If you would like to know more about the vehicle or have questions on the material you read, please contact an authorized KTM dealer. The Owner's Manual is an important component of the vehicle and should be handed over to the new owner if the vehicle is sold.

3.1 Guarantee, warranty

The work prescribed in the service schedule must be carried out by an authorized KTM workshop only and confirmed in the customer's service record and in the **KTM dealer.net**; otherwise, all warranty claims will be void. No warranty claims can be considered for damage resulting from manipulations and/or alterations to the vehicle.

Additional information on the guarantee or warranty and the procedures involved can be found in the service record.

3.2 Operating and auxiliary substances



Warning

Environmental hazard Improper handling of fuel is a danger to the environment.

- Do not allow fuel to get into the ground water, the ground, or the sewage system.

Use operating and auxiliary substances (such as fuel and lubricants) as specified in the Owner's Manual.

3.3 Spare parts, accessories

For your own safety, only use spare parts and accessory products that are approved and/or recommended by KTM and have them installed by an authorized KTM workshop. KTM accepts no liability for other products and any resulting damage or loss. Certain spare parts and accessory products are specified in parentheses in the descriptions. Your KTM dealer will be glad to advise you.

The current **KTM PowerParts** for your vehicle can be found on the KTM website.

International KTM Website: <http://www.ktm.com>

3.4 Service

A prerequisite for perfect operation and prevention of premature wear is that the service, care, and tuning work on the engine and chassis is properly carried out as described in the Owner's Manual. Incorrect adjustment and tuning of the engine and chassis can lead to damage and breakage of components.

Use of the vehicle under difficult conditions, such as on sand or on wet and muddy surfaces, can lead to considerably more rapid wear of components such as the drive train, brake system, or suspension components. For this reason, it may be necessary to inspect or replace parts before the next scheduled service.

It is imperative that you adhere to the stipulated run-in times and service intervals. If you observe these exactly, you will ensure a much longer service life for your motorcycle.

3.5 Figures

The figures contained in the manual may depict special equipment.

In the interest of clarity, some components may be shown disassembled or may not be shown at all. It is not always necessary to disassemble the component to perform the activity in question. Please follow the instructions in the text.

3.6 Customer service

Your authorized KTM dealer will be happy to answer any questions you may have on your vehicle and KTM.

A list of authorized KTM dealers can be found on the KTM website.

International KTM Website: <http://www.ktm.com>

4.1 View of vehicle, front left (example)



B01011-10

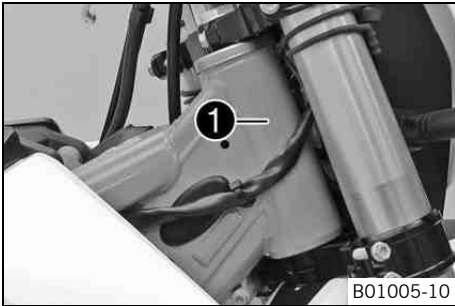
1	Speedometer
2	Clutch lever (☛ p. 13)
3	Filler cap
4	Seat
5	Seat release
6	Shock absorber compression adjustment
7	Shock absorber rebound adjustment
8	Side stand (☛ p. 23)
9	Battery
10	Shift lever (☛ p. 22)
11	Idle speed adjusting screw (☛ p. 22)
12	Steering lock (☛ p. 23)

4.2 View of vehicle, rear right (example)



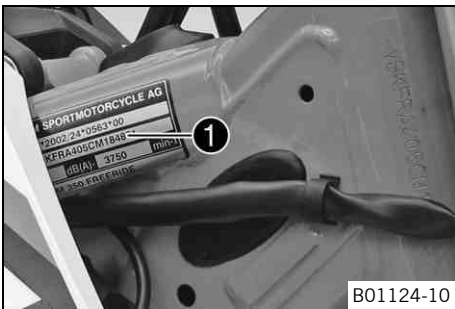
- | | |
|---|------------------------------------|
| 1 | Kill switch (☛ p. 13) |
| 1 | Horn button (☛ p. 13) |
| 1 | Light switch (☛ p. 14) |
| 1 | Turn signal switch (☛ p. 14) |
| 2 | Electric starter button (☛ p. 14) |
| 3 | Throttle grip (☛ p. 13) |
| 4 | Hand brake lever (☛ p. 13) |
| 5 | Fork rebound adjustment |
| 6 | Fork compression adjustment |
| 7 | Foot brake lever (☛ p. 23) |
| 8 | Level viewer for brake fluid, rear |

5.1 Chassis number



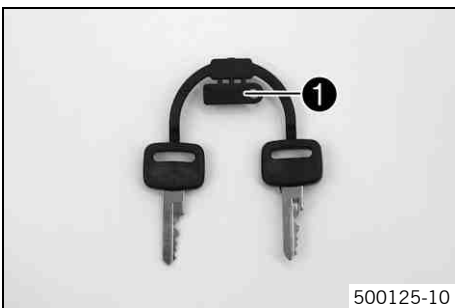
The chassis number ❶ is stamped on the right side of the steering head.

5.2 Type label



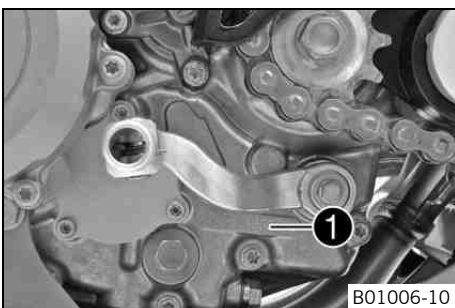
The type label ❶ is fixed to the frame at the front right.

5.3 Key number



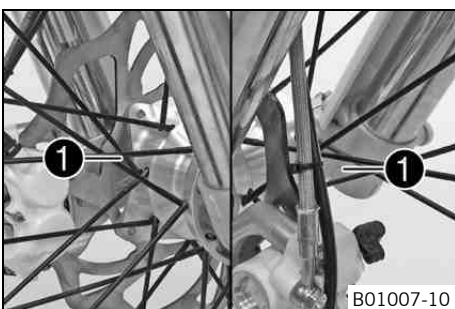
The key number ❶ for the steering lock is stamped onto the key connector.

5.4 Engine number



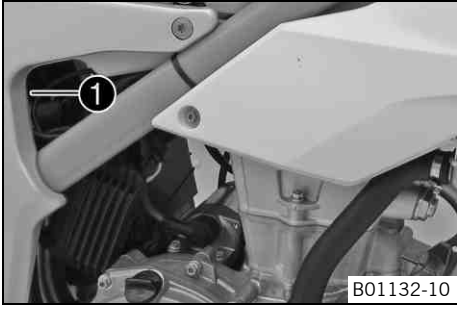
The engine number ❶ is stamped on the left side of the engine under the engine sprocket.

5.5 Fork part number



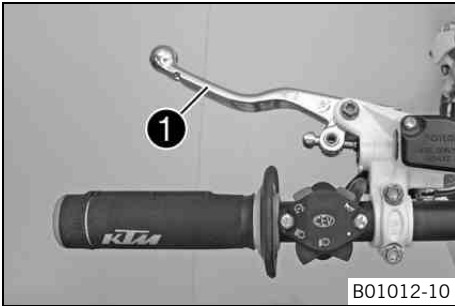
The fork part number ❶ is stamped on the inner side of the axle clamp.

5.6 Shock absorber part number



The shock absorber part number ❶ is stamped on the top of the shock absorber above the adjusting ring on the engine side.

6.1 Clutch lever



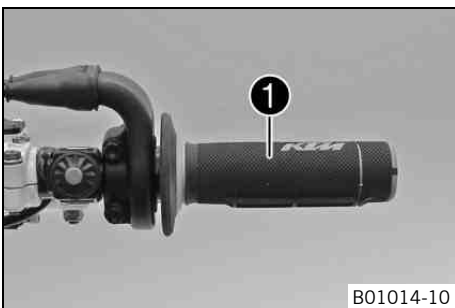
The clutch lever ❶ is fitted on the left side of the handlebar. The clutch is hydraulically operated and self-adjusting.

6.2 Hand brake lever



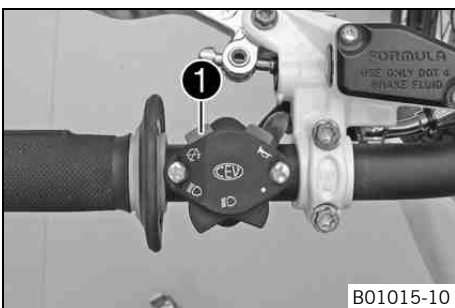
Hand brake lever ❶ is located on the right side of the handlebar. The front brake is engaged using the hand brake lever.

6.3 Throttle grip



The throttle grip ❶ is fitted on the right side of the handlebar.

6.4 Kill switch

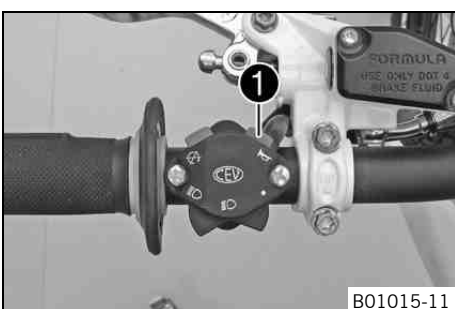


Kill switch ❶ is fitted on the left side of the handlebar.

Possible states

- Kill switch ☒ in basic position – In this position, the ignition circuit is closed and the engine can be started.
- Kill switch ☒ pressed – In this position, the ignition circuit is interrupted, a running engine stops, and a non-running engine will not start.

6.5 Horn button

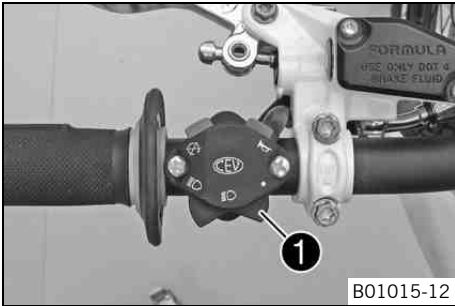


The horn button ❶ is fitted on the left side of the handlebar.

Possible states

- Horn button ☒ in neutral position
- Horn button ☒ pressed – The horn is operated in this position.

6.6 Light switch



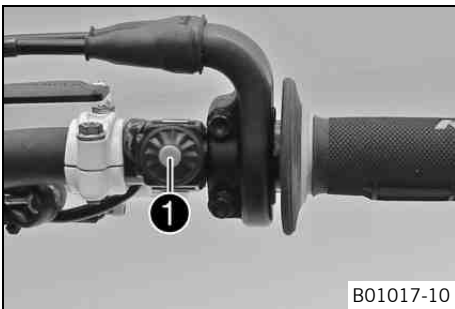
B01015-12

The light switch ❶ is fitted on the left side of the handlebar.

Possible states

●	Light off – Light switch is turned to the right. In this position, the light is switched off.
☰	Low beam on – Light switch is in the central position. In this position, the low beam and tail light are switched on.
☷	High beam on – Light switch is turned to the left. In this position, the high beam and the tail light are switched on.

6.7 Electric starter button (Freeride 350 EU)



B01017-10

Electric starter button ❶ is fitted on the right side of the handlebar.

Possible states

- Electric starter button ❶ in basic position
- Electric starter button ❶ pressed – In this position, the electric starter is actuated.

6.8 Electric starter button (Freeride 350 AUS)



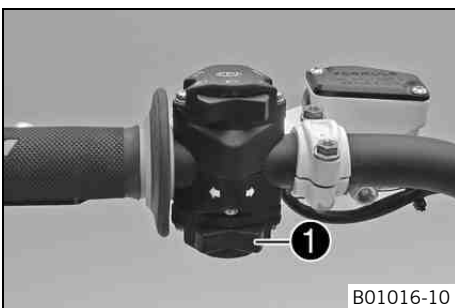
B01240-11

Electric starter button ❶ is fitted on the right side of the handlebar.

Possible states

- Electric starter button ❶ in basic position
- Electric starter button ❶ pressed – In this position, the electric starter is actuated.

6.9 Turn signal switch



B01016-10

Turn signal switch ❶ is fitted on the left side of the handlebar.

Possible states

	Turn signal light off – Turn signal switch is in the central position.
←	Turn signal light, left, on – Turn signal switch is turned to the left.
→	Turn signal light, right, on – Turn signal switch is turned to the right.

6.10 Emergency OFF switch (Freeride 350 AUS)



B01240-10

The emergency OFF switch ❶ is fitted on the right side of the handlebar.

Possible states

⊗	Ignition off – In this position, the ignition circuit is interrupted, a running engine stops, and a non-running engine will not start.
⊘	Ignition on – In this position, the ignition circuit is closed and the engine can be started.

6.11 Overview of indicator lamps



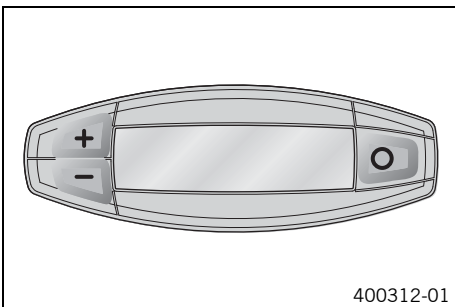
B01018-01

Possible states

	The high beam indicator lamp lights up blue – The high beam is switched on.
	Turn signal indicator light flashes green – The turn signal is switched on.
	FI warning lamp (MIL) lights up/flashes orange – The OBD (on-board diagnosis) has detected an emission- or safety-critical error.
	The fuel level warning lamp lights up orange – The fuel level has reached the reserve mark.

6.12 Speedometer

6.12.1 Overview

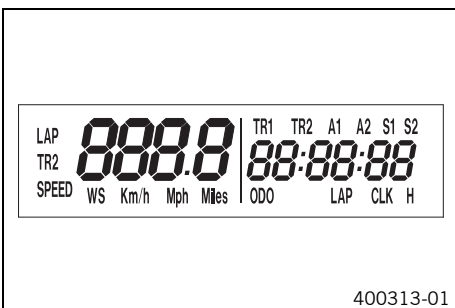


400312-01

- Press the button to change the display mode or change to one of the Setup menus.
- Press the button to control different functions.
- Press the button to control different functions.

i Info
When the vehicle is delivered, only the **SPEED/H** and **SPEED/ODO** display modes are activated.

6.12.2 Activation and test



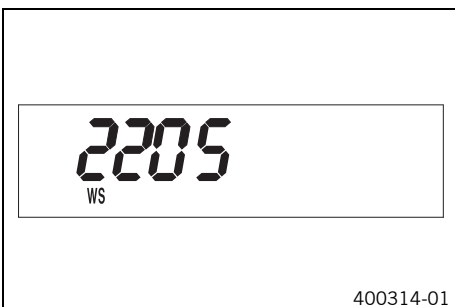
400313-01

Activating the speedometer

The speedometer is activated when one of the buttons is pressed or an impulse comes from the wheel speed sensor.

Display test

To enable you to check that the display is functioning properly, all display segments light up briefly.



400314-01

WS (wheel size)

After the display function check, the wheel size **WS** is displayed briefly.

i Info
The number 2205 equals the circumference of the 21" front wheel with standard tires.

The display then changes to the last selected mode.

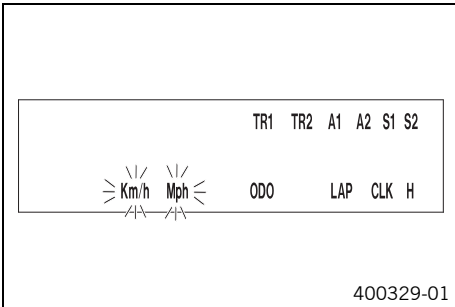
6.12.3 Tripmaster switch

You can use the trip master switch to control the functions of the speedometer from the handlebar.

i Info
The trip master is an optional accessory.

6.12.4 Setting kilometers or miles

i Info
If you change the unit of measure, the **ODO** value is retained and converted accordingly. The values **TR1**, **TR2**, **A1**, **A2** and **S1** are cleared when the unit of measure is changed.



Condition

The motorcycle is stationary.

- Press the button briefly and repeatedly until **H** appears at the bottom right of the display.
- Press the button for 3 - 5 seconds.
 - ✓ The Setup menu is displayed and the active functions are shown.
- Press the button repeatedly until the **Km/h/Mph** display flashes.

Adjusting Km/h

- Press the button .

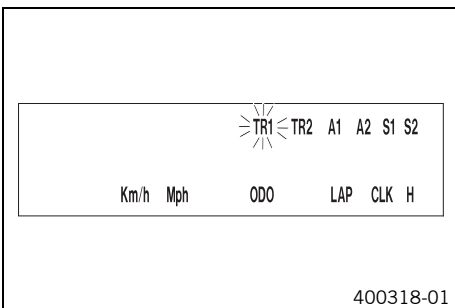
Adjusting Mph

- Press the button .
- Press the button for 3 - 5 seconds.
 - ✓ The settings are stored and the Setup menu is closed.

i Info
If no button is pressed for 20 seconds, or if no impulse comes from the wheel speed sensor, the settings are automatically saved and the Setup menu is closed.

6.12.5 Adjusting the speedometer functions

i Info
When the vehicle is delivered, only the **SPEED/H** and **SPEED/ODO** display modes are activated.



Condition

The motorcycle is stationary.

- Press the button briefly and repeatedly until **H** appears at the bottom right of the display.
- Press the button for 3 - 5 seconds.
 - ✓ The Setup menu is displayed and the activated functions are shown.
- Change to the desired function by pressing the button briefly.
 - ✓ The selected function flashes.

Activating a function

- Press the button .
 - ✓ The symbol remains on the screen and the display changes to the next function.

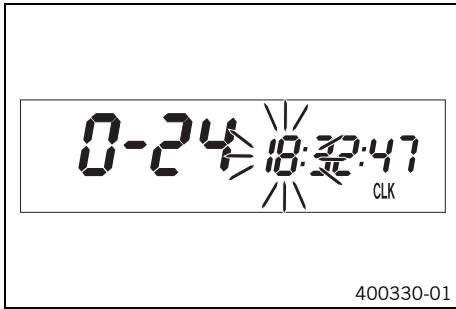
Deactivating the function

- Press the button .
 - ✓ The symbol on the screen goes out and the display changes to the next function.

- All desired functions are activated or deactivated accordingly.
- Press the button for 3 - 5 seconds.
 - ✓ The settings are stored and the Setup menu is closed.

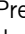
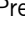





i Info
If no button is pressed for 20 seconds, or if no impulse comes from the wheel speed sensor, the settings are automatically saved and the Setup menu is closed.

6.12.6 Setting the clock




Condition

The motorcycle is stationary.

- Press the button  briefly and repeatedly until **CLK** appears at the bottom right of the display.
- Press the button  for 3 - 5 seconds.
 - ✓ The hour display flashes.
- Set the hour display with the button  and/or button .
- Press the button  briefly.
 - ✓ The next segment of the display flashes and can be set.
- You can set the following segments in the same way as the hours by pressing the button  and the button .

Info


The seconds can only be set to zero.

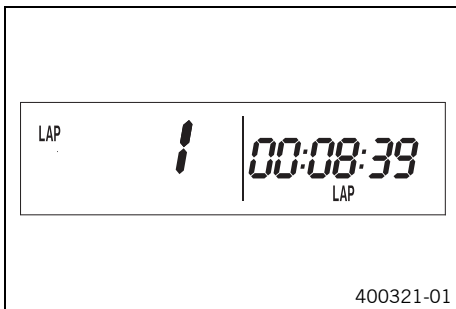
- Press the button  for 3 - 5 seconds.
 - ✓ The settings are stored and the Setup menu is closed.

Info

If no button is pressed for 20 seconds, or if no impulse comes from the wheel speed sensor, the settings are automatically saved and the Setup menu is closed.






6.12.7 Querying lap time

 **Info**
This function can be called up only if lap times are measured.



Condition

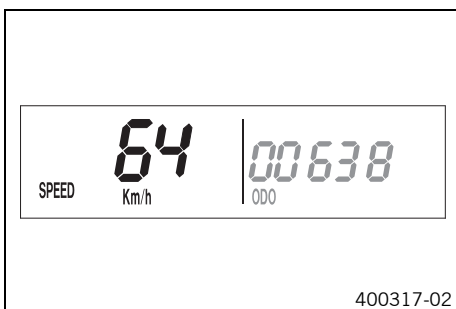
The motorcycle is stationary.


- Press the button  briefly and repeatedly until **LAP** appears at the bottom right of the display.
- Press the button  briefly.
 - ✓ **LAP 1** appears on the left side of the display.
- Laps 1-10 can be displayed by pressing the button .
- The button  has no function.
- Press the button  briefly.
 - ✓ Next display mode

Info

If an impulse is received from the wheel speed sensor, the left side of the display changes back to the **SPEED** mode.

6.12.8 Display mode SPEED (speed)



- Press the button  briefly and repeatedly until **SPEED** appears on the left side of the display.

The current speed is displayed in the **SPEED** display mode.

The current speed can be displayed in **Km/h** or **Mph**.

Info

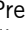
Making the setting according to the country.

When an impulse comes from the front wheel, the left side of the speedometer display changes to the **SPEED** mode and the current speed is shown.

6.12.9 Display mode SPEED/H (operating hours)







Condition

- The motorcycle is stationary.
- Press the button  briefly and repeatedly until **H** appears at the bottom right of the display.

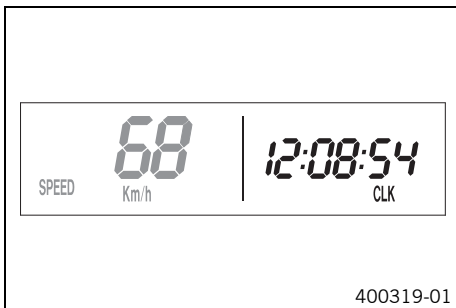
In display mode **H**, the operating hours of the engine are displayed. The operating hours counter stores the total traveling time.

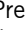
Info

The operating hour counter is necessary for ensuring that service work is carried out at the right intervals. If the speedometer is in **H** display mode at the start of the journey, it automatically changes to the **ODO** display mode. The **H** display mode is suppressed during the journey.





Press the button  .	No function
Press the button  .	No function
Press the button  for 3 - 5 seconds.	The display changes to the Setup menu of the speedometer functions.
Press the button  briefly.	Next display mode

6.12.10 Display mode SPEED/CLK (clock)

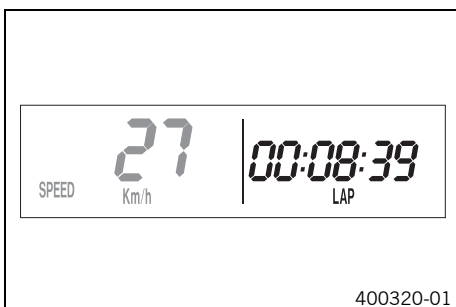



- Press the button  briefly and repeatedly until **CLK** appears at the bottom right of the display.

The time is displayed in **CLK** display mode.

Press the button  .	No function
Press the button  .	No function
Press the button  for 3 - 5 seconds.	The display changes to the Setup menu of the clock.
Press the button  briefly.	Next display mode

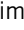
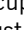
6.12.11 Display mode SPEED/LAP (lap time)




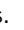


- Press the button  briefly and repeatedly until **LAP** appears at the bottom right of the display.

In the **LAP** display mode, up to 10 lap times can be timed with the stop watch.

Info

If the lap time continues after you press the button , 9 memory locations are already occupied. Lap 10 must be timed with the button .

Press the button  .	Starts or stops the clock.
Press the button  .	Stops the current lap time and saves it, and the stop watch starts the next lap.
Press the button  for 3 - 5 seconds.	The stop watch and the lap time are reset.
Press the button  briefly.	Next display mode

6.12.12 Display mode SPEED/ODO (odometer)

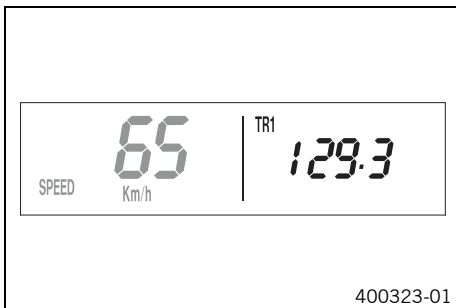


- Press the button briefly and repeatedly until **ODO** appears at the bottom right of the display.

The total distance traveled is displayed in the **ODO** display mode.

Press the button .	No function
Press the button .	No function
Press the button for 3 - 5 seconds.	–
Press the button briefly.	Next display mode

6.12.13 Display mode SPEED/TR1 (trip master 1)



- Press the button briefly and repeatedly until **TR1** appears at the top right of the display.

TR1 (trip master 1) runs constantly and counts to 999.9.

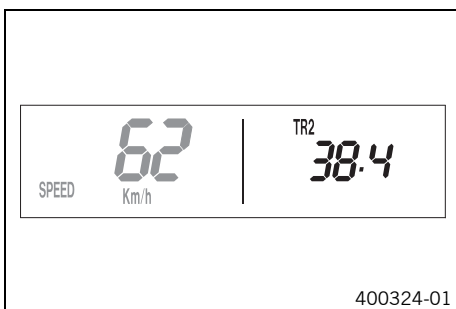
You can use it to measure trips or the distance between refueling stops.

TR1 is coupled with **A1** (average speed 1) and **S1** (stop watch 1).

i Info
If 999.9 is exceeded, the values of **TR1**, **A1** and **S1** are automatically reset to 0.0.

Press the button .	No function
Press the button .	No function
Press the button for 3 - 5 seconds.	The TR1 , A1 and S1 displays are reset to 0.0.
Press the button briefly.	Next display mode

6.12.14 Display mode SPEED/TR2 (trip master 2)



- Press the button briefly and repeatedly until **TR2** appears at the top right of the display.

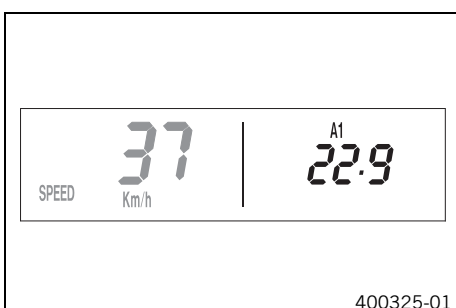
TR2 (trip master 2) runs constantly and counts up to 999.9.

The displayed value can be set manually with the button and the button . This is a very practical function when riding using the road book.

i Info
The **TR2** value can also be corrected manually during the journey with the button and the button .
If 999.9 is exceeded, the value of **TR2** is automatically reset to 0.0.

Press the button .	Increases value of TR2 .
Press the button .	Reduces value of TR2 .
Press the button for 3 - 5 seconds.	Deletes value of TR2 .
Press the button briefly.	Next display mode

6.12.15 Display mode SPEED/A1 (average speed 1)




- Press the button briefly and repeatedly until **A1** appears at the top right of the display.

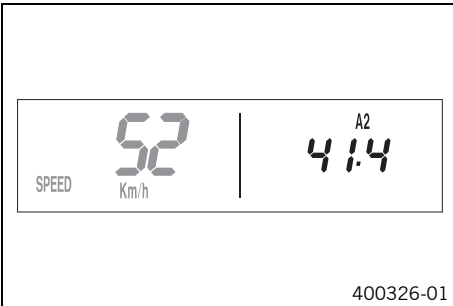
A1 (average speed 1) shows the average speed calculated on the basis of **TR1** (trip master 1) and **S1** (stop watch 1).


The calculation of this value is activated by the first impulse of the wheel speed sensor and ends 3 seconds after the last impulse.

Press the button .	No function
Press the button .	No function
Press the button for 3 - 5 seconds.	The TR1 , A1 and S1 displays are reset to 0.0.

Press the button  briefly.	Next display mode
---	-------------------





6.12.16 Display mode SPEED/A2 (average speed 2)



- Press the button  briefly and repeatedly until **A2** appears at the top right of the display.


A2 (average speed 2) shows the average speed on the basis of the current speed if the stop watch **S2** (stop watch 2) is running.

i Info
The displayed value can differ from the actual average speed if **S2** is not stopped after the ride.

Press the button  .	No function
Press the button  .	No function
Press the button  for 3 - 5 seconds.	–
Press the button  briefly.	Next display mode





6.12.17 Display mode SPEED/S1 (stop watch 1)



- Press the button  briefly and repeatedly until **S1** appears at the top right of the display.


S1 (stop watch 1) displays the journey time on the basis of **TR1** and continues when an impulse is received from the wheel speed sensor.

The calculation of this value starts with the first impulse of the wheel speed sensor and ends 3 seconds after the last impulse.

Press the button  .	No function
Press the button  .	No function
Press the button  for 3 - 5 seconds.	Displays of TR1 , A1 and S1 are reset to 0.0.
Press the button  briefly.	Next display mode





6.12.18 Display mode SPEED/S2 (stop watch 2)



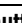



- Press the button  briefly and repeatedly until **S2** appears at the top right of the display.





S2 (stop watch 2) is a manual stop watch.

If **S2** is running in the background, the **S2** display flashes in the speedometer display.

Press the button  .	Starts or stops S2 .
Press the button  .	No function
Press the button  for 3 - 5 seconds.	Displays of S2 and A2 are reset to 0.0.
Press the button  briefly.	Next display mode

6.12.19 Table of functions

Display	Press the button  .	Press the button  .	Press the button  for 3 - 5 seconds.	Press the button  briefly.
Display mode SPEED/H (operating hours)	No function	No function	The display changes to the Setup menu of the speedometer functions.	Next display mode
Display mode SPEED/CLK (clock)	No function	No function	The display changes to the Setup menu of the clock.	Next display mode

Display	Press the button  .	Press the button  .	Press the button  for 3 - 5 seconds.	Press the button  briefly.
Display mode SPEED/LAP (lap time)	Starts or stops the clock.	Stops the current lap time and saves it, and the stop watch starts the next lap.	The stop watch and the lap time are reset.	Next display mode
Display mode SPEED/ODO (odometer)	No function	No function	–	Next display mode
Display mode SPEED/TR1 (trip master 1)	No function	No function	The TR1 , A1 and S1 displays are reset to 0.0.	Next display mode
Display mode SPEED/TR2 (trip master 2)	Increases value of TR2 .	Reduces value of TR2 .	Deletes value of TR2 .	Next display mode
Display mode SPEED/A1 (average speed 1)	No function	No function	The TR1 , A1 and S1 displays are reset to 0.0.	Next display mode
Display mode SPEED/A2 (average speed 2)	No function	No function	–	Next display mode
Display mode SPEED/S1 (stop watch 1)	No function	No function	Displays of TR1 , A1 and S1 are reset to 0.0.	Next display mode
Display mode SPEED/S2 (stop watch 2)	Starts or stops S2 .	No function	Displays of S2 and A2 are reset to 0.0.	Next display mode


6.12.20 Table of conditions and menu activation

Display	The motorcycle is stationary.	Menu can be activated
Display mode SPEED/H (operating hours)	•	
Display mode SPEED/CLK (clock)		•
Display mode SPEED/LAP (lap time)		•
Display mode SPEED/TR1 (trip master 1)		•
Display mode SPEED/TR2 (trip master 2)		•
Display mode SPEED/A1 (average speed 1)		•
Display mode SPEED/A2 (average speed 2)		•
Display mode SPEED/S1 (stop watch 1)		•
Display mode SPEED/S2 (stop watch 2)		•


6.13 Opening the filler cap

 **Danger**
Fire hazard Fuel is highly flammable.

- Never refuel the vehicle near open flames or burning cigarettes, and always switch off the engine first. Be careful that no fuel is spilt, especially on hot vehicle components. Clean up spilt fuel immediately.
- Fuel in the fuel tank expands when warm and can escape if the tank is overfilled. See the notes on refueling.

 **Warning**
Danger of poisoning Fuel is poisonous and a health hazard.

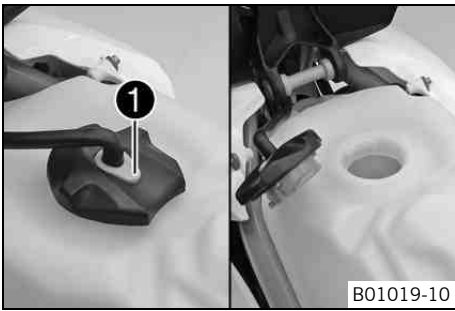
- Avoid contact between fuel and skin, eyes and clothing. Do not inhale fuel vapors. If fuel gets into your eyes, rinse immediately with water and contact a doctor. Wash affected skin areas immediately with soap and water. If fuel is swallowed, contact a doctor immediately. Change clothing that has come into contact with fuel. Store fuel in a suitable canister according to regulations and keep it out of the reach of children.

 **Warning**
Environmental hazard Improper handling of fuel is a danger to the environment.

- Do not allow fuel to get into the ground water, the ground, or the sewage system.

Preparatory work

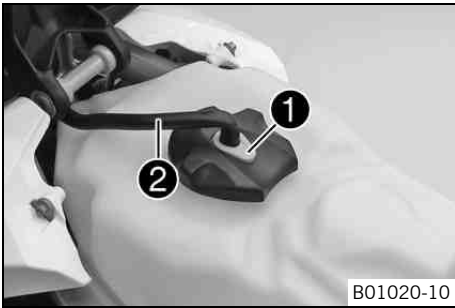
- Fold the seat up. (👉 p. 48)



Main work

- Press release button ❶, turn the filler cap counterclockwise, and lift it free.

6.14 Closing the filler cap



Main work

- Replace the filler cap and turn clockwise until the release button ❶ locks in place.



Info

Run the fuel tank breather hose ❷ without kinks.

Finishing work

- Lock the seat. (☛ p. 48)

6.15 Idle speed adjusting screw



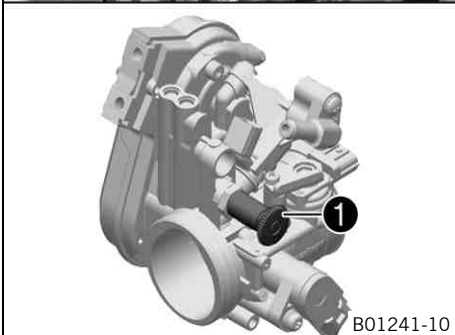
Idle speed adjusting screw ❶ is located on the throttle valve body at the top left. The idle speed adjusting screw has two functions.

Turning it controls the idle speed.

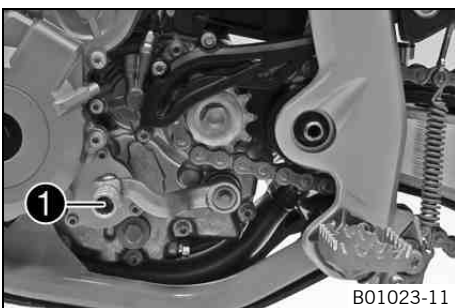
Pulling it out all the way raises the idle speed during a cold start.

Possible states

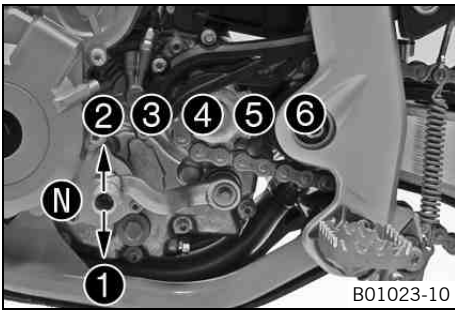
- RPM increase activated – Idle speed adjusting screw is pulled out all the way.
- RPM increase deactivated – Idle speed adjusting screw is pushed in all the way.



6.16 Shift lever

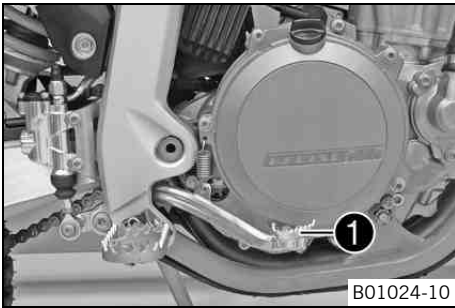


Shift lever ❶ is mounted on the left side of the engine.



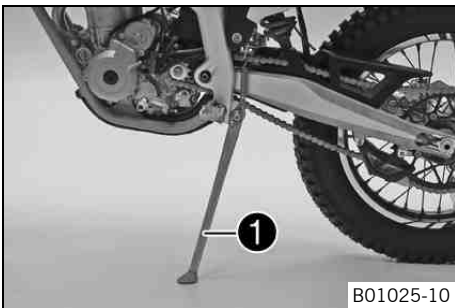
The gear positions can be seen in the photograph.
The neutral or idle position is between the first and second gears.

6.17 Foot brake lever

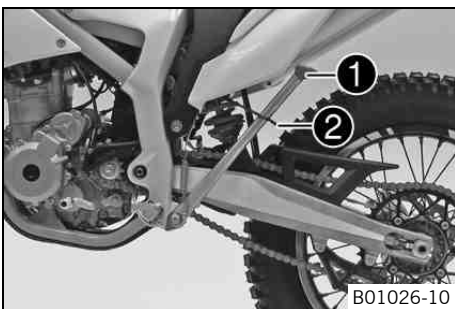


Foot brake lever ❶ is located in front of the right footrest.
The foot brake lever is used to activate the rear brake.

6.18 Side stand



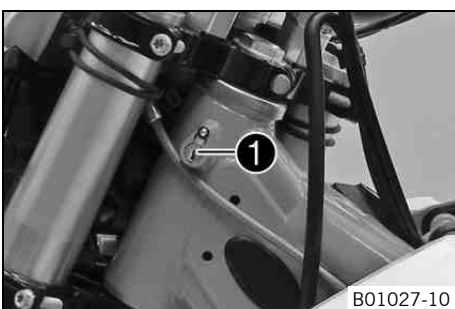
The side stand ❶ is on the left side of the vehicle.



The side stand is used to park the motorcycle.

i Info
When you are riding, side stand ❶ must be folded up and secured with rubber band ❷.

6.19 Steering lock



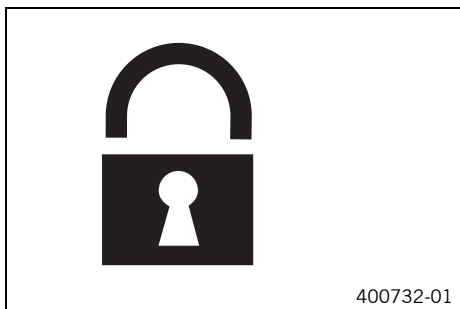
Steering lock ❶ is fitted on the left side of the steering head.
The steering lock is used to lock the steering. Steering, and therefore riding, is no longer possible.

6.20 Locking the steering

Note

Danger of damage The parked vehicle may roll away or fall over.

- Always place the vehicle on a firm and even surface.



- Park the vehicle.
 - Turn the handlebar as far as possible to the right.
 - Insert the key in the steering lock, turn it to the left, press it in, and turn it to the right. Remove the key.
- ✓ Steering is no longer possible.



Info

Never leave the key in the steering lock.

6.21 Unlocking the steering



- Insert the key in the steering lock, turn it to the left, pull it out, and turn it to the right. Remove the key.
- ✓ You can now steer the bike again.



Info

Never leave the key in the steering lock.

7.1 Advice on first use



Danger

Danger of accidents Danger arising from the rider's judgement being impaired.

- Do not operate the vehicle while under the influence of alcohol, drugs and certain medications or physically or mentally impaired.



Warning

Risk of injury Missing or poor protective clothing presents an increased safety risk.

- Wear protective clothing (helmet, boots, gloves, pants and jacket with protectors) every time you ride the vehicle. Always wear protective clothing that is in good condition and meets the legal requirements.



Warning

Danger of crashing Poor vehicle handling due to different tire tread patterns on front and rear wheels.

- The front and rear wheels must be fitted with tires with similar tread patterns to prevent loss of control over the vehicle.



Warning

Danger of accidents Critical riding behavior due to inappropriate riding.

- Adapt your riding speed to the road conditions and your riding ability.



Warning

Danger of accidents Accident risk caused by presence of a passenger.

- Your vehicle is not designed to carry passengers. Do not ride with a passenger.



Warning

Danger of accidents Failure of brake system.

- If the foot brake lever is not released, the brake linings drag continuously. The rear brake may fail due to overheating. Take your foot off the foot brake lever when you are not braking.



Warning

Danger of accidents Unstable riding behavior.

- Do not exceed the maximum permissible weight and axle loads.



Warning

Risk of misappropriation Usage by unauthorized persons.

- Never leave the vehicle while the engine is running. Secure the vehicle against use by unauthorized persons.



Info

When using your motorcycle, remember that others may feel disturbed by excessive noise.

- Make sure that the pre-delivery inspection work has been carried out by an authorized KTM workshop.
 - ✓ You receive a delivery certificate and the service record at vehicle handover.
- Before your first trip, read the entire operating instructions carefully.
- Get to know the controls.
- Adjust the basic position of the clutch lever. (☞ p. 62)
- Adjust the free travel of the handbrake lever. (☞ p. 65)
- Adjust the basic position of the foot brake lever. ☞ (☞ p. 69)
- Adjust the basic position of the shift lever. ☞ (☞ p. 90)
- Get used to handling the motorcycle on a suitable piece of land before making a longer trip.



Info

Offroad, you should be accompanied by another person on another machine so that you can help each other.

- Try also to ride as slowly as possible and in a standing position to get a better feeling for the vehicle.
- Do not make any offroad trips that over-stress your ability and experience.
- Hold the handlebar firmly with both hands and keep your feet on the footrests when riding.
- If you carry any baggage, make sure it is fixed firmly as close as possible to the center of the vehicle and ensure even weight distribution between the front and rear wheels.

**Info**

Motorcycles react sensitively to any changes of weight distribution.

- Do not exceed the overall maximum permitted weight and the axle loads.

Guideline

Maximum permissible overall weight	280 kg (617 lb.)
Maximum permissible front axle load	135 kg (298 lb.)
Maximum permissible rear axle load	175 kg (386 lb.)

- Run the engine in. (🔧 p. 26)

7.2 Running in the engine

- During the running-in phase, do not exceed the specified engine speed and engine performance.

Guideline

Maximum engine speed	
During the first operating hour	7,000 rpm
Maximum engine performance	
During the first 3 operating hours	≤ 75 %

- Avoid fully opening the throttle!

8.1 Checks and maintenance work when preparing for use



Info

Before riding the vehicle, always check its condition and operating safety. The vehicle must be in perfect technical condition when used.

- Check the engine oil level. (☞ p. 91)
- Check the electrical system.
- Check the brake fluid level of the front brake. (☞ p. 66)
- Check the rear brake fluid level. (☞ p. 70)
- Check the front brake linings. (☞ p. 67)
- Check the rear brake linings. (☞ p. 71)
- Check that the brake system is functioning properly.
- Check the coolant level. (☞ p. 87)
- Check for chain dirt accumulation. (☞ p. 56)
- Check the chain, rear sprocket, engine sprocket and chain guide. (☞ p. 58)
- Check the chain tension. (☞ p. 57)
- Check the tire condition. (☞ p. 76)
- Check the tire air pressure. (☞ p. 77)
- Check the spoke tension. (☞ p. 77)
- Clean the dust boots of the fork legs. (☞ p. 41)
- Bleed the fork legs. (☞ p. 40)
- Check the air filter.
- Check the settings of all controls and ensure that they can be operated smoothly.
- Check all screws, nuts, and hose clamps regularly for tightness.
- Check the fuel supply.

8.2 Starting



Danger

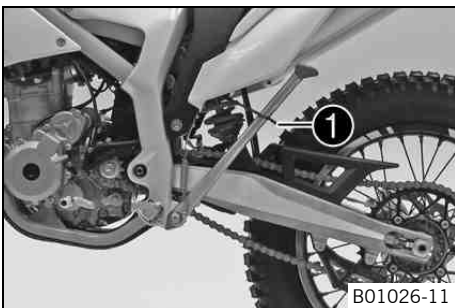
Danger of poisoning Exhaust gases are toxic and inhaling them may result in unconsciousness and/or death.

- When running the engine, always make sure there is sufficient ventilation, and do not start or run the engine in an enclosed space without an effective exhaust extraction system.

Note

Engine failure High engine speeds in cold engines have a negative effect on the service life of the engine.

- Always warm up the engine at low engine speeds.



B01026-11

- Raise the motorcycle off of the stand and secure the stand with the rubber band ❶.
- Shift gear to neutral.

(Freeride 350 AUS)

- Press the emergency OFF switch into the position ○.

Condition

Ambient temperature: < 20 °C (< 68 °F)

- Pull the idle speed adjusting screw all the way out.

(Freeride 350 EU)

- Press the electric starter button ☞.

(Freeride 350 AUS)

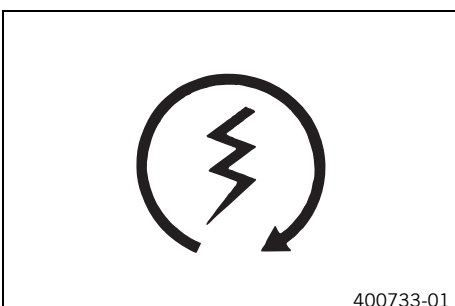
- Press the electric starter button ☞.



Info

Press the electric starter button for at most 5 seconds. Wait for a least 5 seconds before trying again.

FI warning lamp lights up briefly as a functional control when starting.



400733-01

8.3 Starting off



Info

If your bike has lights, switch them on before riding. You will then be seen earlier by other motorists. When you are riding, the side stand must be folded up and secured with the rubber band.

- Pull the clutch lever, engage 1st gear, release the clutch lever slowly and simultaneously open the throttle carefully.

8.4 Shifting, riding



Warning

Danger of accidents If you change down at high engine speed, the rear wheel can lock up.

- Do not change into a low gear at high engine speed. The engine races and the rear wheel can lock up.



Info

If you hear unusual noises while riding, stop immediately, switch off the engine and contact an authorized KTM workshop. First gear is used for starting off or for steep inclines.

- When conditions allow (incline, road situation, etc.), you can shift into a higher gear. To do so, release the throttle while simultaneously pulling the clutch lever, shift into the next gear, release the clutch, and open the throttle.
- After reaching maximum speed by fully opening the throttle grip, turn the throttle back so it is $\frac{3}{4}$ open. This will barely reduce the speed but fuel consumption will be considerably lower.
- Always open the throttle only as much as the engine can handle – abrupt throttle opening increases fuel consumption.
- To shift down, brake and close the throttle at the same time.
- Pull the clutch lever and shift into a lower gear, release the clutch lever slowly, and open the throttle or shift again.
- Switch off the engine if you expect to be standing for a long time.

Guideline

≥ 2 min

- Avoid frequent and longer slipping of the clutch. This heats the engine oil, the engine, and the cooling system.
- Ride with a lower engine speed instead of with a high engine speed and a slipping clutch.

8.5 Applying the brakes



Warning

Danger of accidents If you brake too hard, the wheels can lock.

- Adapt your braking to the traffic situation and the road conditions.



Warning

Danger of accidents Reduced braking efficiency caused by spongy pressure point of front or rear brake.

- Check the brake system and do not continue riding. (Your authorized KTM workshop will be glad to help.)



Warning

Danger of accidents Reduced braking efficiency due to a wet or dirty brake system.

- Clean or dry a dirty or wet brake system by riding and braking gently.

- On sandy, wet or slippery surfaces, use the rear brake.
- Braking should always be completed before you go into a bend. Change down to a lower gear appropriate to your road speed.
- On long downhill stretches, use the braking effect of the engine. Change down one or two gears, but do not overstress the engine. In this way, you have to apply the brakes far less frequently and the brake system does not overheat.

8.6 Stopping, parking



Warning

Risk of misappropriation Usage by unauthorized persons.

- Never leave the vehicle while the engine is running. Secure the vehicle against use by unauthorized persons.



Warning

Danger of burns Some vehicle components become very hot when the vehicle is operated.

- Do not touch hot components such as exhaust system, radiator, engine, shock absorber, and the brake system. Allow these components to cool down before starting work on them.

Note

Danger of damage The parked vehicle may roll away or fall over.

- Always place the vehicle on a firm and even surface.

Note

Fire hazard Some vehicle components become very hot when the vehicle is operated.

- Do not park the vehicle near flammable or explosive substances. Do not place objects on the vehicle while it is still warm from being run. Always let the vehicle cool first.

Note

Material damage Damage and destruction of components by excessive load.

- The side stand is designed for the weight of the motorcycle only. Do not sit on the motorcycle when it is supported by the side stand only. The side stand and/or the frame could be damaged and the motorcycle could fall over.

-
- Brake the motorcycle.
 - Shift gear to neutral.
 - Press and hold the kill switch ☒ while the engine is idling until the engine stops.
 - Park the motorcycle on firm ground.

8.7 Transport

Note

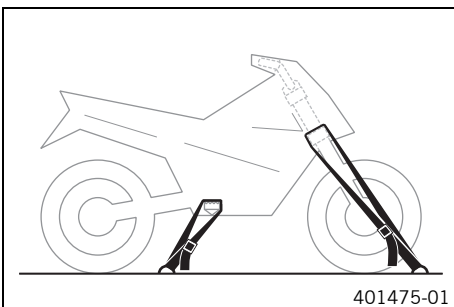
Danger of damage The parked vehicle may roll away or fall over.

- Always place the vehicle on a firm and even surface.

Note

Fire hazard Some vehicle components become very hot when the vehicle is operated.

- Do not park the vehicle near flammable or explosive substances. Do not place objects on the vehicle while it is still warm from being run. Always let the vehicle cool first.



- Switch off the engine.
- Use tension belts or other suitable devices to secure the motorcycle against accidents or falling over.

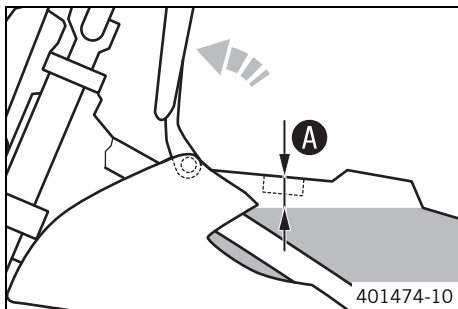
8.8 Refueling

- Danger**
Fire hazard Fuel is highly flammable.
- Never refuel the vehicle near open flames or burning cigarettes, and always switch off the engine first. Be careful that no fuel is spilt, especially on hot vehicle components. Clean up spilt fuel immediately.
 - Fuel in the fuel tank expands when warm and can escape if the tank is overfilled. See the notes on refueling.

- Warning**
Danger of poisoning Fuel is poisonous and a health hazard.
- Avoid contact of the fuel with skin, eyes and clothing. Do not inhale fuel vapors. If fuel gets into your eyes, rinse immediately with water and contact a doctor. Wash affected skin areas immediately with soap and water. If fuel is swallowed, contact a doctor immediately. Change clothing that has come into contact with fuel.

- Note**
Material damage Premature clogging of the fuel filter.
- In some countries and regions, the available fuel quality and cleanliness may not be sufficient. This will result in problems with the fuel system. (Your authorized KTM workshop will be glad to help.)
 - Only refuel with clean fuel that meets the specified standards.

- Warning**
Environmental hazard Improper handling of fuel is a danger to the environment.
- Do not allow fuel to get into the ground water, the ground, or the sewage system.



Preparatory work

- Switch off the engine.
- Fold the seat up. (☛ p. 48)
- Open the filler cap. (☛ p. 21)

Main work

- Fill the fuel tank with fuel up to measurement **A**.

Guideline

Measurement of A	30 mm (1.18 in)	
Total fuel tank capacity, approx.	4.8 l (1.27 US gal)	Super unleaded (ROZ 95/RON 95/PON 91) (☛ p. 109)

Finishing work

- Close the filler cap. (☛ p. 22)
- Lock the seat. (☛ p. 48)

9.1 Service schedule

	S1N	S20A	S40A
Read out the fault memory using the KTM diagnostics tool. 🛠️	•	•	•
Check that the electrical equipment is functioning properly.	•	•	•
Check and charge the battery. 🛠️		•	•
Change the engine oil and oil filter, clean the oil screen. 🛠️ (📖 p. 92)	•	•	•
Check the front brake linings. (📖 p. 67)		•	•
Check the rear brake linings. (📖 p. 71)		•	•
Check the brake discs. (📖 p. 65)		•	•
Check the brake lines for damage and leakage.		•	•
Check the rear brake fluid level. (📖 p. 70)		•	•
Check the free travel of the foot brake lever. (📖 p. 69)		•	•
Check the frame and swingarm. 🛠️		•	•
Check the swingarm bearing. 🛠️			•
Check the heim joints at the top and bottom of the shock absorber. 🛠️		•	•
Check the tire condition. (📖 p. 76)	•	•	•
Check the tire air pressure. (📖 p. 77)	•	•	•
Check the wheel bearing for play. 🛠️		•	•
Check the wheel hubs. 🛠️		•	•
Check the rim run-out. 🛠️	•	•	•
Check the spoke tension. (📖 p. 77)	•	•	•
Check the chain, rear sprocket, engine sprocket and chain guide. (📖 p. 58)		•	•
Check the chain tension. (📖 p. 57)	•	•	•
Grease all moving parts (e.g., side stand, hand lever, chain, ...) and check for smooth operation. 🛠️		•	•
Check the fluid level of the hydraulic clutch. (📖 p. 62)		•	•
Check the brake fluid level of the front brake. (📖 p. 66)		•	•
Check the free travel of the hand brake lever. (📖 p. 65)		•	•
Check the steering head bearing play. (📖 p. 45)	•	•	•
Check the valve clearance. 🛠️	•		•
Check the clutch. 🛠️			•
Change the shaft seal rings of the water pump. 🛠️			•
Change the fuel screen. 🛠️ (📖 p. 91)	•	•	•
Check the fuel pressure. 🛠️		•	•
Check all hoses (e.g. fuel, cooling, bleeder, drainage, etc.) and sleeves for cracking, leaks, and incorrect routing. 🛠️	•	•	•
Check the antifreeze and coolant level. (📖 p. 86)	•	•	•
Check the cables for damage and routing without sharp bends. 🛠️		•	•
Check that the cables are undamaged, routed without sharp bends and set correctly.	•	•	•
Clean the air filter and air filter box. 🛠️		•	•
Change the glass fiber yarn filling of the main silencer. 🛠️ (📖 p. 53)			•
Check the screws and nuts for tightness. 🛠️	•	•	•
Check the headlight setting. (📖 p. 84)	•	•	•
Check idle. 🛠️	•	•	•
Final check: Check the vehicle for roadworthiness and take a test ride.	•	•	•
Read out the fault memory using the KTM diagnostics tool after a test ride. 🛠️	•	•	•
Make the service entry in KTM DEALER.NET and in the service record. 🛠️	•	•	•

S1N: Once after 1 operating hour

S20A: Every 20 operating hours

S40A: Every 40 operating hours

9.2 Service work (as additional order)

	S20N	S60A	S120A	J1A
Change the front brake fluid. 🛠️				•
Change the rear brake fluid. 🛠️				•
Change the foot brake cylinder seals. 🛠️		•	•	
Change the hydraulic clutch fluid. 🛠️ (📄 p. 62)				•
Grease the steering head bearing. 🛠️ (📄 p. 46)				•
Perform a fork service. 🛠️	•	•	•	
Service the shock absorber. 🛠️		•	•	
Change the spark plug and spark plug connector. 🛠️			•	
Change the piston. 🛠️			•	
Check/measure the cylinder. 🛠️			•	
Check the cylinder head. 🛠️			•	
Change the valves, valve springs and valve spring seats. 🛠️			•	
Check the camshaft and cam lever. 🛠️			•	
Change the connecting rod, conrod bearing and crank pin. 🛠️			•	
Check the transmission and shift mechanism. 🛠️			•	
Check the oil pressure regulator valve. 🛠️			•	
Change the suction pump. 🛠️			•	
Check the pressure pump and lubrication system. 🛠️			•	
Replace the timing chain. 🛠️			•	
Check the timing assembly. 🛠️			•	
Change all engine bearings. 🛠️			•	

S20N: Once after 20 operating hours

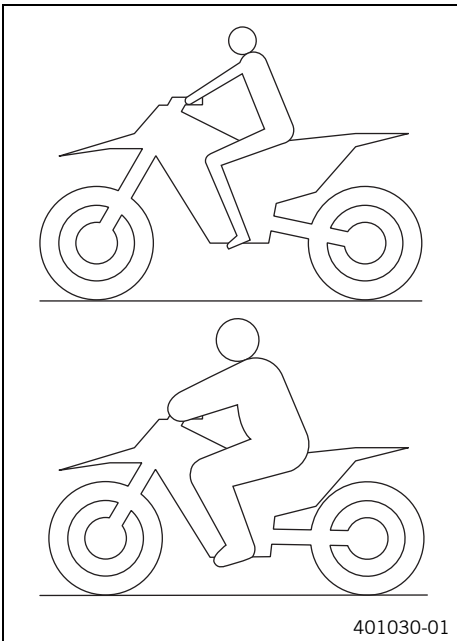
S60A: Every 60 operating hours

S120A: Every 120 operating hours

J1A: Annually

10.1 Checking the basic chassis setting with the rider's weight

i Info
When adjusting the basic chassis setting, first adjust the shock absorber and then the fork.



401030-01

- For optimal motorcycle riding characteristics and to avoid damage to forks, shock absorbers, swingarm and frame, the basic settings of the suspension components must match the rider's weight.
- As delivered, KTM offroad motorcycles are adjusted for an average rider's weight (with full protective clothing).

Guideline

Standard rider weight	75... 85 kg (165... 187 lb.)
-----------------------	------------------------------

- If the rider's weight is above or below this range, the basic setting of the suspension components must be adjusted accordingly.
- Small weight differences can be compensated by adjusting the spring preload, but in the case of large weight differences, the springs must be replaced.

10.2 Compression damping of the shock absorber

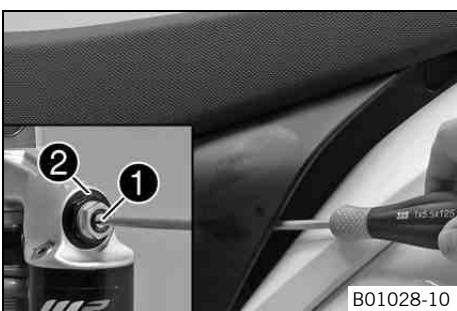
The compression damping of the shock absorber is divided into two ranges: high-speed and low-speed. High-speed and low-speed refer to the compression speed of the rear wheel suspension and not to the vehicle speed. The high-speed setting, for example, has an effect on the landing after a jump: the rear wheel suspension compresses more quickly. The low-speed setting, for example, has an effect when riding over long ground swells: the rear wheel suspension compresses more slowly. These two ranges can be adjusted separately, although the transition between high-speed and low-speed is gradual. Thus, changes in the high-speed range affect the compression damping in the low-speed range and vice versa.

10.3 Adjusting the low-speed compression damping of the shock absorber

⚠ Caution
Danger of accidents Disassembly of pressurized parts can lead to injury.

- The shock absorber is filled with high density nitrogen. Adhere to the description provided. (Your authorized KTM workshop will be glad to help.)

i Info
The low-speed setting can be seen during the slow to normal compression of the shock absorber.



B01028-10

- Turn adjusting screw ❶ clockwise with a screwdriver up to the last perceptible click.

i Info
Do not loosen nut ❷!

- Turn back counterclockwise by the number of clicks corresponding to the shock absorber type.

Guideline

Compression damping, low-speed	
Comfort	20 clicks
Standard	15 clicks
Sport	5 clicks

i Info
Turn clockwise to increase damping; turn counterclockwise to reduce damping.

10.4 Adjusting the high-speed compression damping of the shock absorber

! Caution
Danger of accidents Disassembly of pressurized parts can lead to injury.

- The shock absorber is filled with high density nitrogen. Adhere to the description provided. (Your authorized KTM workshop will be glad to help.)

i Info
The high-speed setting can be seen during the fast compression of the shock absorber.



Preparatory work

- Raise the motorcycle with the lift stand. (☞ p. 40)
- Fold the seat up. (☞ p. 48)
- Remove the shock absorber. ☞ (☞ p. 47)

Main work

- Turn adjusting screw ❶ all the way clockwise with a socket wrench.

i Info
Do not loosen nut ❷!

- Turn back counterclockwise by the number of turns corresponding to the shock absorber type.

Guideline

Compression damping, high-speed	
Comfort	2.5 turns
Standard	2 turns
Sport	1 turn

i Info
Turn clockwise to increase damping; turn counterclockwise to reduce damping.

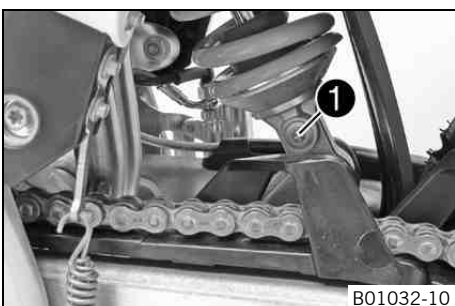
Finishing work

- Install the shock absorber. ☞ (☞ p. 47)
- Lock the seat. (☞ p. 48)
- Remove the motorcycle from the lift stand. (☞ p. 40)

10.5 Adjusting the rebound damping of the shock absorber

! Caution
Danger of accidents Disassembly of pressurized parts can lead to injury.

- The shock absorber is filled with high density nitrogen. Adhere to the description provided. (Your authorized KTM workshop will be glad to help.)



- Turn adjusting screw ❶ clockwise up to the last perceptible click.
- Turn back counterclockwise by the number of clicks corresponding to the shock absorber type.

Guideline

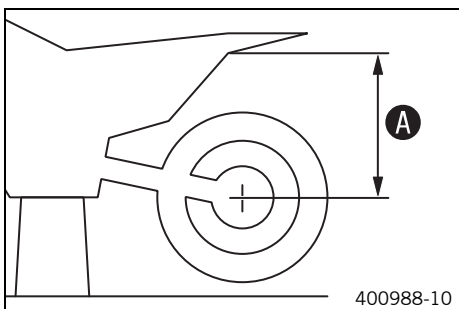
Rebound damping	
Comfort	20 clicks
Standard	15 clicks
Sport	10 clicks



Info

Turn clockwise to increase damping; turn counterclockwise to reduce damping.

10.6 Measuring rear wheel sag unloaded



Preparatory work

- Raise the motorcycle with the lift stand. (☞ p. 40)

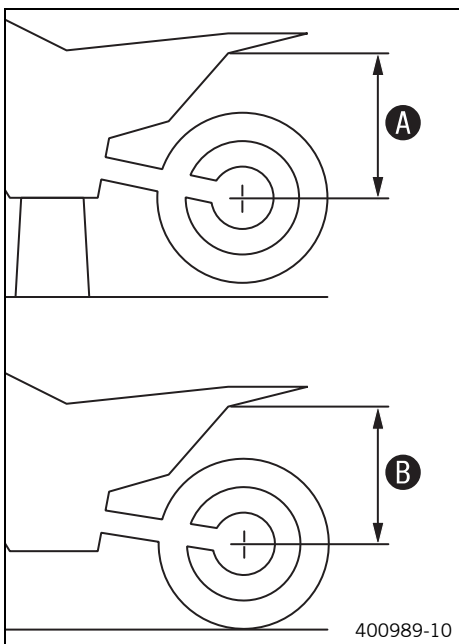
Main work

- Measure the distance – as vertical as possible – between the rear axle and a fixed point, for example, a mark on the side cover.
- Note down the value as dimension **A**.

Finishing work

- Remove the motorcycle from the lift stand. (☞ p. 40)

10.7 Checking the static sag of the shock absorber



- Measure distance **A** of rear wheel unloaded. (☞ p. 35)
- Hold the motorcycle upright with the aid of an assistant.
- Measure the distance between the rear axle and the fixed point again.
- Note down the value as dimension **B**.



Info

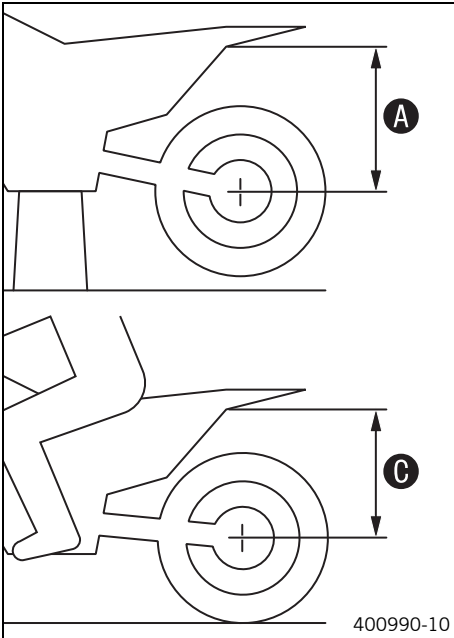
The static sag is the difference between measurements **A** and **B**.

- Check the static sag.

Static sag	15 mm (0.59 in)
------------	-----------------

- » If the static sag is less or more than the specified value:
 - Adjust the spring preload of the shock absorber. ☞ (☞ p. 36)

10.8 Checking the riding sag of the shock absorber



- Measure distance **A** of rear wheel unloaded. (☞ p. 35)
- With another person holding the motorcycle, the rider, wearing full protective clothing, sits on the seat in a normal sitting position (feet on footrests) and bounces up and down a few times.
 - ✓ The rear wheel suspension levels out.
- Another person now measures the distance between the rear axle and a fixed point.
- Note down the value as dimension **C**.

i Info
The riding sag is the difference between measurements **A** and **C**.

- Check the riding sag.

Riding sag	75 mm (2.95 in)
------------	-----------------

- » If the riding sag differs from the specified measurement:
 - Adjust the riding sag. ☞ (☞ p. 37)

10.9 Adjusting the spring preload of the shock absorber ☞

⚠ Caution
Danger of accidents Disassembly of pressurized parts can lead to injury.

- The shock absorber is filled with high density nitrogen. Adhere to the description provided. (Your authorized KTM workshop will be glad to help.)

i Info
Before changing the spring preload, make a note of the present setting, e.g., by measuring the length of the spring.

Preparatory work

- Raise the motorcycle with the lift stand. (☞ p. 40)
- Fold the seat up. (☞ p. 48)
- Remove the shock absorber. ☞ (☞ p. 47)
- After removing the shock absorber, clean it thoroughly.

Main work

- Loosen screw **1**.
- Turn adjusting ring **2** until the spring is no longer under tension.

Hook wrench (T106S)

- Measure the overall spring length while the spring is not under tension.
- Tighten the spring by turning adjusting ring **2** to measurement **A**.

Guideline

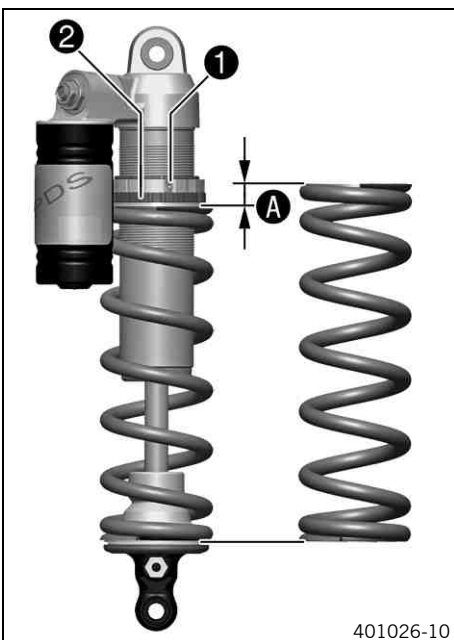
Spring preload	
Comfort	10 mm (0.39 in)
Standard	10 mm (0.39 in)
Sport	10 mm (0.39 in)

i Info
Depending on the static sag and/or the riding sag, it may be necessary to increase or decrease the spring preload.

- Tighten screw **1**.

Guideline

Screw, shock absorber adjusting ring	M5	5 Nm (3.7 lbf ft)
--------------------------------------	----	-------------------



Finishing work

- Install the shock absorber. 🛠️ (👉 p. 47)
- Lock the seat. (👉 p. 48)
- Remove the motorcycle from the lift stand. (👉 p. 40)

10.10 Adjusting the riding sag 🛠️

Preparatory work

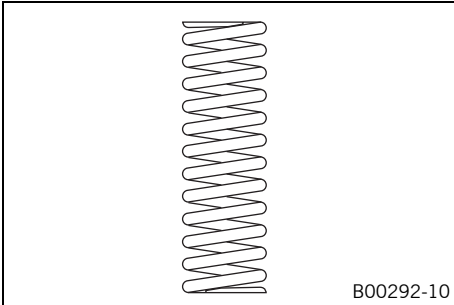
- Raise the motorcycle with the lift stand. (👉 p. 40)
- Fold the seat up. (👉 p. 48)
- Remove the shock absorber. 🛠️ (👉 p. 47)
- After removing the shock absorber, clean it thoroughly.

Main work

- Choose and mount a suitable spring.

Guideline

Spring rate	
Weight of rider: 65... 75 kg (143... 165 lb.)	58 N/mm (331 lb/in)
Weight of rider: 75... 85 kg (165... 187 lb.)	62 N/mm (354 lb/in)
Weight of rider: 85... 95 kg (187... 209 lb.)	66 N/mm (377 lb/in)



Info

The spring rate is shown on the outside of the spring. Smaller weight differences can be compensated by changing the spring preload.

Finishing work

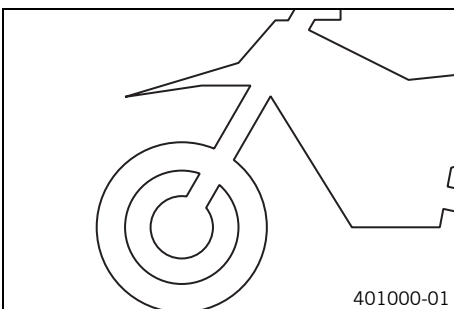
- Install the shock absorber. 🛠️ (👉 p. 47)
- Lock the seat. (👉 p. 48)
- Remove the motorcycle from the lift stand. (👉 p. 40)
- Check the static sag of the shock absorber. (👉 p. 35)
- Check the riding sag of the shock absorber. (👉 p. 36)
- Adjust the rebound damping of the shock absorber. (👉 p. 34)

10.11 Checking the basic setting of the fork



Info

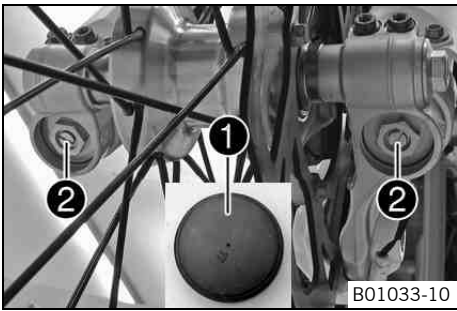
For various reasons, no exact riding sag can be determined for the forks.



- As with the shock absorber, smaller differences in the rider's weight can be compensated by the spring preload.
- However, if the fork is often overloaded (hard end stop on compression), harder springs must be fit to avoid damage to the fork and frame.

10.12 Adjusting the compression damping of the fork

i Info
The hydraulic compression damping determines the fork suspension behavior.



- Remove protection caps ❶.
- Turn adjusting screws ❷ clockwise all the way.

i Info
Adjusting screws ❷ are located at the bottom end of the fork legs. Make the same adjustment on both fork legs.

- Turn back counterclockwise by the number of clicks corresponding to the fork type.
- Guideline

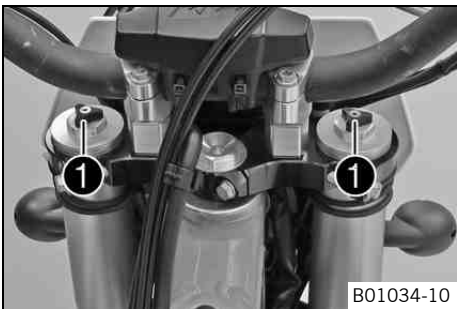
Compression damping	
Comfort	25 clicks
Standard	20 clicks
Sport	15 clicks

i Info
Turn clockwise to increase damping; turn counterclockwise to reduce damping.

- Mount protection covers ❶.

10.13 Adjusting the rebound damping of the fork

i Info
The hydraulic rebound damping determines the fork suspension behavior.



- Turn adjusting screws ❶ clockwise all the way.

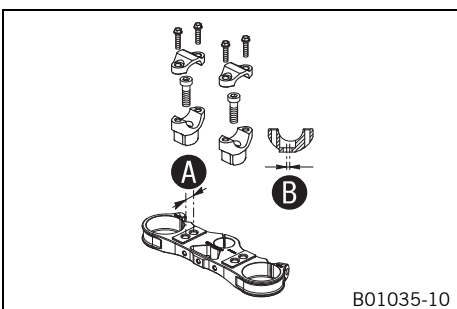
i Info
Adjusting screws ❶ are located at the top end of the fork legs. Make the same adjustment on both fork legs.

- Turn back counterclockwise by the number of clicks corresponding to the fork type.
- Guideline

Rebound damping	
Comfort	25 clicks
Standard	20 clicks
Sport	15 clicks

i Info
Turn clockwise to increase damping; turn counterclockwise to reduce damping.

10.14 Handlebar position



On the upper triple clamp, there are two holes at a distance of **A** to each other.

Hole distance A	15 mm (0.59 in)
------------------------	-----------------

The holes on the handlebar supports are placed at a distance of **B** from the center.

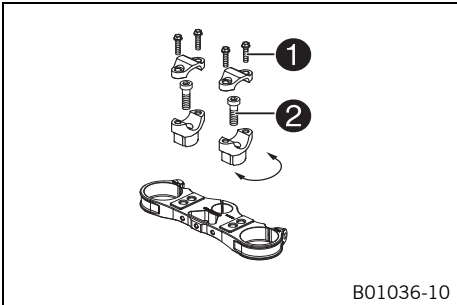
Hole distance B	3.5 mm (0.138 in)
------------------------	-------------------

The handlebar supports can be mounted in four different positions.

10.15 Adjusting the handlebar position ↩

Warning
Danger of accidents Handlebar breakage.

- If the handlebar is bent or straightened it will cause material fatigue, and the handlebar can break. Always replace handlebar.



- Remove the four screws ①. Remove the handlebar clamp. Remove the handlebar and lay it to one side.

i Info
 Protect the motorcycle and its attachments against damage by covering them.
 Do not bend the cables and lines.

- Remove the two screws ②. Remove the handlebar supports.
- Place the handlebar supports in the required position. Fit and tighten the two screws ②.

Guideline

Screw, handlebar support	M10	40 Nm (29.5 lbf ft)	Loctite® 243™
--------------------------	-----	------------------------	---------------

i Info
 Position the left and right handlebar supports evenly.

- Position the handlebar.

i Info
 Make sure cables and wiring are positioned correctly.

- Position the handlebar clamps. Fit and evenly tighten the four screws ①.

Guideline

Screw, handlebar clamp	M8	20 Nm (14.8 lbf ft)
------------------------	----	------------------------

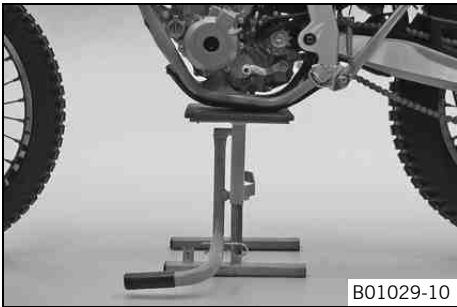
i Info
 Make sure the gap width is even.

11.1 Raising the motorcycle with the lift stand

Note

Danger of damage The parked vehicle may roll away or fall over.

- Always place the vehicle on a firm and even surface.



- Raise the motorcycle at the frame underneath the engine.

Lift stand (54829055000)

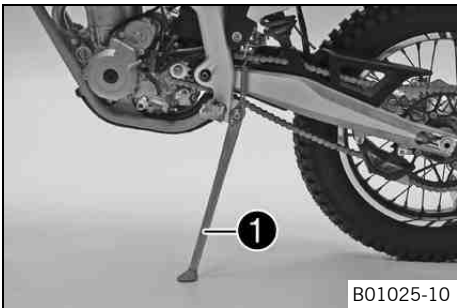
- ✓ The wheels must no longer touch the ground.
- Secure the motorcycle against falling over.

11.2 Removing the motorcycle from the lift stand

Note

Danger of damage The parked vehicle may roll away or fall over.

- Always place the vehicle on a firm and even surface.



- Remove the motorcycle from the lift stand.
- Remove the lift stand.
- To park the motorcycle, press side stand ❶ to the ground with your foot and lean the motorcycle on it.



Info

When you are riding, the side stand must be folded up and secured with the rubber band.

11.3 Bleeding the fork legs



Preparatory work

- Raise the motorcycle with the lift stand. (☛ p. 40)

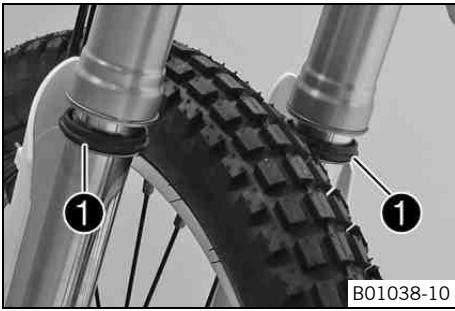
Main work

- Remove bleeder screws ❶ briefly.
 - ✓ Any excess pressure escapes from the interior of the fork.
- Mount and tighten bleeder screws.

Finishing work

- Remove the motorcycle from the lift stand. (☛ p. 40)

11.4 Cleaning the dust boots of the fork legs



Preparatory work

- Raise the motorcycle with the lift stand. (☞ p. 40)

Main work

- Push dust boots ❶ of both fork legs downward.



Info

The dust boots remove dust and coarse dirt particles from the inside fork tubes. Over time, dirt can penetrate behind the dust boots. If this dirt is not removed, the shaft seal rings behind can start to leak.



Warning

Danger of accidents Reduced braking efficiency due to oil or grease on the brake discs.

- Always keep the brake discs free of oil and grease, and clean them with brake cleaner when necessary.

- Clean and oil the dust boots and inner fork tube of both fork legs.

Universal oil spray (☞ p. 111)

- Press the dust boots back into their normal position.
- Remove excess oil.

Finishing work

- Remove the motorcycle from the lift stand. (☞ p. 40)

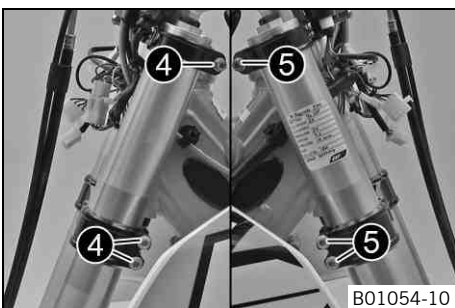
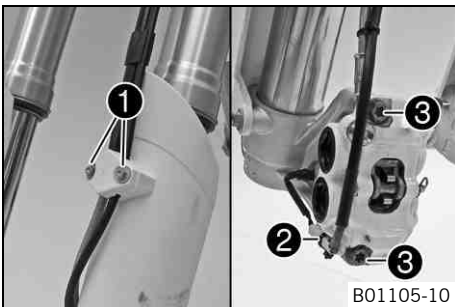
11.5 Removing the fork legs

Preparatory work

- Remove the headlight mask with the headlight. (☞ p. 82)
- Raise the motorcycle with the lift stand. (☞ p. 40)
- Remove the front wheel. ☞ (☞ p. 74)

Main work

- Remove screws ❶ and take off the clamp.
- Remove cable binder ❷.
- Remove screws ❸ and take off the brake caliper.
- Allow the brake caliper and brake line to hang tension-free to the side.



- Release screws ❹. Take out the left fork leg.
- Release screws ❺. Take out the right fork leg.

11.6 Installing the fork legs

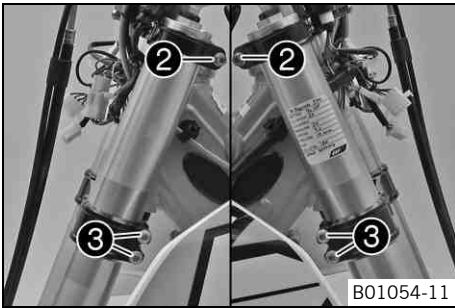


Main work

- Position the fork legs.

Info

The lowest milled groove in the fork leg must be flush with the top edge of the upper triple clamp.
Position bleeder screws ❶ toward the front.



- Tighten screws ❷.

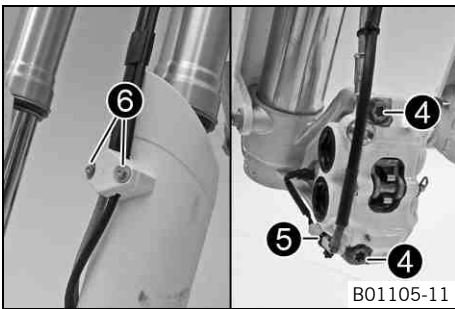
Guideline

Screw, top triple clamp	M8	22 Nm (16.2 lbf ft)
-------------------------	----	------------------------

- Tighten screws ❸.

Guideline

Screw, bottom triple clamp	M8	18 Nm (13.3 lbf ft)
----------------------------	----	------------------------



- Position brake caliper, and mount and tighten screws ❹.

Guideline

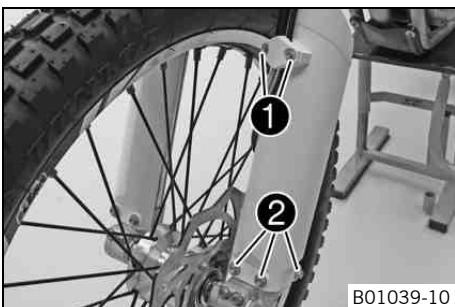
Screw, front brake caliper	M8	25 Nm (18.4 lbf ft)	Loctite® 243™
----------------------------	----	------------------------	---------------

- Mount cable binder ❺.
- Position the brake line, wiring harness, and clamp. Mount and tighten screws ❻.

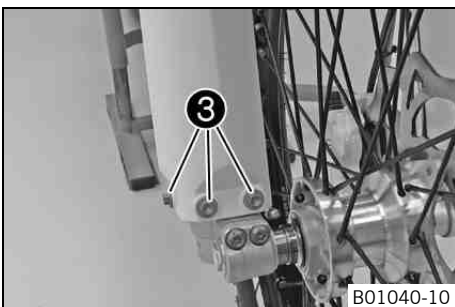
Finishing work

- Install the front wheel. (☞ p. 74)
- Refit the headlight mask with the headlight. (☞ p. 82)
- Check the headlight setting. (☞ p. 84)

11.7 Removing the fork protector

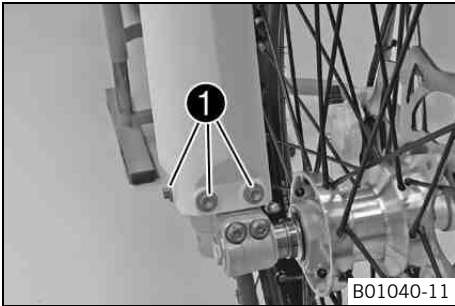


- Remove screws ❶. Take off the clamp.
- Remove screws ❷ on the left fork leg. Take off the fork protector.



- Remove screws ❸ on the right fork leg. Take off the fork protector.

11.8 Installing the fork protector

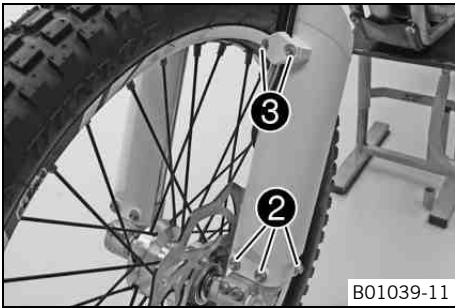


B01040-11

- Position the fork protection on the right fork leg. Mount and tighten screws ❶.

Guideline

Remaining screws, chassis	M6	10 Nm (7.4 lbf ft)
---------------------------	----	--------------------



B01039-11

- Position the fork protection on the left fork leg. Mount and tighten screws ❷.

Guideline

Remaining screws, chassis	M6	10 Nm (7.4 lbf ft)
---------------------------	----	--------------------

- Position the brake line, wiring harness, and clamp. Mount and tighten screws ❸.

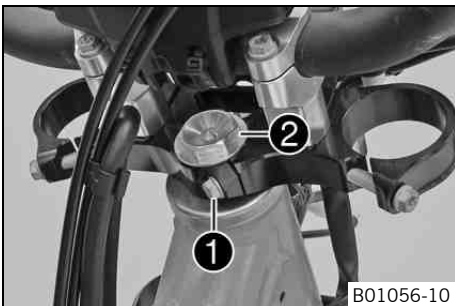
11.9 Removing the lower triple clamp

Preparatory work

- Remove the headlight mask with the headlight. (☞ p. 82)
- Raise the motorcycle with the lift stand. (☞ p. 40)
- Remove the front wheel. (☞ p. 74)
- Remove the fork legs. (☞ p. 41)
- Remove the front fender. (☞ p. 47)

Main work

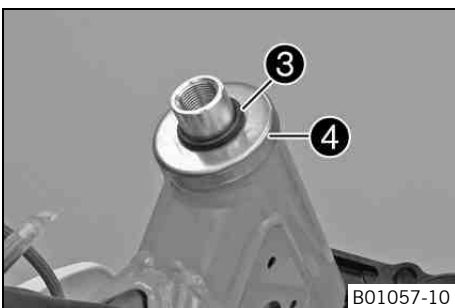
- Open the cable holder in front of the radiator and detach the wiring harness.
- Loosen screw ❶.
- Remove screw ❷, take off the upper triple clamp with the handlebar and set it aside.



B01056-10

Info

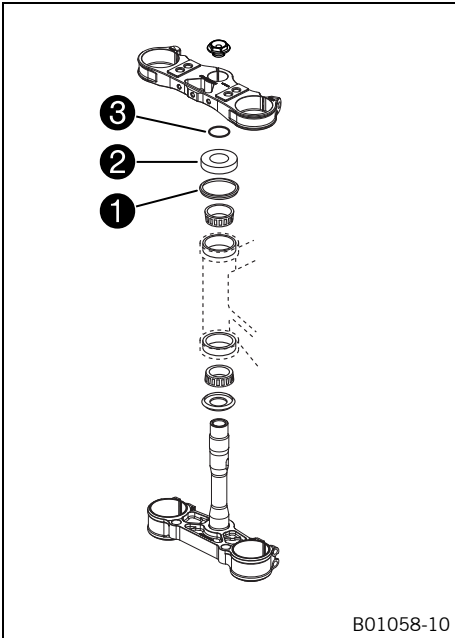
Protect the motorcycle and its attachments against damage by covering them.
Do not bend the cables and lines.



B01057-10

- Remove O-ring ❸. Remove protective ring ❹.
- Take out the lower triple clamp with the steering stem.
- Take out the upper steering head bearing.

11.10 Installing the lower triple clamp



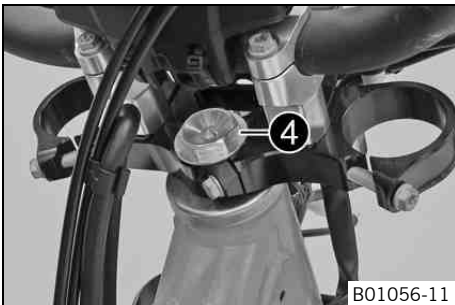
B01058-10

Main work

- Clean the bearing and sealing elements, check for damage, and grease.

High viscosity grease (☛ p. 110)

- Insert the lower triple clamp with the steering stem. Mount the upper steering head bearing.
- Check whether the top steering head seal ① is correctly positioned.
- Slide on protective ring ② and O-ring ③.



B01056-11

- Position the upper triple clamp with the steering.
- Mount screw ④ but do not tighten yet.
- Position the clutch line and wiring harness.



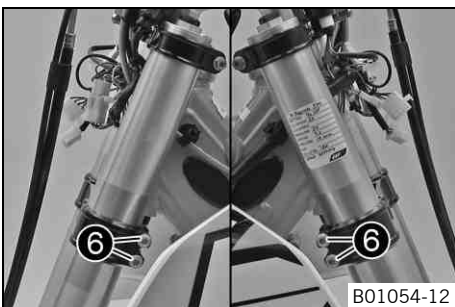
B01059-10

- Position the fork legs.



Info

The lowest milled groove in the fork leg must be flush with the top edge of the upper triple clamp.
Position bleeder screws ⑤ toward the front.

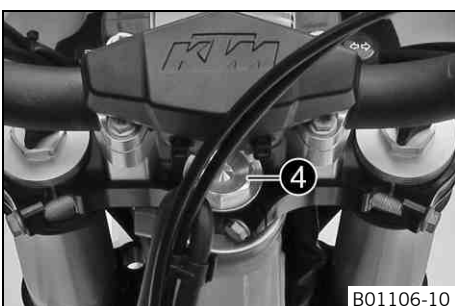


B01054-12

- Tighten screws ⑥.

Guideline

Screw, bottom triple clamp	M8	18 Nm (13.3 lbf ft)
----------------------------	----	------------------------

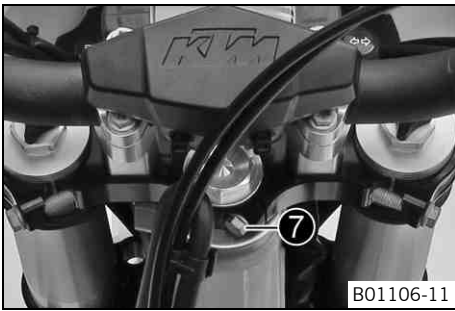


B01106-10

- Tighten screw ④.

Guideline

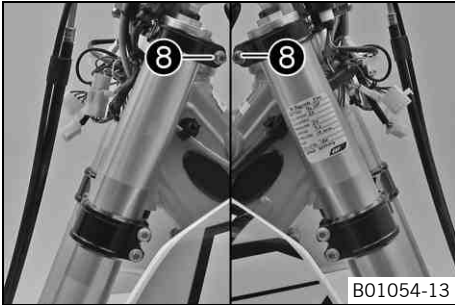
Screw, top steering head	M20x1.5	12 Nm (8.9 lbf ft)
--------------------------	---------	--------------------



- Mount and tighten screw ⑦.

Guideline

Screw, top steering stem	M8	17 Nm (12.5 lbf ft)	Loctite® 243™
--------------------------	----	------------------------	---------------

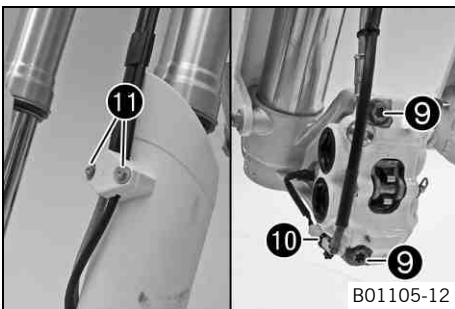


- Tighten screws ⑧.

Guideline

Screw, top triple clamp	M8	22 Nm (16.2 lbf ft)	
-------------------------	----	------------------------	--

- Secure the wiring harness with the cable holder.



- Position the brake caliper. Mount and tighten screws ⑨.

Guideline

Screw, front brake caliper	M8	25 Nm (18.4 lbf ft)	Loctite® 243™
----------------------------	----	------------------------	---------------

- Mount cable binder ⑩.
- Position the brake line, wiring harness, and clamp. Mount and tighten screws ⑪.

Finishing work

- Install the front fender. (☞ p. 48)
- Install the front wheel. 🛠️ (☞ p. 74)
- Refit the headlight mask with the headlight. (☞ p. 82)
- Check that the wiring harness, cables, and brake and clutch lines can move freely and are routed correctly.
- Check the steering head bearing play. (☞ p. 45)
- Remove the motorcycle from the lift stand. (☞ p. 40)
- Check the headlight setting. (☞ p. 84)

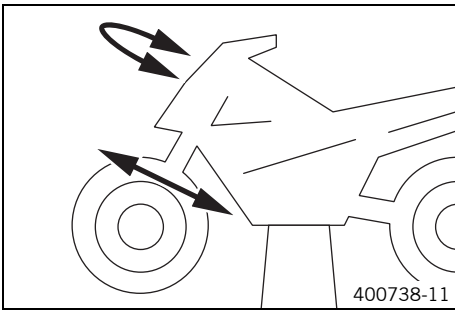
11.11 Checking the steering head bearing play

Warning
Danger of accidents Unstable vehicle handling from incorrect steering head bearing play.
 - Adjust the steering head bearing play without delay. (Your authorized KTM workshop will be glad to help.)

Info
 If the bike is ridden with play in the steering head bearing, the bearing and the bearing seats in the frame can become damaged over time.

Preparatory work

- Raise the motorcycle with the lift stand. (☞ p. 40)



Main work

- Move the handlebar to the straight-ahead position. Move the fork legs to and fro in the direction of travel.

No play should be noticeable in the steering head bearing.

- » If there is noticeable play present:
 - Adjust the play of the steering head bearing. 🛠️ (📖 p. 46)

- Move the handlebar to and fro over the entire steering range.

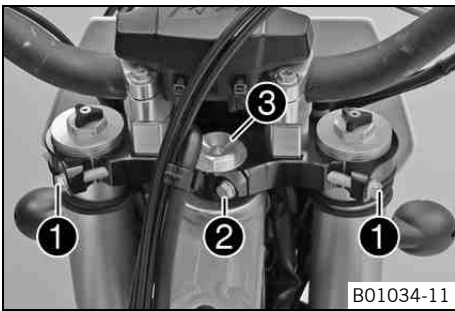
The handlebar must be able to move easily over the entire steering range. No resting locations should be noticeable.

- » If click positions are noticeable:
 - Adjust the play of the steering head bearing. 🛠️ (📖 p. 46)
 - Check the steering head bearing and replace if required.

Finishing work

- Remove the motorcycle from the lift stand. (📖 p. 40)

11.12 Adjusting the play of the steering head bearing 🛠️



Preparatory work

- Raise the motorcycle with the lift stand. (📖 p. 40)

Main work

- Loosen screws ❶. Remove screw ❷.
- Loosen and retighten screw ❸.

Guideline

Screw, top steering head	M20x1.5	12 Nm (8.9 lbf ft)
--------------------------	---------	--------------------

- Using a plastic hammer, tap lightly on the upper triple clamp to avoid strains.
- Tighten screws ❶.

Guideline

Screw, top triple clamp	M8	22 Nm (16.2 lbf ft)
-------------------------	----	---------------------

- Mount and tighten screw ❷.

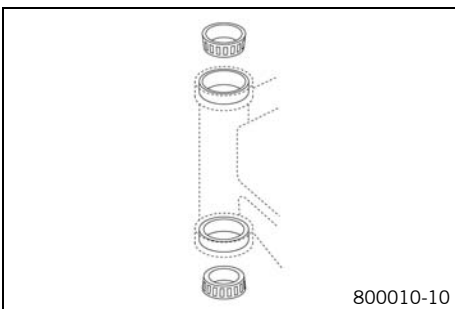
Guideline

Screw, top steering stem	M8	17 Nm (12.5 lbf ft)	Loctite® 243™
--------------------------	----	---------------------	----------------------

Finishing work

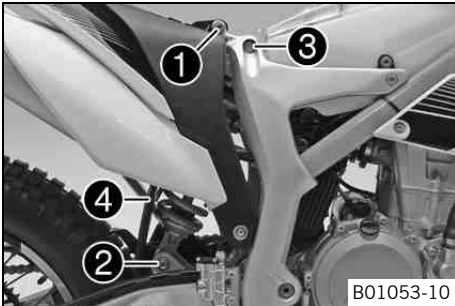
- Check the steering head bearing play. (📖 p. 45)
- Remove the motorcycle from the lift stand. (📖 p. 40)

11.13 Greasing the steering head bearing 🛠️



- Remove the lower triple clamp. 🛠️ (📖 p. 43)
- Install the lower triple clamp. 🛠️ (📖 p. 44)

11.14 Removing the shock absorber



B01053-10

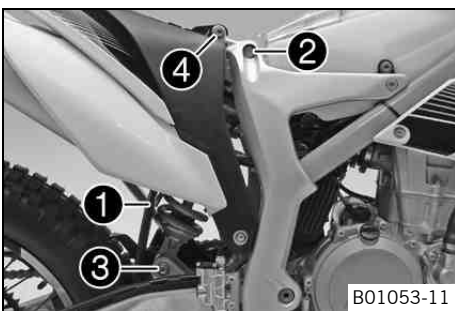
Preparatory work

- Raise the motorcycle with the lift stand. (☛ p. 40)
- Fold the seat up. (☛ p. 48)

Main work

- Remove screw ❶.
- Remove screw ❷ and lower the rear wheel with the swing arm as far as possible without blocking the rear wheel. Fix the rear wheel in this position.
- Remove screw ❸.
- Push splash protector ❹ to the side and remove the shock absorber.

11.15 Installing the shock absorber



B01053-11

Main work

- Push splash protector ❶ to the side and position the shock absorber. Mount and tighten screw ❷.

Guideline

Screw, top shock absorber	M12	80 Nm (59 lbf ft)	Loctite® 243™
---------------------------	-----	----------------------	---------------

- Mount and tighten screw ❸.

Guideline

Screw, bottom shock absorber	M12	80 Nm (59 lbf ft)	Loctite® 243™
------------------------------	-----	----------------------	---------------



Info

The heim joint for the shock absorber at the swing arm is Teflon coated. It must not be greased with grease or with other lubricants. Lubricants dissolve the Teflon coating, thereby drastically reducing the service life.

- Mount and tighten screw ❹.

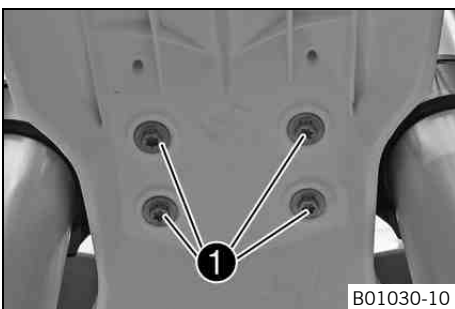
Guideline

Screw, upper subframe	M10	45 Nm (33.2 lbf ft)	Loctite® 243™
-----------------------	-----	------------------------	---------------

Finishing work

- Lock the seat. (☛ p. 48)
- Remove the motorcycle from the lift stand. (☛ p. 40)

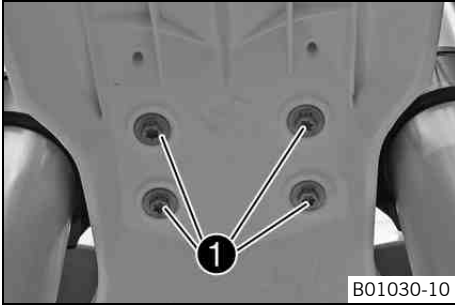
11.16 Removing the front fender



B01030-10

- Remove screws ❶. Remove the front fender.
- Ensure that the spacers remain in place.

11.17 Installing the front fender



B01030-10

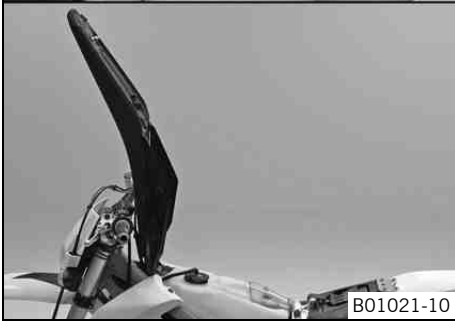
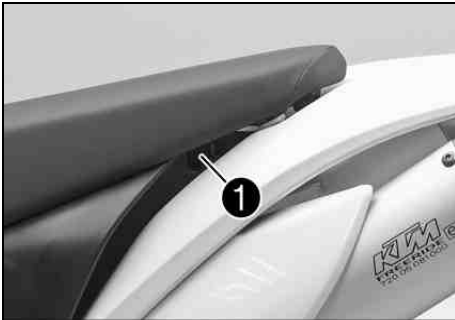
- Ensure that the spacers are mounted in the fender.
- Position the front fender. Mount and tighten screws ❶.

Guideline

Remaining screws, chassis	M6	10 Nm (7.4 lbf ft)
---------------------------	----	--------------------

- i Info**
Make sure the holding lugs engage in the headlight mask.

11.18 Folding the seat up



B01021-10

- Press release lever ❶.
- Lift the seat and fold it up.

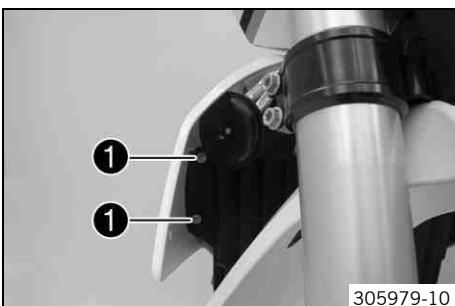
11.19 Locking the seat



B01022-10

- Fold down the seat and push it down.
✓ The seat engages with an audible click.
- Finally, check that the seat is correctly locked.

11.20 Taking off the spoiler



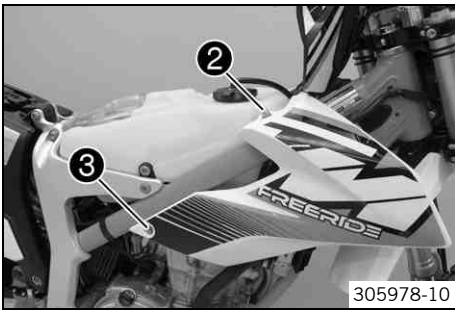
305979-10

Preparatory work

- Fold the seat up. (☛ p. 48)

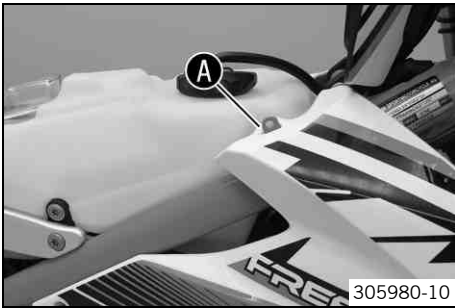
Main work

- Remove screws ❶.



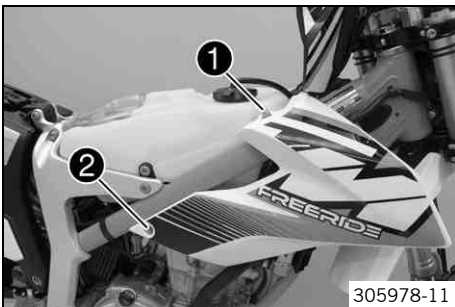
- Remove screw ②.
- Remove screw ③.
- Take off the spoiler.
- Repeat the operation on the opposite side.

11.21 Mounting the spoiler

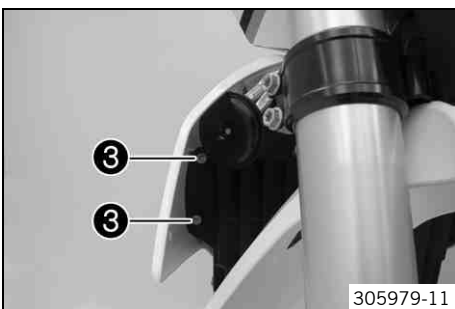


Main work

- Position the spoiler and hook it in at area A.



- Mount and tighten screw ①.
- Mount and tighten screw ②.



- Mount and tighten screws ③.
- Repeat the operation on the opposite side.

Finishing work

- Lock the seat. (☛ p. 48)

11.22 Removing the air filter housing ☛

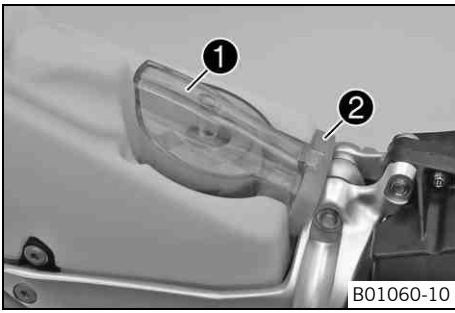
Note

Engine failure Unfiltered intake air has a negative effect on the service life of the engine.

- Never ride the vehicle without an air filter since dust and dirt can get into the engine and result in increased wear.

Preparatory work

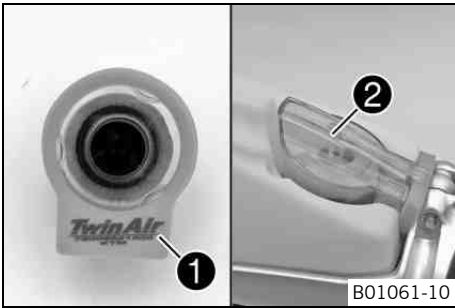
- Fold the seat up. (☛ p. 48)



Main work

- Pull off air filter housing ❶ and pre-filter ❷ toward the top.

11.23 Installing the air filter housing



Main work

- Position pre-filter ❶ on the air filter housing.

Note

Engine failure If the pre-filter is incorrectly mounted or not mounted at all, the air-fuel mixture will be different. This has a negative effect on the service life of the engine.

- Make sure the pre-filter is seated correctly.

- Attach air filter housing ❷ to the inlet flange together with the mounted pre-filter.

i Info

If the air filter housing is not mounted correctly, dust and dirt may enter the engine and cause damage.

Finishing work

- Lock the seat. (☞ p. 48)

11.24 Removing the air filter

Note

Engine failure Unfiltered intake air has a negative effect on the service life of the engine.

- Never ride the vehicle without an air filter since dust and dirt can get into the engine and result in increased wear.

Warning

Environmental hazard Hazardous substances cause environmental damage.

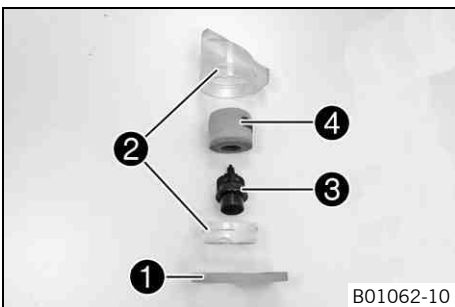
- Oil, grease, filters, fuel, cleaners, brake fluid, etc., should be disposed of as stipulated in applicable regulations.

Preparatory work

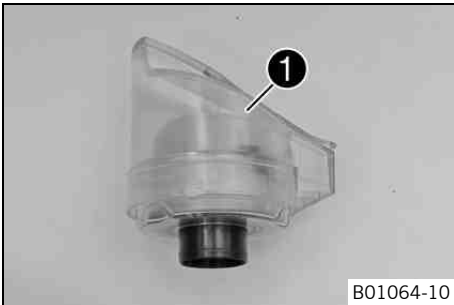
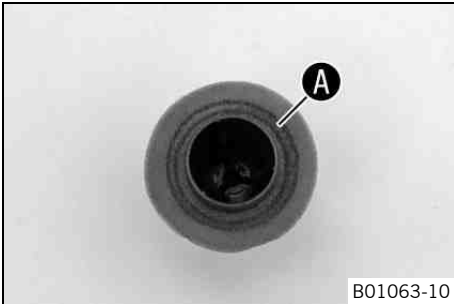
- Fold the seat up. (☞ p. 48)
- Remove the air filter housing. (☞ p. 49)

Main work

- Take off pre-filter ❶.
- Open air filter housing ❷ and take out air filter ❹ with air filter support ❸.
- Take off air filter ❹ from air filter support ❸.



11.25 Installing the air filter



Main work

- Mount the clean air filter onto the air filter support.
- Apply grease to the air filter around area **A**.

Long-life grease (☞ p. 110)

- Insert both parts together and close air filter housing **1**.



Info

If the air filter is not mounted correctly, dust and dirt may enter the engine and cause damage.

Finishing work

- Install the air filter housing. ☞ (☞ p. 50)
- Lock the seat. (☞ p. 48)

11.26 Cleaning the air filter and air filter housing



Warning

Environmental hazard Hazardous substances cause environmental damage.

- Oil, grease, filters, fuel, cleaners, brake fluid, etc., should be disposed of as stipulated in applicable regulations.



Info

Do not clean the air filter with fuel or petroleum since these substances attack the foam.

Preparatory work

- Fold the seat up. (☞ p. 48)
- Remove the air filter housing. ☞ (☞ p. 49)
- Remove the air filter. ☞ (☞ p. 50)

Main work

- Wash the air filter thoroughly in special cleaning liquid and allow it to dry properly.

Air filter cleaner (☞ p. 110)



Info

Only press the air filter to dry it, never wring it out.

- Oil the dry air filter with a high quality filter oil.

Oil for foam air filter (☞ p. 111)

- Clean the air filter housing.
- Check the intake flange for damage and ensure it is firmly seated.

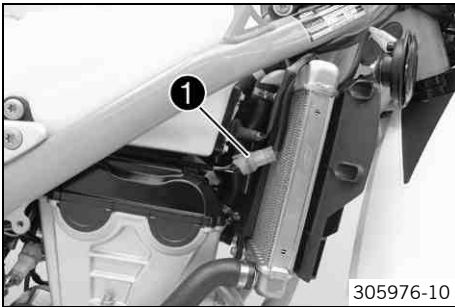
Finishing work

- Install the air filter. ☞ (☞ p. 51)
- Install the air filter housing. ☞ (☞ p. 50)
- Lock the seat. (☞ p. 48)



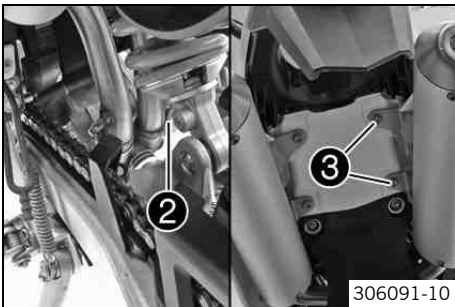
11.27 Removing the main silencer

- Warning**
Danger of burns The exhaust system gets very hot when the vehicle is driven.
- Allow the exhaust system to cool down. Do not touch hot components.

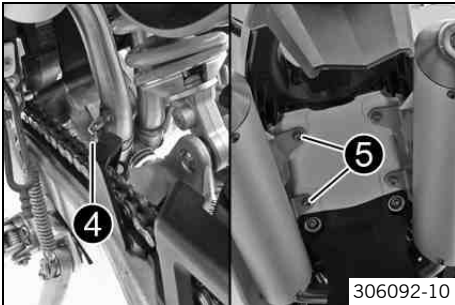


- Remove the right main silencer:**
- Take off the spoiler. (☛ p. 48)

i Info
 Only remove the right spoiler.

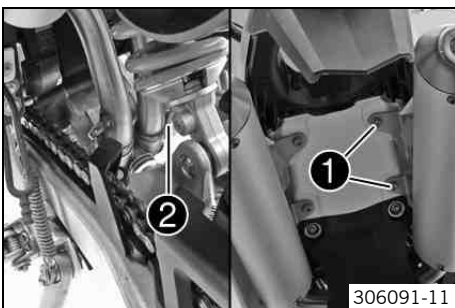


- Disconnect spring 2.
- Remove screws 3 and take off the main silencer.



- Remove the left main silencer:**
- Disconnect spring 4.
 - Remove screws 5 and take off the main silencer.

11.28 Installing the main silencer

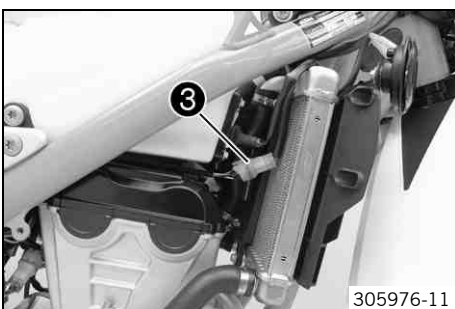


- Install the right main silencer:**
- Position the main silencer. Mount and tighten screws 1.

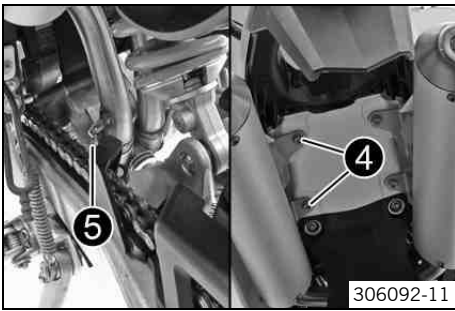
Guideline

Remaining screws, chassis	M8	25 Nm (18.4 lbf ft)
---------------------------	----	------------------------

- Attach springs 2.



- Plug in connector 3 of the lambda sensor.
- Mount the spoiler. (☛ p. 49)



Install the left main silencer:

- Position the main silencer. Mount and tighten screws ④.

Guideline

Remaining screws, chassis	M8	25 Nm (18.4 lbf ft)
---------------------------	----	------------------------

- Attach springs ⑤.

11.29 Changing the glass fiber yarn filling of the main silencer



Warning

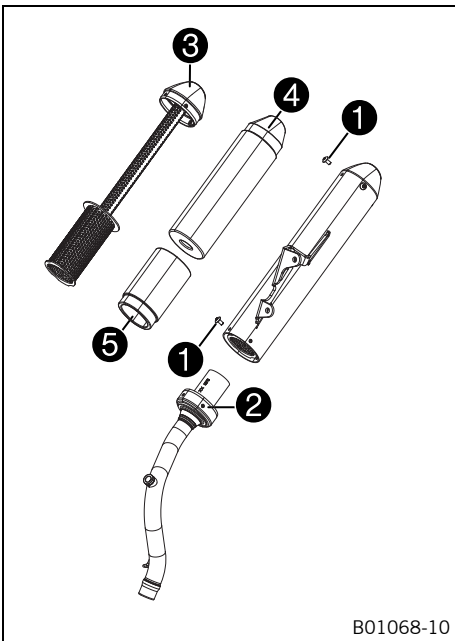
Danger of burns The exhaust system gets very hot when the vehicle is driven.

- Allow the exhaust system to cool down. Do not touch hot components.



Info

Over a period, the fibers of the glass fiber yarn vanish into the air, and the silencer "burns out". Not only is the noise level higher, the performance characteristic changes. The operations are the same for the left and right sides.



Preparatory work

- Remove the main silencer. (☛ p. 52)

Main work

- Remove screws ①.
- Take off connecting cap ②.
- Pull silencer cap ③ out together with the perforated pipe and glass fiber yarn fillings ④ and ⑤.
- Clean the parts that need to be reinstalled and check for damage.
- Position the new glass fiber yarn fillings ④ and ⑤ on the perforated pipe.
- Mount silencer cap ③ with the perforated pipe in the main silencer.
- Mount connecting cap ②.
- Mount and tighten screws ①.

Finishing work

- Install the main silencer. (☛ p. 52)

11.30 Removing the fuel tank



Danger

Fire hazard Fuel is highly flammable.

- Never refuel the vehicle near open flames or burning cigarettes, and always switch off the engine first. Be careful that no fuel is spilt, especially on hot vehicle components. Clean up spilt fuel immediately.
- Fuel in the fuel tank expands when warm and can escape if the tank is overfilled. See the notes on refueling.

- Warning**
Danger of poisoning Fuel is poisonous and a health hazard.
- Avoid contact between fuel and skin, eyes and clothing. Do not inhale fuel vapors. If fuel gets into your eyes, rinse immediately with water and contact a doctor. Wash affected skin areas immediately with soap and water. If fuel is swallowed, contact a doctor immediately. Change clothing that has come into contact with fuel. Store fuel in a suitable canister according to regulations and keep it out of the reach of children.

Preparatory work

- Fold the seat up. (☛ p. 48)

Main work

- Thoroughly clean the plug-in connection of the fuel line using compressed air.

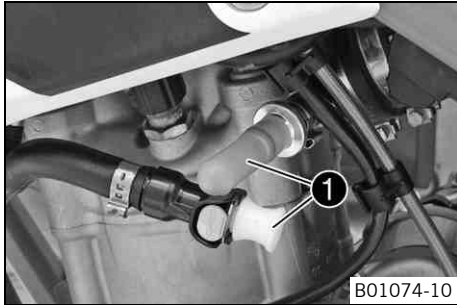


Info

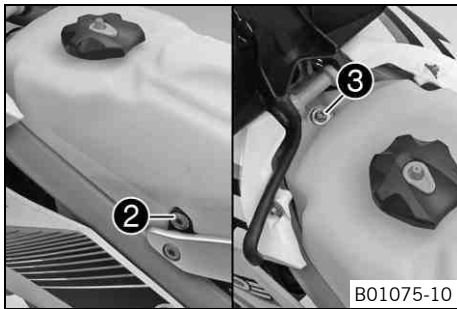
Under no circumstances should dirt enter the fuel line. Dirt in the fuel line clogs the injection valve.

- Disconnect the plug-in connection of the fuel line.
- Mount wash cap set ❶.

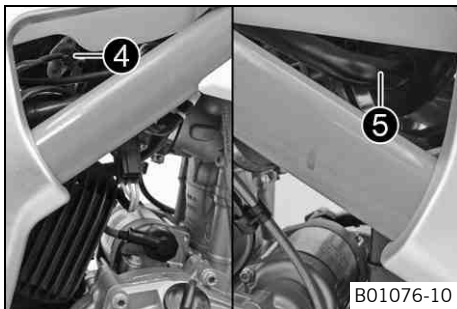
Wash cap set (81212016000)



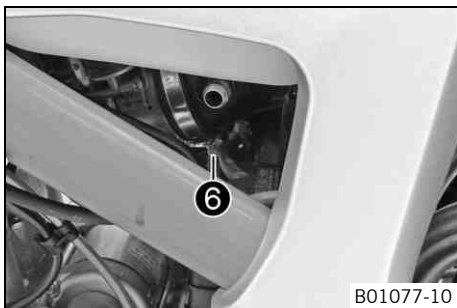
- Remove the tube from the fuel tank breather.
- Remove screws ❷ on both sides.
- Remove screw ❸.



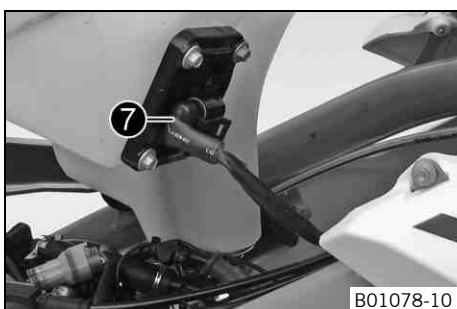
- Disconnect connector ❹.
- Pull off engine breather hose ❺.



- Release hose clamp ❻.
- Detach the intake flange from the throttle valve body.



- Pull up the fuel tank slightly and disconnect connector ❼ of the fuel pump.
- Remove the fuel tank from above.



11.31 Installing the fuel tank



Danger

Fire hazard Fuel is highly flammable.

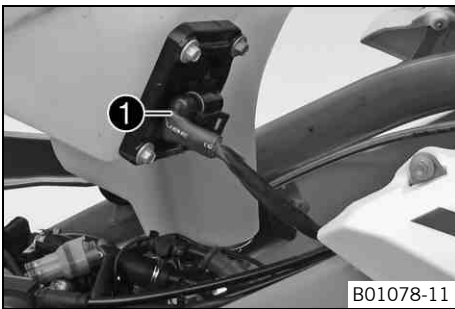
- Never refuel the vehicle near open flames or burning cigarettes, and always switch off the engine first. Be careful that no fuel is spilt, especially on hot vehicle components. Clean up spilt fuel immediately.
- Fuel in the fuel tank expands when warm and can escape if the tank is overfilled. See the notes on refueling.




Warning

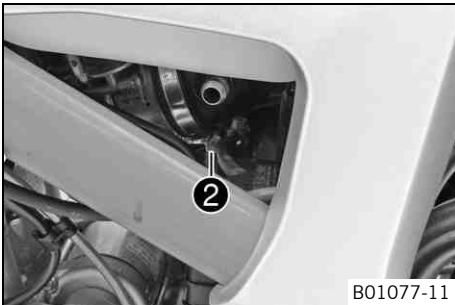
Danger of poisoning Fuel is poisonous and a health hazard.

- Avoid contact of the fuel with skin, eyes and clothing. Do not inhale fuel vapors. If fuel gets into your eyes, rinse immediately with water and contact a doctor. Wash affected skin areas immediately with soap and water. If fuel is swallowed, contact a doctor immediately. Change clothing that has come into contact with fuel.

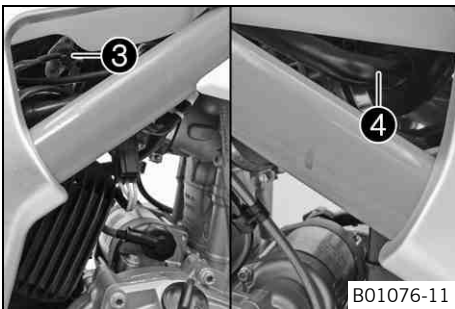


Main work

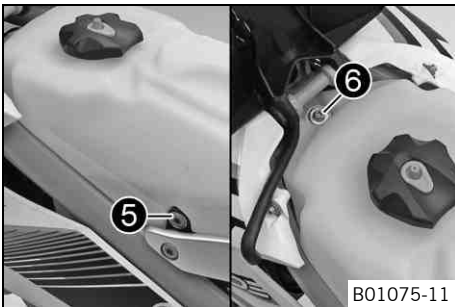
- Check the throttle cable routing. ( p. 61)
- Make sure that no cables are trapped or damaged.
- Attach connector **1** of the fuel pump.



- Position the fuel tank.
- Position the intake flange on the throttle valve body.
- Tighten hose clamp **2**.



- Plug in connector **3**.
- Position engine breather hose **4**.



- Mount and tighten screws **5** on both sides.

Guideline

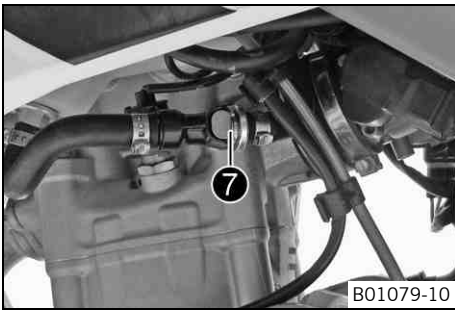
Screw, fuel tank	M8	15 Nm (11.1 lbf ft)
------------------	----	------------------------

- Mount and tighten screw **6**.

Guideline

Remaining screws, chassis	M6	10 Nm (7.4 lbf ft)
---------------------------	----	--------------------

- Mount the fuel tank breather.



- Thoroughly clean the plug-in connection of the fuel line using compressed air.

i Info

Under no circumstances should dirt enter into the fuel line. Dirt in the fuel line clogs the injection valve.

- Remove the wash cap set. Lubricate the O-ring and connect plug-in connection 7 of the fuel line.

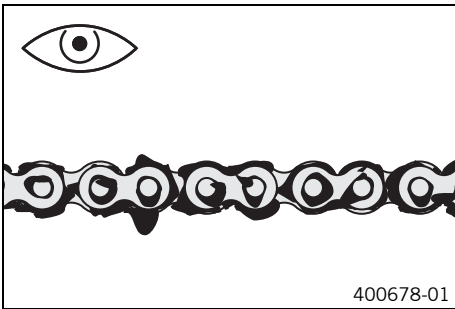
i Info

Route the cable and fuel line at a safe distance from the exhaust system.

Finishing work

- Lock the seat. (☛ p. 48)

11.32 Checking for chain dirt accumulation



- Check the chain for coarse dirt accumulation.
 - » If the chain is very dirty:
 - Clean the chain. (☛ p. 56)

11.33 Cleaning the chain



Warning

Danger of accidents Oil or grease on the tires reduces their grip.

- Remove oil and grease with a suitable cleaning material.



Warning

Danger of accidents Reduced braking efficiency due to oil or grease on the brake discs.

- Always keep the brake discs free of oil and grease, and clean them with brake cleaner when necessary.



Warning

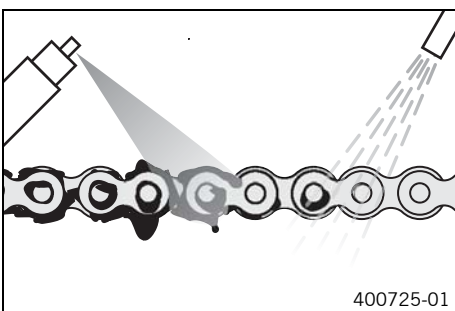
Environmental hazard Hazardous substances cause environmental damage.

- Oil, grease, filters, fuel, cleaners, brake fluid, etc., should be disposed of as stipulated in applicable regulations.



Info

The service life of the chain depends largely on its maintenance.



- Clean the chain regularly and then treat with chain spray.

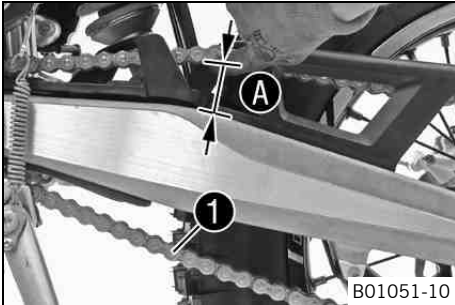
Chain cleaner (☛ p. 110)

Off-road chain spray (☛ p. 110)

11.34 Checking the chain tension

Warning
Danger of accidents Danger caused by incorrect chain tension.

- If the chain tension is too high, the components of the secondary power train (chain, engine sprocket, rear sprocket, bearings in transmission and rear wheel) are under additional load. Apart from premature wear, in extreme cases the chain can rupture or the countershaft of the transmission can break. On the other hand, if the chain is loose, it can fall off the engine sprocket or the rear sprocket and block the rear wheel or damage the engine. Check the chain tension and correct if necessary.



Preparatory work

- Raise the motorcycle with the lift stand. (☛ p. 40)

Main work

- Push the chain at the end of the chain sliding component upwards to measure the chain tension **A**.



Info

The lower chain section **1** must be taut.
 Chain wear is not always even, so you should repeat this measurement at different chain positions.

Chain tension	36... 40 mm (1.42... 1.57 in)
---------------	-------------------------------

- » If the chain tension does not meet specifications:
 - Adjust the chain tension. (☛ p. 57)

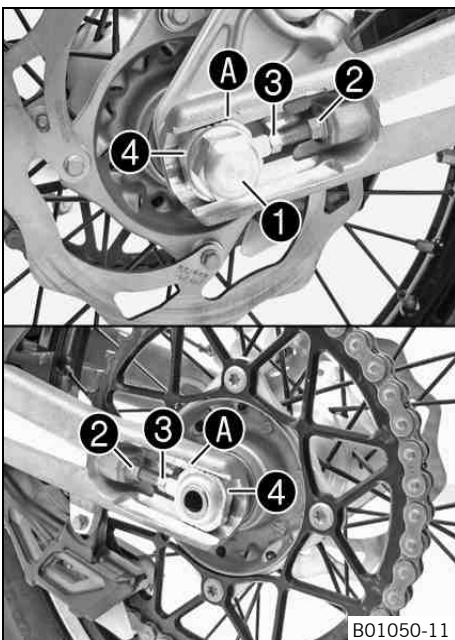
Finishing work

- Remove the motorcycle from the lift stand. (☛ p. 40)

11.35 Adjusting the chain tension

Warning
Danger of accidents Danger caused by incorrect chain tension.

- If the chain tension is too high, the components of the secondary power train (chain, engine sprocket, rear sprocket, bearings in transmission and rear wheel) are under additional load. Apart from premature wear, in extreme cases the chain can rupture or the countershaft of the transmission can break. On the other hand, if the chain is loose, it can fall off the engine sprocket or the rear sprocket and block the rear wheel or damage the engine. Check the chain tension and correct if necessary.



Preparatory work

- Raise the motorcycle with the lift stand. (☛ p. 40)
- Check the chain tension. (☛ p. 57)

Main work

- Loosen nut **1**.
- Loosen nuts **2**.
- Adjust the chain tension by turning adjusting screws **3** on the left and right.

Guideline

Chain tension	36... 40 mm (1.42... 1.57 in)
Turn adjusting screws 3 on the left and right so that the markings on the left and right chain adjusters are in the same position relative to the reference marks A . The rear wheel is then correctly aligned.	

- Tighten nuts **2**.
- Make sure that chain adjusters **4** are fitted correctly on adjusting screws **3**.
- Tighten nut **1**.

Guideline

Nut, rear wheel spindle	M20x1.5	80 Nm (59 lbf ft)
-------------------------	---------	-------------------



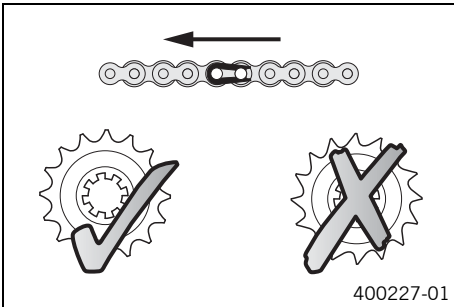
Info

The wide adjustment range of the chain adjusters enables different secondary ratios with the same chain length.
 Chain adjusters **4** can be turned by 180°.

Finishing work

- Remove the motorcycle from the lift stand. (☛ p. 40)

11.36 Checking the chain, rear sprocket, engine sprocket and chain guide



Preparatory work

- Raise the motorcycle with the lift stand. (☛ p. 40)

Main work

- Shift gear to neutral.
- Check the rear sprocket and engine sprocket for wear.
 - » If the rear sprocket and engine sprocket are worn:
 - Replace the rear sprocket or engine sprocket. ☛



Info

The engine sprocket, rear sprocket and chain should always be replaced together.

- Pull on the upper part of the chain with the specified weight **A**.

Guideline

Weight, chain wear measurement	10... 15 kg (22... 33 lb.)
--------------------------------	----------------------------

- Measure the distance **B** of 18 chain links in the lower chain section.



Info

Chain wear is not always even, so you should repeat this measurement at different chain positions.

Maximum distance B at the longest chain section	272 mm (10.71 in)
--	-------------------

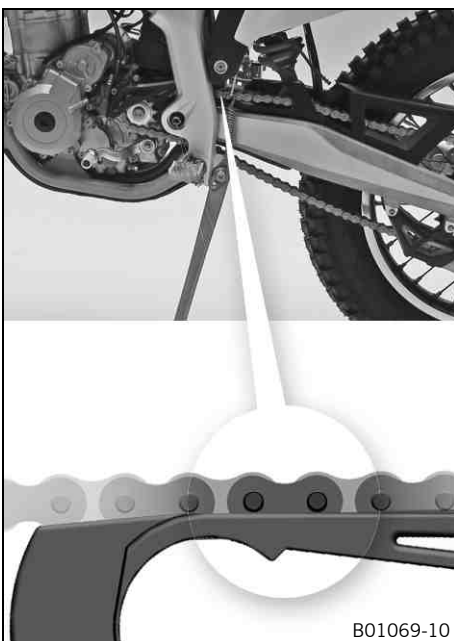
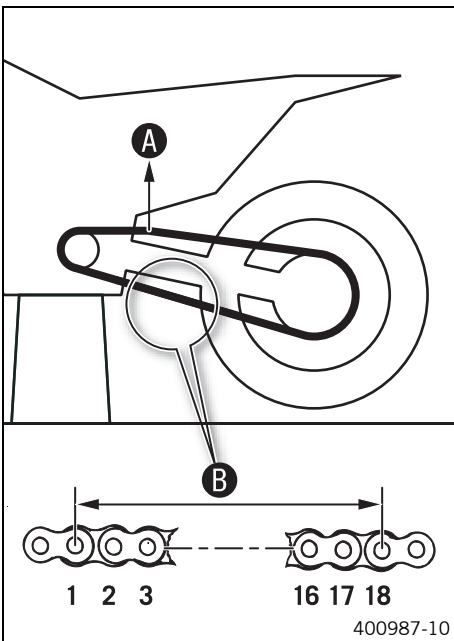
- » If the distance **B** is greater than the specified measurement:

- Replace the chain. ☛



Info

When the chain is replaced, the rear sprocket and engine sprocket should also be changed.
New chains wear out faster on old, worn sprockets.



- Check the chain sliding guard for wear.
 - » If the bottom edge of the chain bolt is in line with or below the chain sliding guard:
 - Change the chain sliding guard. ☛
- Check that the chain sliding guard is firmly seated.
 - » If the chain sliding guard is loose:
 - Tighten the chain sliding guard.

Guideline

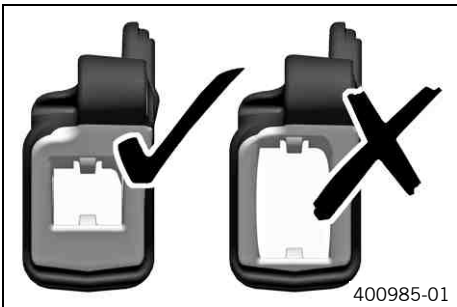
Remaining screws, chassis	M6	10 Nm (7.4 lbf ft)
---------------------------	----	-----------------------



- Check the chain sliding piece for wear.
 - » If the bottom edge of the chain bolt is in line with or below the chain sliding piece:
 - Change the chain sliding piece. 🛠️
- Check that the chain sliding piece is firmly seated.
 - » If the chain sliding piece is loose:
 - Tighten the chain sliding piece.

Guideline

Screw, chain sliding piece	M8	15 Nm (11.1 lbf ft)
----------------------------	----	------------------------



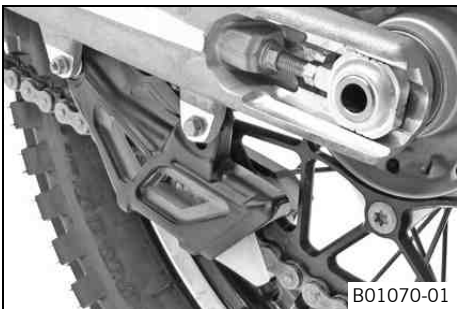
- Check the chain guide for wear.



Info

Wear can be seen on the front of the chain guide.

- » If the light part of the chain guide is worn:
 - Change the chain guide. 🛠️



- Check that the chain guide is firmly seated.
 - » If the chain guide is loose:
 - Tighten the chain guide.

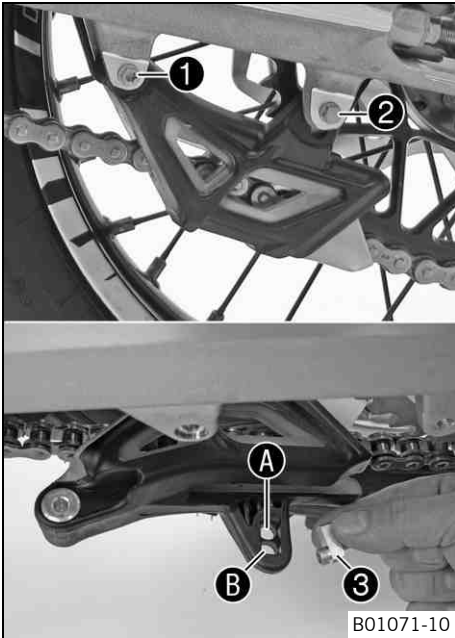
Guideline

Remaining screws, chassis	M6	10 Nm (7.4 lbf ft)
Remaining nuts, chassis	M6	10 Nm (7.4 lbf ft)

Finishing work

- Remove the motorcycle from the lift stand. (👉 p. 40)

11.37 Adjusting the chain guide 🛠️



- Remove the nut of screw ❶.
- Remove screws ❶ and ❷. Take off the chain guide.

Condition

Number of teeth: ≤ 44 teeth

- Insert nut ❸ in hole ❶. Position the chain guide.
- Mount and tighten screws ❶ and ❷.

Guideline

Remaining screws, chassis	M6	10 Nm (7.4 lbf ft)
---------------------------	----	-----------------------

- Mount the nut on screw ❶ and tighten.

Guideline

Remaining nuts, chassis	M6	10 Nm (7.4 lbf ft)
-------------------------	----	-----------------------

Condition

Number of teeth: ≥ 45 teeth

- Insert nut ❸ in hole ❷. Position the chain guide.
- Mount and tighten screws ❶ and ❷.

Guideline

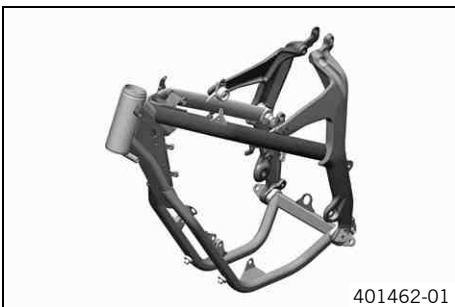
Remaining screws, chassis	M6	10 Nm (7.4 lbf ft)
---------------------------	----	-----------------------

- Mount the nut on screw ❶ and tighten.

Guideline

Remaining nuts, chassis	M6	10 Nm (7.4 lbf ft)
-------------------------	----	-----------------------

11.38 Checking the frame 🛠️



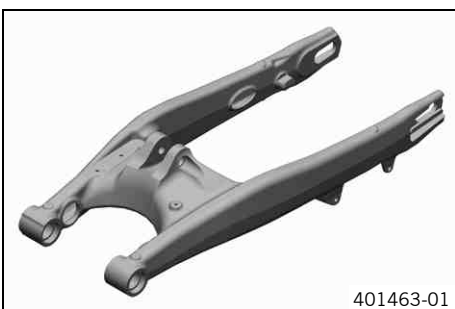
- Check the frame for cracking and deformation.
 - » If the frame exhibits cracking or deformation due to a mechanical impact:
 - Change the frame. 🛠️



Info

A frame that has been damaged due to a mechanical impact must always be changed. Repair of the frame is not authorized by KTM.

11.39 Checking the swingarm 🛠️



- Check the swingarm for damage, cracking, and deformation.
 - » If the swingarm shows signs of damage, cracking, or deformation:
 - Change the swingarm. 🛠️



Info

A damaged swingarm must always be changed. Repair of the swingarm is not authorized by KTM.

11.40 Checking the throttle cable routing

Preparatory work

- Fold the seat up. (☞ p. 48)
- Remove the fuel tank. ☞ (☞ p. 53)

Main work

- Check the throttle cable routing.

Both throttle cables must be routed to the throttle valve body side by side behind the handlebars and above the fuel tank bearing.

- » If the throttle cable is not routed as specified:
 - Correct the throttle cable routing.

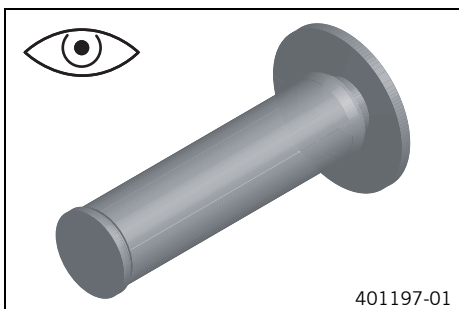


B01080-10

Finishing work

- Install the fuel tank. ☞ (☞ p. 55)
- Lock the seat. (☞ p. 48)

11.41 Checking the rubber grip



401197-01

- Check the rubber grips on the handlebar for damage and wear and to ensure they are firmly seated.
 - » If a rubber grip is damaged, worn or loose:
 - Change and secure the rubber grip.

Rubber grip adhesive (00062030051) (☞ p. 111)

11.42 Additionally securing the rubber grip



401198-01

Preparatory work

- Check the rubber grip. (☞ p. 61)

Main work

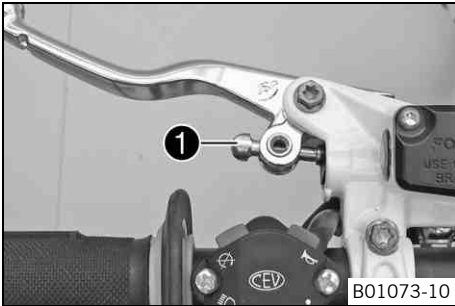
- Secure the rubber grip at two points using the securing wire.

Securing wire (54812016000)

Wire twister forceps (U6907854)

- ✓ The twisted wire ends face away from the hands and are bent toward the rubber grip.

11.43 Adjusting the basic position of the clutch lever



- Adjust the basic position of the clutch lever to your hand size by turning adjusting screw ❶.

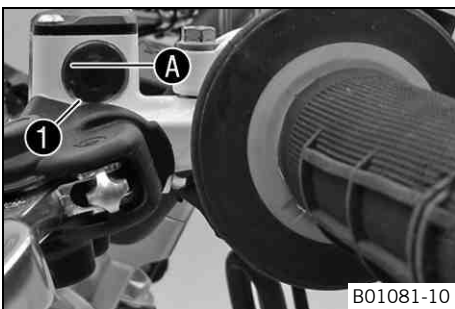
Info

Turn the adjusting screw clockwise to increase the distance between the clutch lever and the handlebar.
Turn the adjusting screw counterclockwise to decrease the distance between the clutch lever and the handlebar.
The range of adjustment is limited.
Turn the adjusting screw by hand only, and do not apply force.
Do not make any adjustments while riding!

11.44 Checking the fluid level of the hydraulic clutch

Info

The fluid level rises with increasing wear of the clutch facing discs.

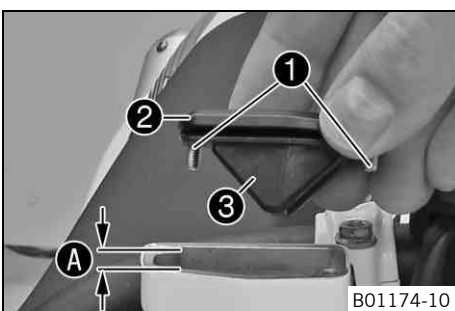


- Move the clutch fluid reservoir mounted on the handlebar to a horizontal position.
- Check the fluid level in viewer ❶.
 - » If the fluid has dropped below marking A in the viewer:
 - Correct the fluid level of the hydraulic clutch. (☞ p. 62)

11.45 Correcting the fluid level of the hydraulic clutch

Info

The fluid level rises with increasing wear of the clutch facing discs.



- Move the clutch fluid reservoir mounted on the handlebar to a horizontal position.
- Remove screws ❶.
- Remove cover ❷ with membrane ❸.
- Add fluid to level A.

Guideline

Level A (fluid level below container rim)	4 mm (0.16 in)
---	----------------

Brake fluid DOT 4 / DOT 5.1 (☞ p. 108)

- Position the cover with the membrane. Mount and tighten the screws.

Info

Clean up overflowed or spilt brake fluid immediately with water.

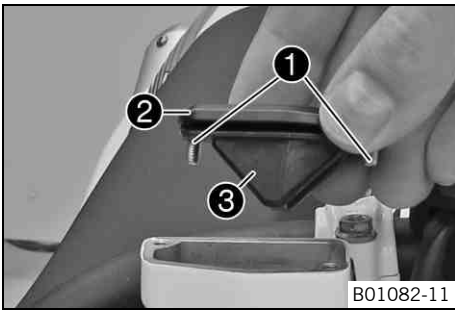
11.46 Changing the hydraulic clutch fluid 🐾



Warning

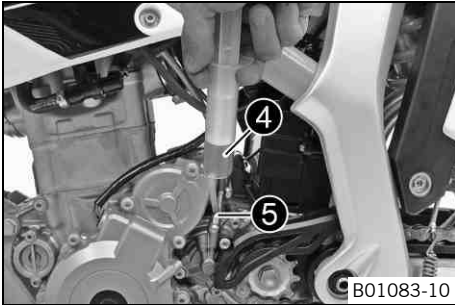
Environmental hazard Hazardous substances cause environmental damage.

- Oil, grease, filters, fuel, cleaners, brake fluid, etc., should be disposed of as stipulated in applicable regulations.



B01082-11

- Move the clutch fluid reservoir mounted on the handlebar to a horizontal position.
- Remove screws ❶.
- Remove cover ❷ with membrane ❸.



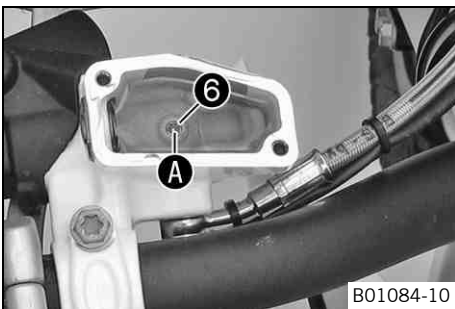
B01083-10

- Fill bleeding syringe ❹ with the appropriate hydraulic fluid.

Bleed syringe (50329050000)

Brake fluid DOT 4 / DOT 5.1 (☛ p. 108)
--

- On the clutch slave cylinder, remove bleeder screw ❺ and mount bleeding syringe ❹.



B01084-10

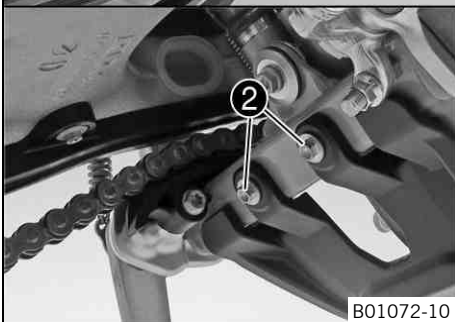
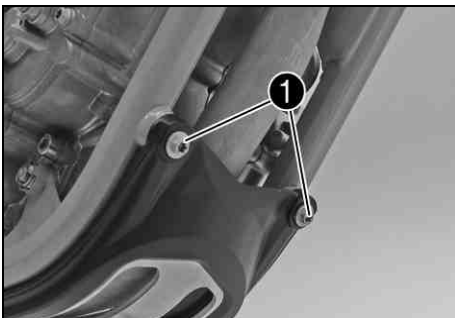
- Remove screw ❻ with the O-ring.
- Inject the liquid into the system until it escapes from opening A of the master cylinder without bubbles.
- To prevent overflow, drain fluid occasionally from the master cylinder reservoir.
- Mount and tighten screw ❻ with the O-ring.
- Remove the bleeding syringe. Mount and tighten screws bleeder screw.
- Correct the fluid level of the hydraulic clutch.

Guideline

Fluid level below container rim	4 mm (0.16 in)
---------------------------------	----------------

- Position the cover with the membrane. Mount and tighten the screws.

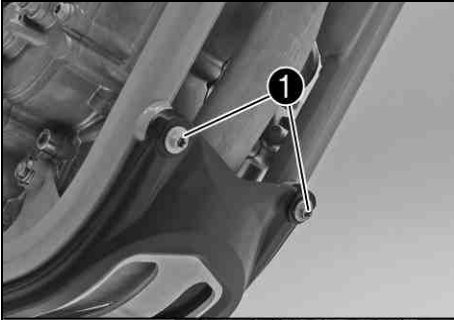
11.47 Removing the engine guard



B01072-10

- Remove screws ❶ and ❷.
- Lower the engine guard at the rear and remove it toward the front.

11.48 Installing the engine guard



- Position the engine guard on the frame at the front and mount screws ❶ but do not tighten yet.
- Position the engine guard on the frame at the rear and mount and tighten screws ❷.

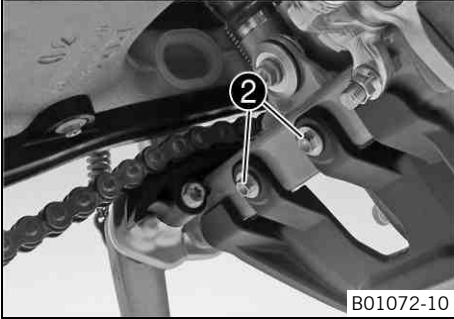
Guideline

Remaining screws, chassis	M6	10 Nm (7.4 lbf ft)
---------------------------	----	--------------------

- Tighten screws ❶.

Guideline

Remaining screws, chassis	M6	10 Nm (7.4 lbf ft)
---------------------------	----	--------------------

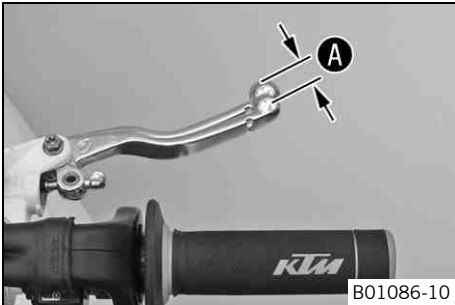


B01072-10

12.1 Checking the free travel of the hand brake lever

Warning
Danger of accidents Brake system failure.

- If there is no free travel on the hand brake lever, pressure builds up on the front brake circuit. The front brake can fail due to overheating. Adjust the free travel on hand brake lever according to specifications.



- Push the hand brake to the handlebar and check free travel **A**.

Free travel of hand brake lever	≥ 3 mm (≥ 0.12 in)
---------------------------------	--------------------

- » If the free travel does not meet specifications:
 - Adjust the free travel of the handbrake lever. (☛ p. 65)

12.2 Adjusting the free travel of the handbrake lever



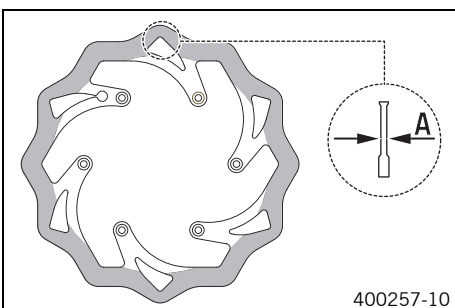
- Check the free travel of the hand brake lever. (☛ p. 65)
- Adjust the free travel of the handbrake lever with adjustment screw **1**.

i Info
 Turn the adjustment screw clockwise to reduce free travel. The pressure point moves away from the handlebar.
 Turn the adjustment screw counterclockwise to increase free travel. The pressure point moves towards the handlebar.
 The range of adjustment is limited.
 Turn the adjusting screw by hand only, and do not apply force.
 Do not make any adjustments while riding!

12.3 Checking the brake discs

Warning
Danger of accidents Reduced braking efficiency due to worn brake disc(s).

- Change the worn brake disc(s) without delay. (Your authorized KTM workshop will be glad to help.)



- Check the thickness of the front and rear brake discs at several places on the disk to see if it conforms to measurement **A**.

i Info
 Wear reduces the thickness of the brake disc around the area used by the brake linings.

Brake discs - wear limit	
Front	2.5 mm (0.098 in)
Rear	3.5 mm (0.138 in)

- » If the brake disc thickness is less than the specified value:
 - Change the brake disc.
- Check the front and rear brake discs for damage, cracking and deformation.
 - » If the brake disc shows signs of damage, cracking, or deformation:
 - Change the brake disc.

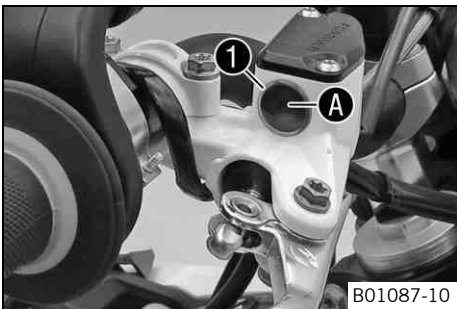
12.4 Checking the brake fluid level of the front brake

Warning
Danger of accidents Brake system failure.

- If the brake fluid level drops below the specified marking or the specified value, this is an indication that the brake system is leaking or that the brake linings are completely worn down. Check the brake system and do not continue riding. (Your authorized KTM workshop will be glad to help.)

Warning
Danger of accidents Reduced braking efficiency due to old brake fluid.

- Change the brake fluid of the front and rear brake according to the service schedule. (Your authorized KTM workshop will be glad to help.)



- Move the brake fluid reservoir mounted on the handlebar to a horizontal position.
- Check the brake fluid level in the viewer 1.
 - » If the brake fluid has dropped below marking A:
 - Add front brake fluid. 🛠️ (📖 p. 66)

12.5 Adding front brake fluid 🛠️

Warning
Danger of accidents Brake system failure.

- If the brake fluid level drops below the specified marking or the specified value, this is an indication that the brake system is leaking or that the brake linings are completely worn down. Check the brake system and do not continue riding. (Your authorized KTM workshop will be glad to help.)

Warning
Skin irritation Brake fluid can cause skin irritation on contact.

- Avoid contact with skin and eyes, and keep out of the reach of children.
- Wear suitable protective clothing and goggles.
- If brake fluid comes into contact with the eyes, flush the eyes thoroughly with water and consult a physician immediately.

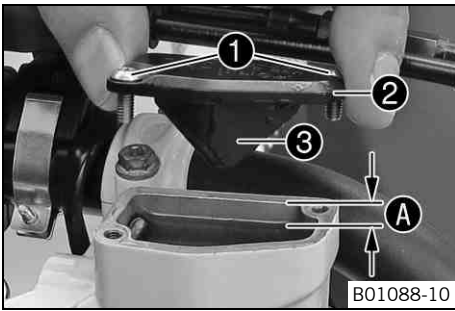
Warning
Danger of accidents Reduced braking efficiency due to old brake fluid.

- Change the brake fluid of the front and rear brake according to the service schedule. (Your authorized KTM workshop will be glad to help.)

Warning
Environmental hazard Hazardous substances cause environmental damage.

- Oil, grease, filters, fuel, cleaners, brake fluid, etc., should be disposed of as stipulated in applicable regulations.

Info
 Never use DOT 5 brake fluid! It is silicone-based and purple in color. Oil seals and brake lines are not designed for DOT 5 brake fluid.
 Avoid contact between brake fluid and painted parts. Brake fluid attacks paint!
 Use only clean brake fluid from a sealed container.



- Move the brake fluid reservoir mounted on the handlebar to a horizontal position.
- Remove screws ❶.
- Remove cover ❷ with membrane ❸.
- Add brake fluid to level A.

Guideline

Level A (brake fluid level below container rim)	5 mm (0.2 in)
---	---------------

Brake fluid DOT 4 / DOT 5.1 (☞ p. 108)

- Position the cover with the membrane. Mount and tighten the screws.



Info

Clean up overflowed or spilt brake fluid immediately with water.

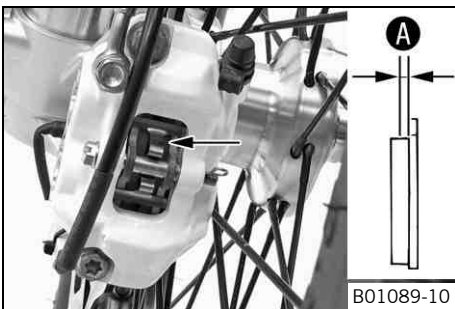
12.6 Checking the front brake linings



Warning

Danger of accidents Reduced braking efficiency caused by worn brake linings.

- Change worn brake linings immediately. (Your authorized KTM workshop will be glad to help.)



- Check the brake linings for minimum thickness A.

Minimum thickness A	≥ 1 mm (≥ 0.04 in)
---------------------	--------------------

- » If the minimum thickness is less than specified:
 - Change the front brake linings. ☞ (☞ p. 67)
- Check the brake linings for damage and cracking.
 - » If damage or cracking is visible:
 - Change the front brake linings. ☞ (☞ p. 67)

12.7 Changing the front brake linings ☞



Warning

Danger of accident Brake system failure.

- Maintenance work and repairs must be carried out professionally. (Your authorized KTM workshop will be glad to help.)



Warning

Skin irritation Brake fluid can cause skin irritation on contact.

- Avoid contact with skin and eyes, and keep out of the reach of children.
- Wear suitable protective clothing and goggles.
- If brake fluid comes into contact with the eyes, flush the eyes thoroughly with water and consult a physician immediately.



Warning

Danger of accidents Reduced braking efficiency due to old brake fluid.

- Change the brake fluid of the front and rear brake according to the service schedule. (Your authorized KTM workshop will be glad to help.)



Warning

Danger of accidents Reduced braking efficiency due to oil or grease on the brake discs.

- Always keep the brake discs free of oil and grease, and clean them with brake cleaner when necessary.



Warning

Danger of accidents Reduced braking efficiency due to use of non-approved brake linings.

- Brake linings available from accessory suppliers are often not tested and approved for use on KTM vehicles. The construction and friction factor of the brake linings and therefore the brake power can differ considerably from the original KTM brake linings. If brake linings are used that differ from the originals, there is no guarantee that they comply with the original license. The vehicle no longer corresponds to the condition at delivery, and the warranty is no longer valid.

Warning

Environmental hazard Hazardous substances cause environmental damage.

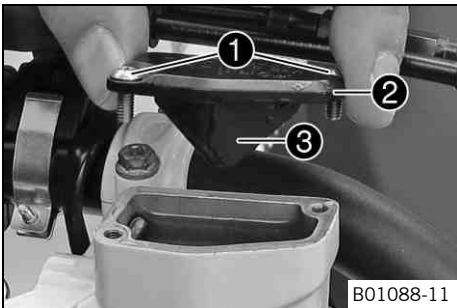
- Oil, grease, filters, fuel, cleaners, brake fluid, etc., should be disposed of as stipulated in applicable regulations.

i Info

Never use DOT 5 brake fluid! It is silicone-based and purple in color. Oil seals and brake lines are not designed for DOT 5 brake fluid.

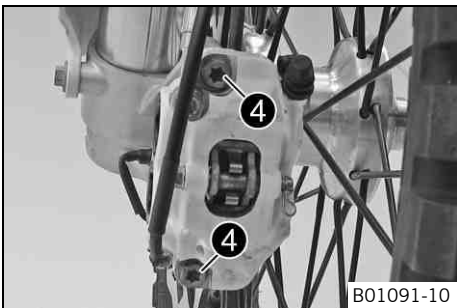
Avoid contact between brake fluid and painted parts. Brake fluid attacks paint!

Use only clean brake fluid from a sealed container.



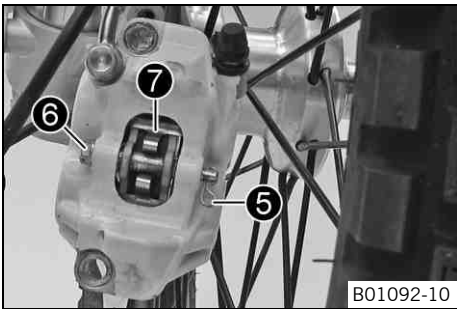
B01088-11

- Move the brake fluid reservoir mounted on the handlebar to a horizontal position.
- Remove screws ①.
- Remove cover ② with membrane ③.



B01091-10

- Remove screws ④ and spacers.
- Press back the brake linings with a light lateral tilting of the brake caliper on the brake disc. Carefully pull the brake caliper backwards from the brake disc.
- Press the brake piston back to its basic position and make sure that no brake fluid overflows from the brake fluid reservoir.



B01092-10

- Remove cotter pin ⑤.
- Remove bolt ⑥.
- Take off retaining spring ⑦ and remove the brake linings.
- Clean the brake caliper.
- Position the brake linings.

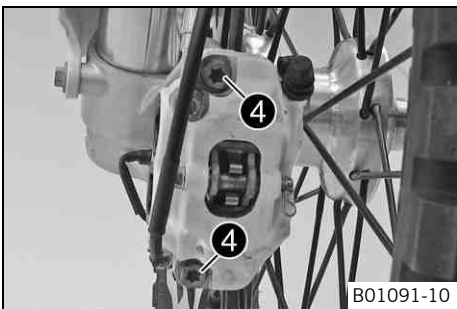
i Info

Always change the brake linings in pairs.

- Position retaining spring ⑦.
- Mount bolt ⑥.
- Mount spring connector ⑤.

i Info

To make it easier to mount the bolt, push the retaining spring down. Make sure the retaining spring is seated correctly.



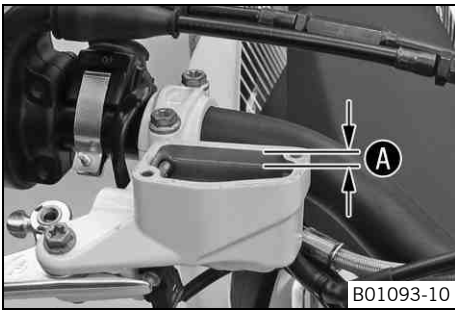
B01091-10

- Position the brake caliper. Mount screws ④ with the spacers but do not tighten yet.
- Operate the hand brake lever repeatedly until the brake linings are in contact with the brake disc and there is a pressure point. Fix the hand brake lever in the activated position.
- ✓ The brake caliper straightens.
- Tighten screws ④.

Guideline

Screw, front brake caliper	M8	25 Nm (18.4 lbf ft)	Loctite® 243™
----------------------------	----	------------------------	---------------

- Remove the fixation of the hand brake lever.



- Add brake fluid to level **A**.

Guideline

Level A (brake fluid level below container rim)	5 mm (0.2 in)
--	---------------

Brake fluid DOT 4 / DOT 5.1 (☞ p. 108)
--

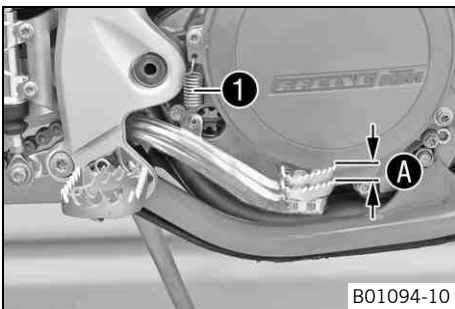
- Position the cover with the membrane. Mount and tighten the screws.

i Info
Clean up overflowed or spilt brake fluid immediately with water.

12.8 Checking the free travel of foot brake lever

Warning
Danger of accidents Brake system failure.

- If there is no free travel on the foot brake lever, pressure builds up on the rear brake circuit. The rear brake can fail due to overheating. Adjust the free travel on foot brake lever according to specifications.



- Disconnect spring **1**.
- Move the foot brake lever back and forth between the end stop and the contact to the foot brake cylinder piston and check free travel **A**.

Guideline

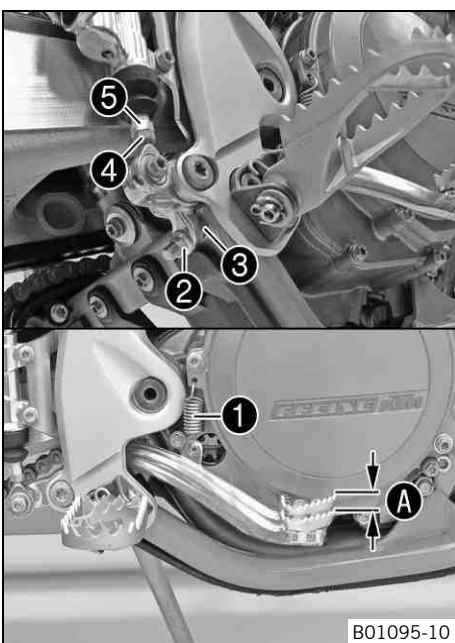
Free travel at foot brake lever	3... 5 mm (0.12... 0.2 in)
---------------------------------	----------------------------

- » If the free travel does not meet specifications:
 - Adjust the basic position of the foot brake lever. ☞ (☞ p. 69)
- Reconnect spring **1**.

12.9 Adjusting the basic position of the foot brake lever ☞

Warning
Danger of accidents Brake system failure.

- If there is no free travel on the foot brake lever, pressure builds up on the rear brake circuit. The rear brake can fail due to overheating. Adjust the free travel on foot brake lever according to specifications.



- Disconnect spring **1**.
- Loosen nut **4** and, with push rod **5**, turn it back until you have maximum free travel.
- To adjust the basic position of the foot brake lever individually, loosen nut **2** and turn screw **3** accordingly.

i Info
The range of adjustment is limited.

- Turn push rod **5** accordingly until you have free travel **A**. If necessary, adjust the basic position of the foot brake lever.

Guideline

Free travel at foot brake lever	3... 5 mm (0.12... 0.2 in)
---------------------------------	----------------------------

- Hold screw **3** and tighten nut **2**.

Guideline

Nut, foot brake lever stop	M8	20 Nm (14.8 lbf ft)
----------------------------	----	---------------------

- Hold push rod **5** and tighten nut **4**.

Guideline

Remaining nuts, chassis	M6	10 Nm (7.4 lbf ft)
-------------------------	----	--------------------

- Reconnect spring **1**.

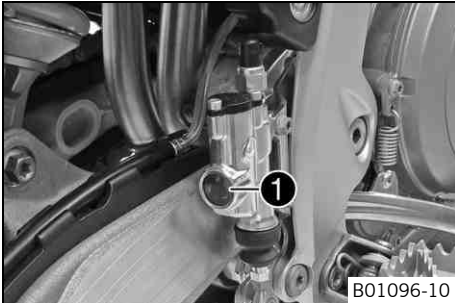
12.10 Checking the rear brake fluid level

**Warning****Danger of accidents** Failure of the brake system.

- If the brake fluid level falls below the **MIN** mark, this indicates a leakage in the brake system or worn-out brake linings. Check the brake system and do not continue riding. (Your authorized KTM workshop will be glad to help.)

**Warning****Danger of accidents** Reduced braking efficiency due to old brake fluid.

- Change the brake fluid of the front and rear brake according to the service schedule. (Your authorized KTM workshop will be glad to help.)



- Stand the vehicle upright.
- Check the brake fluid level in the viewer ❶.
 - » When in the viewer ❶ an air bubble is visible:
 - Add rear brake fluid. 🛠️ (👉 p. 70)

12.11 Adding rear brake fluid 🛠️

**Warning****Danger of accidents** Failure of the brake system.

- If the brake fluid level falls below the **MIN** mark, this indicates a leakage in the brake system or worn-out brake linings. Check the brake system and do not continue riding. (Your authorized KTM workshop will be glad to help.)

**Warning****Skin irritation** Brake fluid can cause skin irritation on contact.

- Avoid contact with skin and eyes, and keep out of the reach of children.
- Wear suitable protective clothing and goggles.
- If brake fluid comes into contact with the eyes, flush the eyes thoroughly with water and consult a physician immediately.

**Warning****Danger of accidents** Reduced braking efficiency due to old brake fluid.

- Change the brake fluid of the front and rear brake according to the service schedule. (Your authorized KTM workshop will be glad to help.)

**Warning****Environmental hazard** Hazardous substances cause environmental damage.

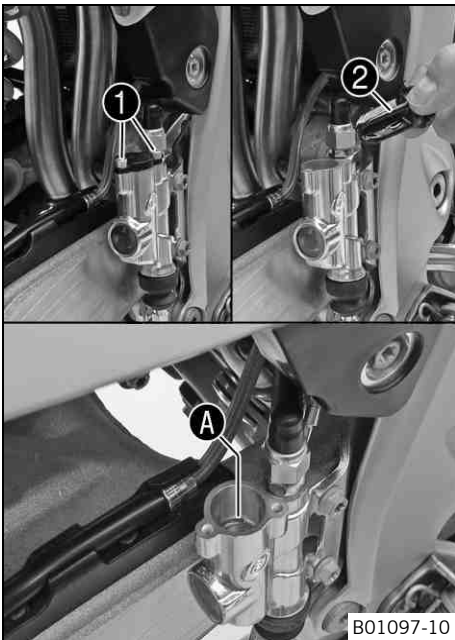
- Oil, grease, filters, fuel, cleaners, brake fluid, etc., should be disposed of as stipulated in applicable regulations.

**Info**

Never use DOT 5 brake fluid! It is silicone-based and purple in color. Oil seals and brake lines are not designed for DOT 5 brake fluid.

Avoid contact between brake fluid and painted parts. Brake fluid attacks paint!

Use only clean brake fluid from a sealed container.



- Stand the vehicle upright.
- Remove screws ❶.
- Remove cover with membrane ❷.
- Add brake fluid to level A.

Brake fluid DOT 4 / DOT 5.1 (☞ p. 108)
--

- Mount the cover with the membrane.
- Mount and tighten the screws.



Info

Clean up overflowed or spilt brake fluid immediately with water.

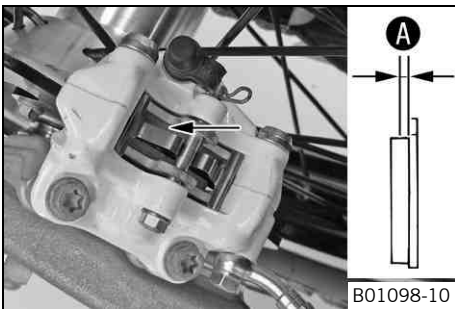
12.12 Checking the rear brake linings



Warning

Danger of accidents Reduced braking efficiency caused by worn brake linings.

- Change worn brake linings immediately. (Your authorized KTM workshop will be glad to help.)



- Check the brake linings for minimum thickness A.

Minimum thickness A	≥ 1 mm (≥ 0.04 in)
---------------------	--------------------

- » If the minimum thickness is less than specified:
 - Change the rear brake linings. ☞ (☞ p. 71)
- Check the brake linings for damage and cracking.
 - » If damage or cracking is visible:
 - Change the rear brake linings. ☞ (☞ p. 71)

12.13 Changing the rear brake linings ☞



Warning

Danger of accident Brake system failure.

- Maintenance work and repairs must be carried out professionally. (Your authorized KTM workshop will be glad to help.)



Warning

Skin irritation Brake fluid can cause skin irritation on contact.

- Avoid contact with skin and eyes, and keep out of the reach of children.
- Wear suitable protective clothing and goggles.
- If brake fluid comes into contact with the eyes, flush the eyes thoroughly with water and consult a physician immediately.



Warning

Danger of accidents Reduced braking efficiency due to old brake fluid.

- Change the brake fluid of the front and rear brake according to the service schedule. (Your authorized KTM workshop will be glad to help.)



Warning

Danger of accidents Reduced braking efficiency due to oil or grease on the brake discs.

- Always keep the brake discs free of oil and grease, and clean them with brake cleaner when necessary.



Warning

Danger of accidents Reduced braking efficiency due to use of non-approved brake linings.

- Brake linings available from accessory suppliers are often not tested and approved for use on KTM vehicles. The construction and friction factor of the brake linings and therefore the brake power can differ considerably from the original KTM brake linings. If brake linings are used that differ from the originals, there is no guarantee that they comply with the original license. The vehicle no longer corresponds to the condition at delivery, and the warranty is no longer valid.



Warning

Environmental hazard Hazardous substances cause environmental damage.

- Oil, grease, filters, fuel, cleaners, brake fluid, etc., should be disposed of as stipulated in applicable regulations.

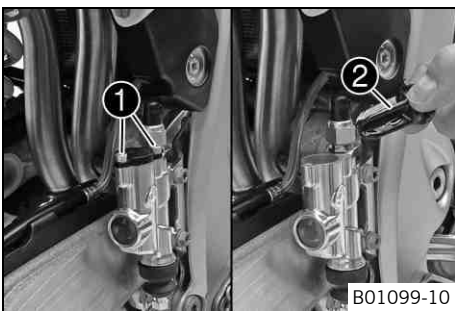


Info

Never use DOT 5 brake fluid! It is silicone-based and purple in color. Oil seals and brake lines are not designed for DOT 5 brake fluid.

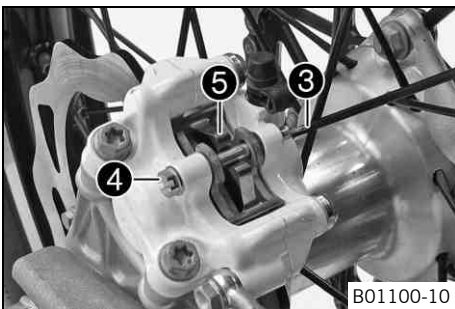
Avoid contact between brake fluid and painted parts. Brake fluid attacks paint!

Use only clean brake fluid from a sealed container.



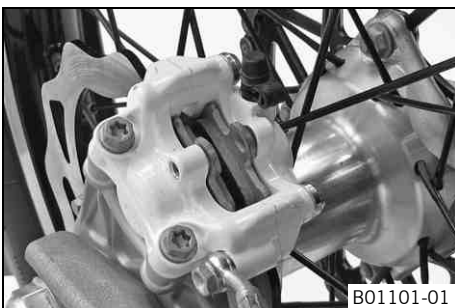
B01099-10

- Stand the vehicle upright.
- Remove screws ❶.
- Remove cover with membrane ❷.
- Press the brake piston back to its basic position and make sure that no brake fluid overflows from the brake fluid reservoir.



B01100-10

- Take off spring connector ❸ and remove bolt ❹.
- Take off retainer spring ❺ and remove the brake linings.
- Clean the brake caliper.



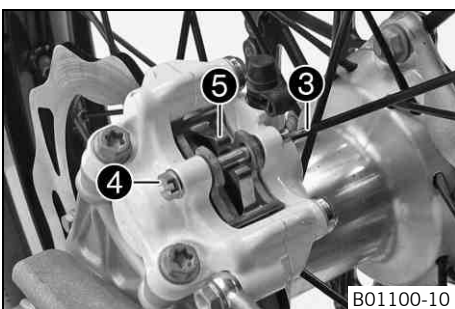
B01101-01

- Position the brake linings.



Info

Always change the brake linings in pairs.



B01100-10

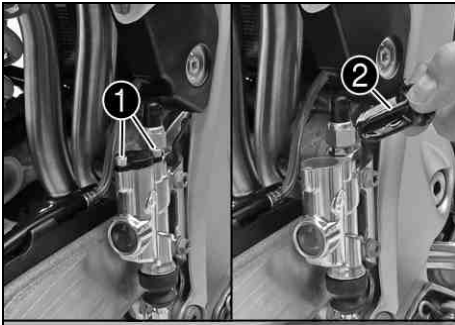
- Position retaining spring ❺.
- Mount bolt ❹.
- Mount spring connector ❸.



Info

To make it easier to mount the bolt, push the retaining spring down. Make sure the retaining spring is seated correctly.

- Operate the foot brake lever repeatedly until the brake linings are in contact with the brake disc and there is a pressure point.



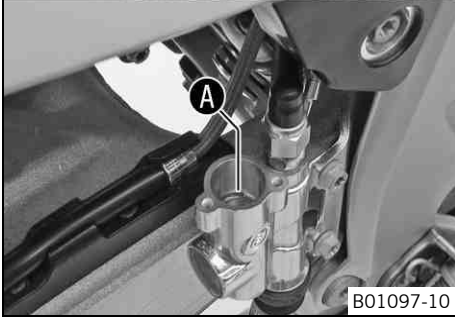
- Add brake fluid to level **A**.

Brake fluid DOT 4 / DOT 5.1 (☞ p. 108)

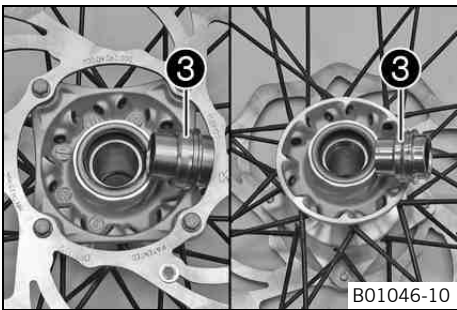
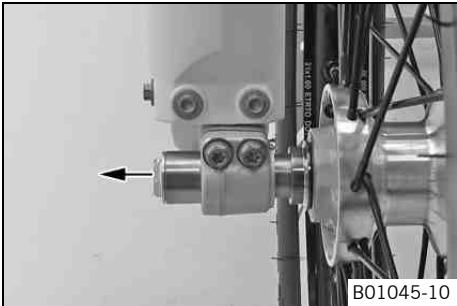
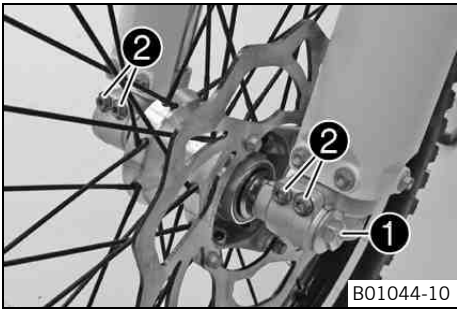
- Mount the cover with the membrane **2**.
- Mount and tighten screws **1**.

i **Info**

Clean up overflowed or spilt brake fluid immediately with water.



13.1 Removing the front wheel



Preparatory work

- Raise the motorcycle with the lift stand. (☛ p. 40)

Main work

- Remove screw ①.
- Release screws ②.

- Holding the front wheel, withdraw the wheel spindle. Take the front wheel out of the fork.

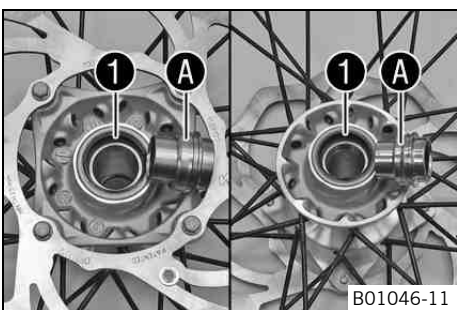
i Info

Do not pull the hand brake lever when the front wheel is removed. Always lay the wheel down in such a way that the brake disc is not damaged.

- Remove spacers ③.

13.2 Installing the front wheel

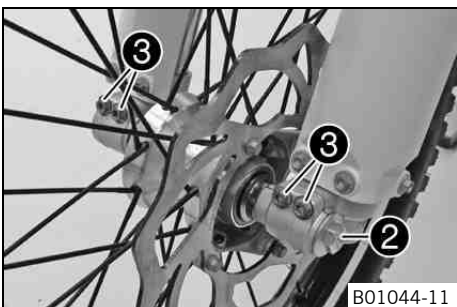
Warning
Danger of accidents Reduced braking efficiency due to oil or grease on the brake discs.
 - Always keep the brake discs free of oil and grease, and clean them with brake cleaner when necessary.



- Check the wheel bearing for damage and wear.
 » If the wheel bearing is damaged or worn:
 - Change the wheel bearing. ☛
- Clean and grease the shaft seal rings ① and contact surface ④ of the spacers.

Long-life grease (☛ p. 110)

- Insert the spacers.



- Lift the front wheel into the fork, position it, and insert the wheel spindle.
- Mount and tighten screw ②.

Guideline

Screw, front wheel spindle	M20x1.5	35 Nm (25.8 lbf ft)
----------------------------	---------	------------------------

- Activate the hand brake lever multiple times until the brake linings are in contact with the brake disc.
- Remove the motorcycle from the lift stand. (☛ p. 40)

- Pull the front wheel brake and push down hard on the fork several times to align the fork legs.
- Tighten screw ③.

Guideline

Screw, fork stub	M8	15 Nm (11.1 lbf ft)
------------------	----	------------------------

13.3 Removing the rear wheel

Preparatory work

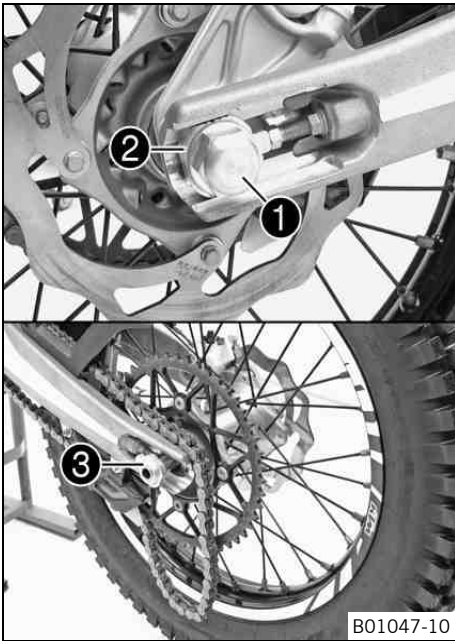
- Raise the motorcycle with the lift stand. (☛ p. 40)

Main work

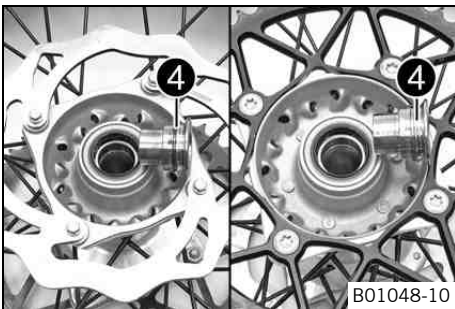
- Remove nut ①.
- Remove chain adjuster ②. Withdraw wheel spindle ③ only enough to allow the rear wheel to be pushed forward.
- Push the rear wheel forward as far as possible. Remove the chain from the rear sprocket.
- Holding the rear wheel, withdraw the wheel spindle. Take the rear wheel out of the swing arm.

Info

Do not operate the foot brake when the rear wheel is removed. Always lay the wheel down in such a way that the brake disc is not damaged.



B01047-10



B01048-10

- Remove spacers ④.

13.4 Installing the rear wheel

Warning

Danger of accidents Reduced braking efficiency due to oil or grease on the brake discs.

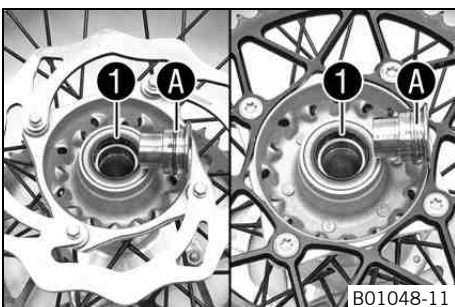
- Always keep the brake discs free of oil and grease, and clean them with brake cleaner when necessary.

Main work

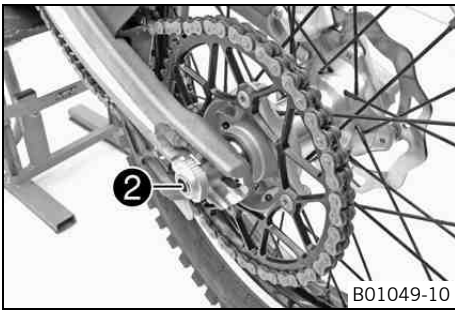
- Check the wheel bearing for damage and wear.
 - » If the wheel bearing is damaged or worn:
 - Change the wheel bearing. ☛
- Clean and grease the shaft seal rings ① and contact surface ② of the spacers.

Long-life grease (☛ p. 110)

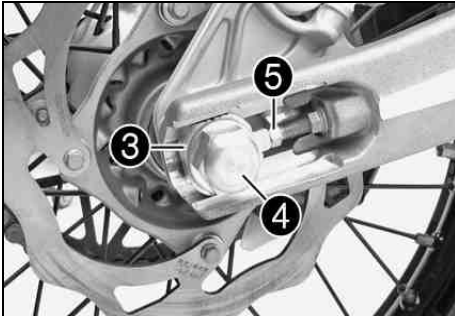
- Insert the spacers.



B01048-11



- Lift the rear wheel into the swing arm, position it, and insert the wheel spindle ②.
- Put the chain on.

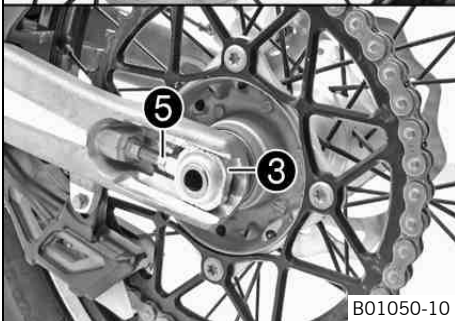


- Position chain adjuster ③. Mount nut ④, but do not tighten it yet.
- Make sure that chain adjusters ③ are fitted correctly on adjusting screws ⑤.
- Check the chain tension. (☛ p. 57)
- Tighten nut ④.

Guideline

Nut, rear wheel spindle	M20x1.5	80 Nm (59 lbf ft)
-------------------------	---------	-------------------

i Info
The wide adjustment range of the chain adjusters enables different secondary ratios with the same chain length.
Chain adjusters ③ can be turned by 180°.



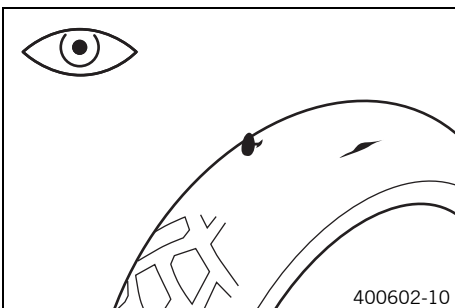
- Operate the foot brake lever repeatedly until the brake linings are in contact with the brake disc and there is a pressure point.

Finishing work

- Remove the motorcycle from the lift stand. (☛ p. 40)

13.5 Checking the tire condition

i Info
Only mount tires approved and/or recommended by KTM.
Other tires could have a negative effect on handling characteristics.
The type, condition, and air pressure of the tires all have a major impact on the handling characteristics of the motorcycle.
The tires mounted on the front and rear wheels must have a similar profile.
Worn tires have a negative effect on riding behavior, especially on wet surfaces.
If used regularly on public roads, tires wear much faster and the minimum tread depth and general condition of the tires must be checked more frequently.



- Check the front and rear tires for cuts, run-in objects, and other damage.
 - » If the tires exhibit cuts, run-in objects, or other damage:
 - Change the tires.
- Check the depth of the tread.

i Info
Note local national regulations concerning the minimum tread depth.

Minimum tread depth	≥ 2 mm (≥ 0.08 in)
---------------------	--------------------

- » If the tread depth is less than the minimum permissible depth:
 - Change the tires.
- Check the age of the tires.



Info

The tire's date of manufacture is usually part of the tire markings and is indicated by four digits. The first two digits refer to the week of manufacture and last two digits refer to the year of manufacture. KTM recommends that the tires be changed after 5 years at the latest, regardless of the actual state of wear.

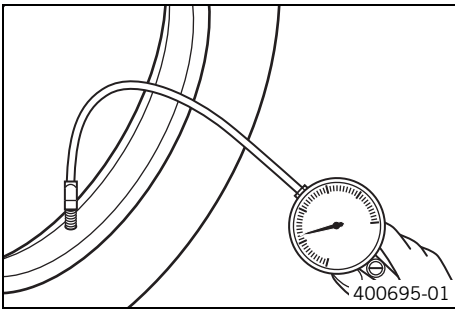
- » If a tire is more than 5 years old:
 - Change the tires.

13.6 Checking the tire air pressure



Info

Low tire air pressure leads to abnormal wear and overheating of the tire. Correct tire air pressure ensures optimal riding comfort and maximum tire service life.



- Remove the dust cap.
- Check the tire air pressure when the tires are cold.

Tire air pressure off road	
Front	0.9 bar (13 psi)
Rear	0.7 bar (10 psi)

Tire air pressure, road	
Front	1.5 bar (22 psi)
Rear	1.5 bar (22 psi)

- » If the tire pressure does not meet specifications:
 - Correct the tire pressure.
- Mount the dust cap.

13.7 Checking the spoke tension



Warning

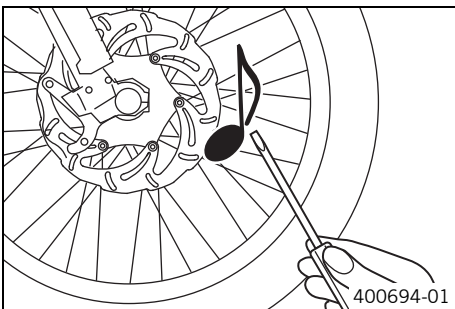
Danger of accidents Instable handling due to incorrect spoke tension.

- Ensure that the spoke tension is correct. (Your authorized KTM workshop will be glad to help.)



Info

A loose spoke causes wheel imbalance and rapidly leads to more loose spokes. If the spokes are too tight, they can break due to local overload. Check the spoke tension regularly, especially on a new motorcycle.



- Briefly strike each spoke with the tip of a screwdriver.



Info

The tone frequency depends on the length of the spoke and the spoke diameter.

If you hear different tone frequencies from different spokes of equal length and diameter, this is an indication of different spoke tensions.

You should hear a high note.

- » If the spoke tension varies:
 - Correct the spoke tension. 🛠️
- Check the spoke torque.

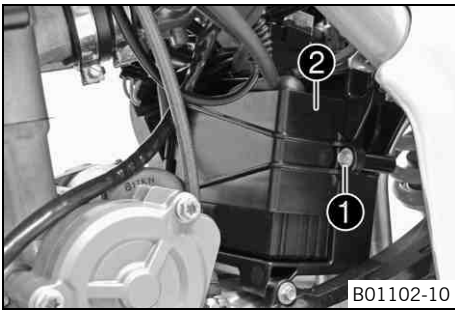
Guideline

Spoke nipple	M4.5	5... 6 Nm (3.7... 4.4 lbf ft)
--------------	------	-------------------------------

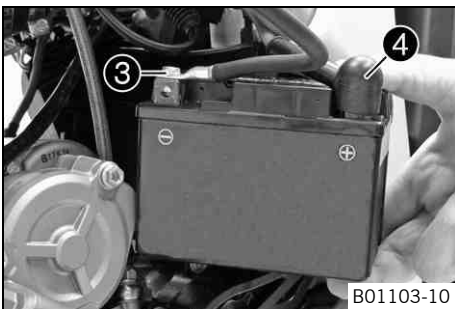
Torque wrench with various accessories in set (58429094000)

14.1 Removing the battery

- Warning**
Risk of injury Battery acid and battery gases cause serious chemical burns.
- Keep batteries out of the reach of children.
 - Wear suitable protective clothing and goggles.
 - Avoid contact with battery acid and battery gases.
 - Keep the battery away from sparks or open flames. Charge only in well-ventilated areas.
 - In the event of skin contact, rinse with large amounts of water. If battery acid gets in the eyes, rinse with water for at least 15 minutes and contact a physician.



- Switch off all power consumers and switch off the engine.
- Remove screw 1.
- Take off fastening plate 2.



- Take the battery out of the battery compartment.
- Disconnect negative cable 3 of the battery.
- Pull back the positive terminal cover 4 and disconnect the positive (plus) cable of the battery.

14.2 Installing the battery

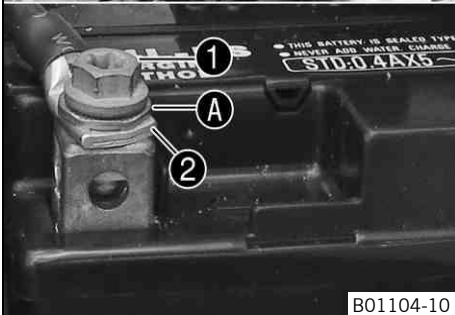


- Attach positive cable.
- Guideline
- | | | |
|-------------------------|----|-------------------------|
| Screw, battery terminal | M5 | 2.5 Nm
(1.84 lbf ft) |
|-------------------------|----|-------------------------|
- Slide positive terminal cover 3 over the positive terminal.

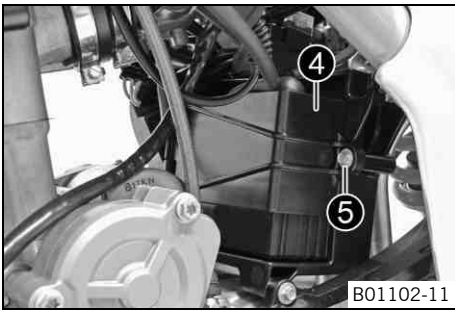
- Attach negative cable.
- Guideline

Screw, battery terminal	M5	2.5 Nm (1.84 lbf ft)
-------------------------	----	-------------------------

Battery (YTX4L-BS) (p. 105)



i Info
 Contact disk A must be mounted between screw 1 and cable socket 2 with the claws facing down.



- Position the battery in the battery compartment.
- Attach fixing flap ④.
- Mount and tighten screw ⑤.

14.3 Recharging the battery 🛠️

Warning
Risk of injury Battery acid and battery gases cause serious chemical burns.

- Keep batteries out of the reach of children.
- Wear suitable protective clothing and goggles.
- Avoid contact with battery acid and battery gases.
- Keep the battery away from sparks or open flames. Charge only in well-ventilated areas.
- In the event of skin contact, rinse with large amounts of water. If battery acid gets in the eyes, rinse with water for at least 15 minutes and contact a physician.

Warning
Environmental hazard The battery contains elements that are harmful to the environment.

- Do not discard batteries with the household trash. Dispose of a defective battery in an environmentally compatible manner. Give the battery to your KTM dealer or to a recycling center that accepts used batteries.

Warning
Environmental hazard Hazardous substances cause environmental damage.

- Oil, grease, filters, fuel, cleaners, brake fluid, etc., should be disposed of as stipulated in applicable regulations.

i Info
 Even when there is no load on the battery, it discharges steadily.
 The charge state and the type of charge are very important for the service life of the battery.
 Rapid recharging with a high charging current shortens the battery's service life.
 If the charging current, charging voltage, and charging time are exceeded, electrolyte escapes through the safety valves. This reduces the battery capacity.
 If the battery is depleted from starting the vehicle repeatedly, the battery must be charged immediately.
 If the battery is left in a discharged state for an extended period, it will become over-discharged and sulfate, destroying the battery.
 The battery is maintenance-free, i.e., the acid level does not have to be checked.

Preparatory work
 - Remove the battery. 🛠️ (📄 p. 78)

Main work
 - Connect the battery charger to the battery. Switch on the battery charger.

Battery charger (58429074000)

You can also use the battery charger to test the rest potential and starting ability of the battery, and to test the alternator. With this device, you cannot overcharge the battery.

i Info
 Never remove lid ①.
 Charge the battery with a maximum of 10% of the capacity specified on the battery housing ②.

- Switch off the charger after charging. Disconnect the battery.

Guideline

The charging current, charging voltage, and charging time must not be exceeded.	
Charge the battery regularly when the motorcycle is not in use	3 months



Finishing work

- Install the battery. 🛠️ (📄 p. 78)

14.4 Changing the main fuse

Warning
Fire hazard The electrical system can be overloaded if the wrong fuses are used.

- Use only fuses with the prescribed amperage. Never by-pass or repair fuses.

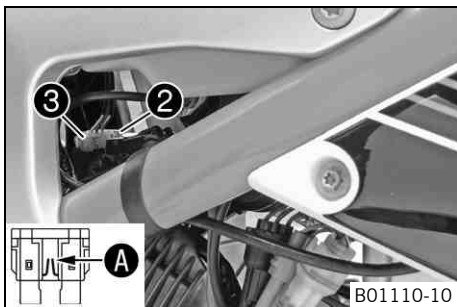
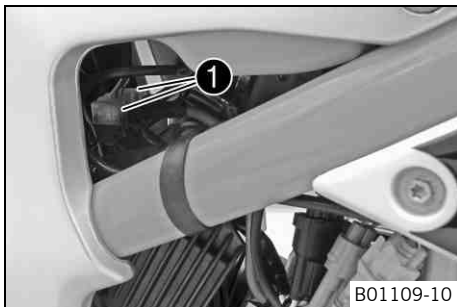
Info
 The main fuse protects all power consumers of the vehicle. It is located behind the battery.

Preparatory work

- Switch off all power consumers and switch off the engine.
- Raise the motorcycle with the lift stand. (📄 p. 40)
- Fold the seat up. (📄 p. 48)
- Remove the shock absorber. 🛠️ (📄 p. 47)

Main work

- Remove protection caps ❶.



- Remove the faulty main fuse ❷.

Info
 A defective fuse is indicated by a burned-out fuse wire ❹.
 A reserve fuse ❸ is located in the starter relay.

- Install a new main fuse.

Fuse (58011109120) (📄 p. 105)

- Check that the electrical equipment is functioning properly.

Tip
 Insert the spare fuse so that it is available if needed.

- Mount the protection caps.

Finishing work

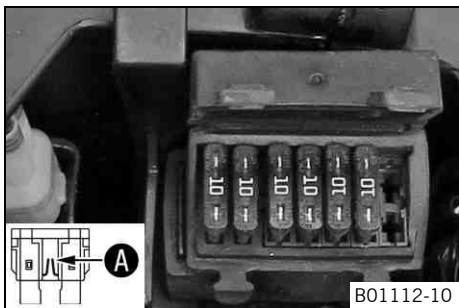
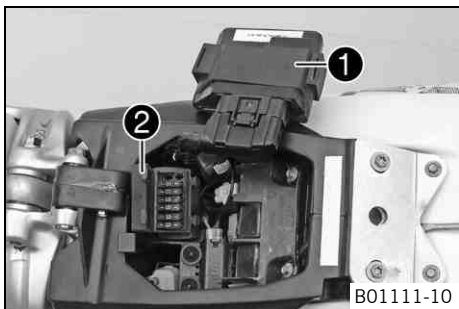
- Install the shock absorber. 🛠️ (📄 p. 47)
- Lock the seat. (📄 p. 48)
- Remove the motorcycle from the lift stand. (📄 p. 40)

14.5 Changing the fuses of individual power consumers

Info
 The fuse box containing the fuses of individual power consumers is located under the seat.

Preparatory work

- Switch off all power consumers and switch off the engine.
- Fold the seat up. (📄 p. 48)



Main work

- Pull the EFI control unit ❶ from the holder and hang it to one side.
- Open fuse box cover ❷.

- Remove the defective fuse.

Guideline

Fuse 1 - 10 A - EFI control unit
Fuse 2 - 10 A - fuel pump
Fuse 3 - 10 A - high beam, low beam, parking light, tail light, license plate lamp
Fuse 4 - 10 A - horn, brake light, turn signal, radiator fan, speedometer
Fuse 5 - not used
Fuses res - 10 A - spare fuses

Info
A defective fuse is indicated by a burned-out fuse wire ❸.

Warning
Fire hazard The electrical system can be overloaded if the wrong fuses are used.
- Use only fuses with the prescribed amperage. Never by-pass or repair fuses.

- Use spare fuses with the correct rating only.

Fuse (58011109110) (☛ p. 105)

Tip
Replace the spare fuse in the fuse box so that it is available if needed.

- Check that the power consumer is functioning properly.
- Close the fuse box cover.
- Position the EFI control unit.

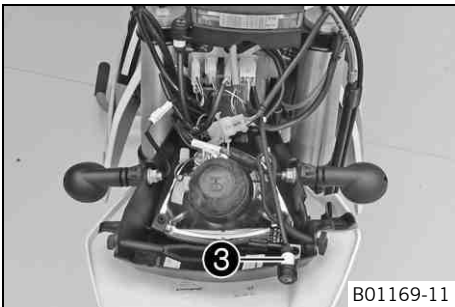
Finishing work

- Lock the seat. (☛ p. 48)

14.6 Removing the headlight mask with the headlight

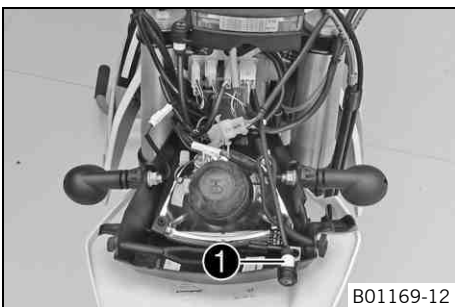


- Switch off all power consumers.
- Detach the brake line and wiring harness ❶.
- Release rubber band ❷. Slide the headlight mask up and swing it forward.



- Pull bulb socket ❸ out of the high beam indicator lamp.
- Disconnect the connectors of the turn signals and headlight.

14.7 Refitting the headlight mask with the headlight



Main work

- Insert bulb socket ❶ into the high beam indicator lamp.
- Plug in connector.



B01041-11

- Position the headlight mask and fix it with the rubber band ③.

i Info

Make sure that the holding lugs engage in the fender.

- Position the brake line and wiring harness ④.

Finishing work

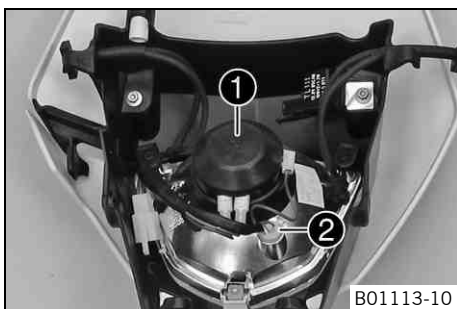
- Check the headlight setting. (☛ p. 84)

14.8 Changing the headlight bulb

Note

Damage to reflector Reduced luminance.

- Grease on the lamp will evaporate due to the heat and be deposited on the reflector. Clean the lamp and keep it free of grease before mounting.



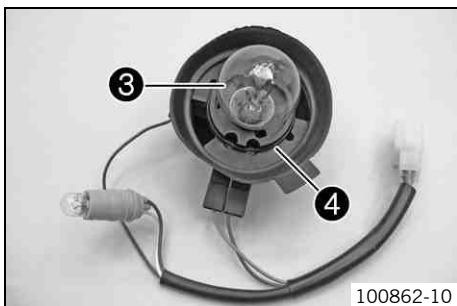
B01113-10

Preparatory work

- Remove the headlight mask with the headlight. (☛ p. 82)

Main work

- Turn rubber cap ① together with the underlying bulb socket counterclockwise all the way and remove it.
- Pull bulb socket ② of the parking light out of the reflector.



100862-10

- Press headlight bulb ③ lightly into the bulb socket, turn it counterclockwise, and pull it out.
- Insert the new headlight bulb.

Headlight (S2/socket BA20d) (☛ p. 105)

- Insert the rubber cap with the bulb socket into the reflector and turn it clockwise all the way.

i Info

Ensure that O-ring ④ is seated properly.

- Insert the bulb socket of the parking light into the reflector.

Finishing work

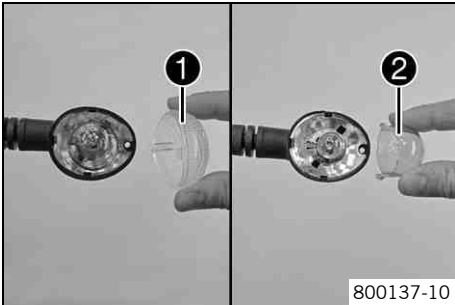
- Refit the headlight mask with the headlight. (☛ p. 82)
- Check the headlight setting. (☛ p. 84)

14.9 Changing the turn signal bulb

Note

Damage to reflector Reduced luminance.

- Grease on the lamp will evaporate due to the heat and be deposited on the reflector. Clean the lamp and keep it free of grease before mounting.



Main work

- Remove the screw on the rear of the turn signal housing.
- Carefully remove diffuser ❶.
- Lightly squeeze orange cap ❷ in the area of the holding lugs and take it off.
- Press the turn signal bulb carefully into the socket, turn it counterclockwise by about 30°, and take it out of the socket.

Info

Do not touch the reflector with your fingers, and keep it free from grease.

- Press the new turn signal bulb carefully into the socket and turn it clockwise until it stops.

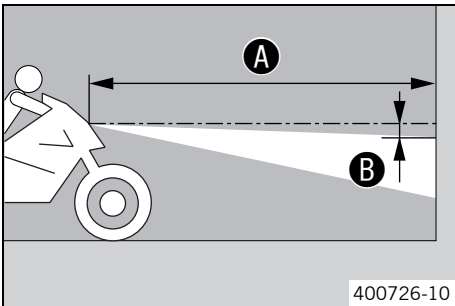
Turn signal (R10W/socket BA15s) (☞ p. 105)

- Mount the orange cap.
- Position the diffuser.
- Insert the screw and first turn it counterclockwise until it engages in the thread. Tighten the screw slightly.

Finishing work

- Check that the turn signal system is functioning properly.

14.10 Checking the headlight setting



- Position the vehicle upright on a horizontal surface in front of a light wall and make a mark at the height of the center of the low beam headlight.
- Make another mark at a distance ❷ under the first mark.

Guideline
Distance ❷ | 5 cm (2 in)

- Position the vehicle vertically a distance ❶ away from the wall.

Guideline
Distance ❶ | 5 m (16 ft)

- The rider now sits down on the motorcycle.
- Switch on the low beam.
- Check the headlight setting.

The boundary between light and dark must be exactly on the lower mark for a motorcycle with driver.

- » If the boundary between light and dark does not meet specifications:
 - Adjust the headlight range. (☞ p. 84)

14.11 Adjusting the headlight range



Preparatory work

- Check the headlight setting. (☞ p. 84)

Main work

- Adjust the beam distance of the headlight by turning screw ❶.

Guideline
For a motorcycle with rider, the light/dark boundary must be exactly on the lower mark (the mark is created in: Checking the headlight setting).

**Info**

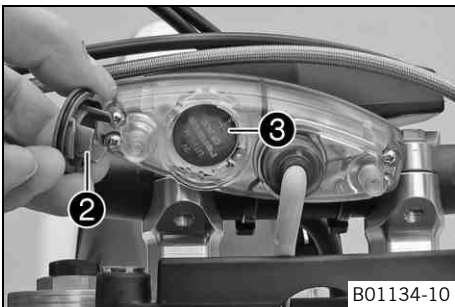
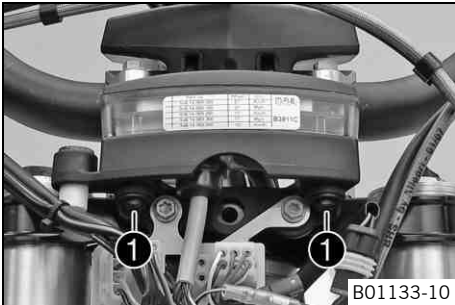
Turn clockwise to increase the headlight range, turn counterclockwise to reduce the headlight range.
A change in weight on the vehicle may require a correction of the headlight range.

14.12 Changing the speedometer battery**Preparatory work**

- Remove the headlight mask with the headlight. (☛ p. 82)

Main work

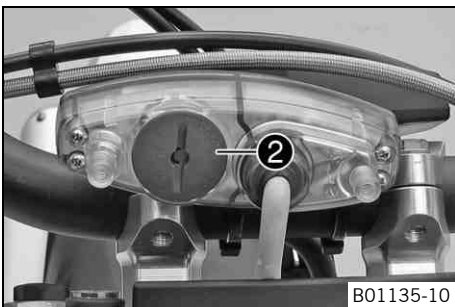
- Remove screws ❶.
- Pull the speedometer upward out of the holder.



- Using a coin, turn protection cap ❷ all the way counterclockwise and remove it.
- Remove speedometer battery ❸.
- Insert the new battery with the label facing upward.

Speedometer battery (CR 2430) (☛ p. 105)

- Check the O-ring of the protection cap for correct seating.

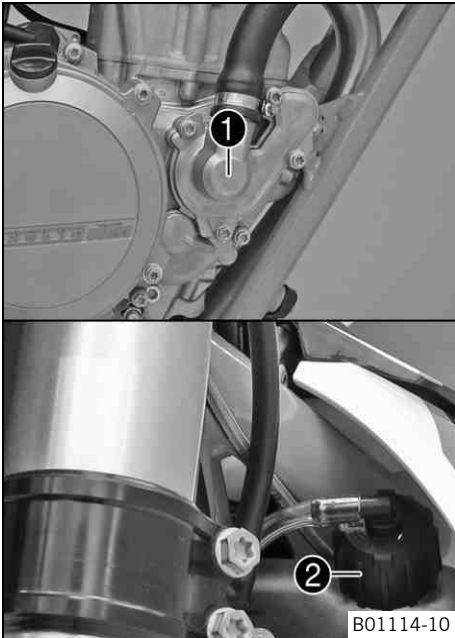


- Position protection cap ❷ and turn all the way clockwise using a coin.
- Press any button on the speedometer.
- ✓ The speedometer is activated.
- Position the speedometer in the holder.
- Mount and tighten the screws with washers.

Finishing work

- Refit the headlight mask with the headlight. (☛ p. 82)
- Check the headlight setting. (☛ p. 84)
- Set kilometers or miles. (☛ p. 16)
- Adjust the speedometer functions. (☛ p. 16)
- Set the clock. (☛ p. 17)

15.1 Cooling system



Water pump ❶ in the engine circulates the coolant. The pressure resulting from the warming of the cooling system is regulated by a valve in radiator cap ❷. This ensures that operating the vehicle at the specified coolant temperature will not result in a risk of malfunctions.

120 °C (248 °F)

Cooling is effected by the air stream. The lower the speed, the less the cooling effect. Dirty cooling fins also reduce the cooling effect. The radiator fan provides extra cooling. It is controlled by a thermostwitch.

15.2 Checking the antifreeze and coolant level



Warning

Danger of scalding During motorcycle operation, the coolant gets very hot and is under pressure.

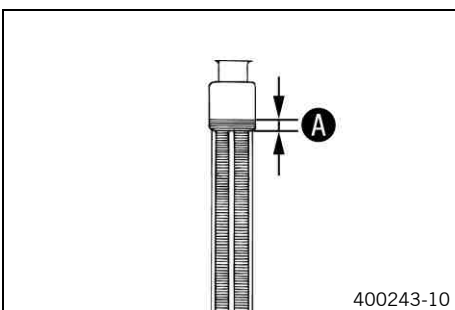
- Do not remove the radiator cap, radiator hoses or other cooling system components when the engine is hot. Allow the engine and cooling system to cool down. In case of scalding, rinse immediately with lukewarm water.



Warning

Danger of poisoning Coolant is poisonous and a health hazard.

- Avoid contact between coolant and skin, eyes and clothing. If it gets into your eyes, rinse immediately with water and contact a doctor. Wash affected skin areas immediately with soap and water. If coolant is swallowed, contact a doctor immediately. Change clothes that have come into contact with coolants. Keep coolant out of the reach of children.



Condition

The engine is cold.

- Stand the motorcycle upright on a horizontal surface.
- Remove the radiator cap.
- Check the coolant antifreeze.

-25... -45 °C (-13... -49 °F)

» If the antifreeze of the coolant does not meet specifications:

- Correct the coolant antifreeze.

- Check the coolant level in the radiator.

Coolant level ❶ above radiator fins.	10 mm (0.39 in)
--------------------------------------	-----------------

» If the coolant level does not meet specifications:

- Correct the coolant level.

Alternative 1

Coolant (☞ p. 108)

Alternative 2

Coolant (mixed ready to use) (☞ p. 108)

- Mount the radiator cap.

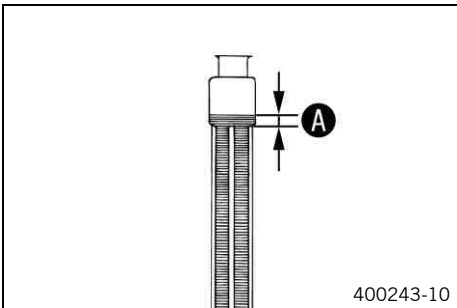
15.3 Checking the coolant level

Warning
Danger of scalding During motorcycle operation, the coolant gets very hot and is under pressure.

- Do not remove the radiator cap, radiator hoses or other cooling system components when the engine is hot. Allow the engine and cooling system to cool down. In case of scalding, rinse immediately with lukewarm water.

Warning
Danger of poisoning Coolant is poisonous and a health hazard.

- Avoid contact between coolant and skin, eyes and clothing. If it gets into your eyes, rinse immediately with water and contact a doctor. Wash affected skin areas immediately with soap and water. If coolant is swallowed, contact a doctor immediately. Change clothes that have come into contact with coolants. Keep coolant out of the reach of children.



Condition

The engine is cold.

- Stand the motorcycle upright on a horizontal surface.
- Remove the radiator cap.
- Check the coolant level in the radiator.

Coolant level A above radiator fins.	10 mm (0.39 in)
---	-----------------

» If the coolant level does not meet specifications:

- Correct the coolant level.

Alternative 1

Coolant (☛ p. 108)

Alternative 2

Coolant (mixed ready to use) (☛ p. 108)

- Mount the radiator cap.

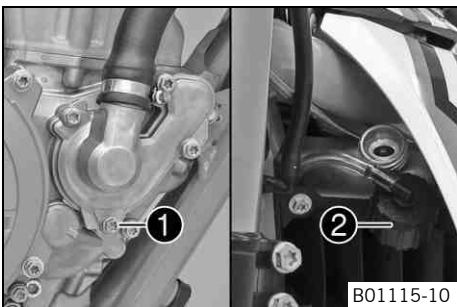
15.4 Draining the coolant ☛

Warning
Danger of scalding During motorcycle operation, the coolant gets very hot and is under pressure.

- Do not remove the radiator cap, radiator hoses or other cooling system components when the engine is hot. Allow the engine and cooling system to cool down. In case of scalding, rinse immediately with lukewarm water.

Warning
Danger of poisoning Coolant is poisonous and a health hazard.

- Avoid contact between coolant and skin, eyes and clothing. If it gets into your eyes, rinse immediately with water and contact a doctor. Wash affected skin areas immediately with soap and water. If coolant is swallowed, contact a doctor immediately. Change clothes that have come into contact with coolants. Keep coolant out of the reach of children.



Condition

The engine is cold.

- Stand the motorcycle upright.
- Place a suitable container under the water pump cover.
- Remove screw **1**. Take off radiator cap **2**.
- Completely drain the coolant.
- Mount screw **1** with a new seal ring and tighten it.

Guideline

Screw, water pump cover	M6	10 Nm (7.4 lbf ft)
-------------------------	----	--------------------

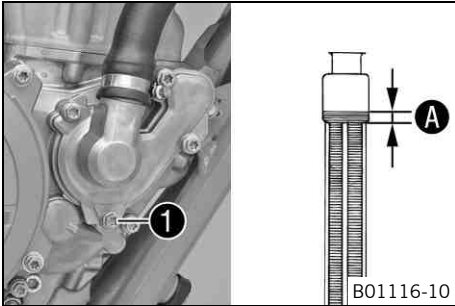
15.5 Refilling coolant



Warning

Danger of poisoning Coolant is poisonous and a health hazard.

- Avoid contact between coolant and skin, eyes and clothing. If it gets into your eyes, rinse immediately with water and contact a doctor. Wash affected skin areas immediately with soap and water. If coolant is swallowed, contact a doctor immediately. Change clothes that have come into contact with coolants. Keep coolant out of the reach of children.



Main work

- Make sure that screw ❶ is tightened.
- Stand the motorcycle upright.
- Pour coolant in up to measurement A above the radiator fins.

Guideline

10 mm (0.39 in)

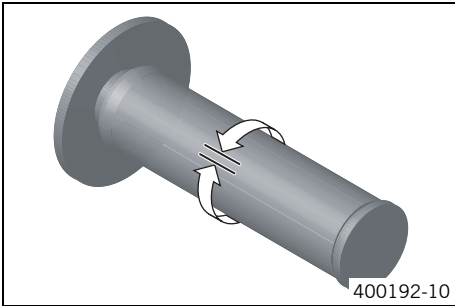
Coolant	0.7 l (0.7 qt.)	Coolant (☞ p. 108)
		Coolant (mixed ready to use) (☞ p. 108)

- Mount the radiator cap.

Finishing work

- Take a short test ride.
- Check the coolant level. (☞ p. 87)

16.1 Checking the play in the throttle cable



- Check the throttle grip for smooth operation.
- Move the handlebar to the straight-ahead position. Move the throttle grip backwards and forwards to ascertain the play in the throttle cable.

Throttle cable play	3... 5 mm (0.12... 0.2 in)
---------------------	----------------------------

- » If the throttle cable play does not meet specifications:
 - Adjust the play in the throttle cable. 🛠️ (👉 p. 89)



Danger

Danger of poisoning Exhaust gases are toxic and inhaling them may result in unconsciousness and/or death.

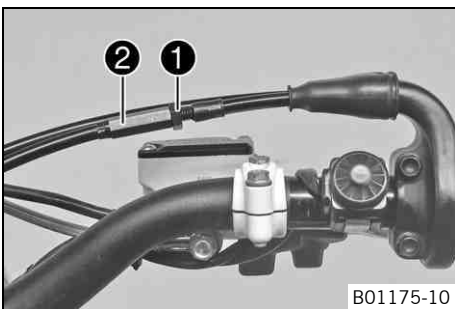
- When running the engine, always make sure there is sufficient ventilation, and do not start or run the engine in an enclosed space without an effective exhaust extraction system.

- Start the engine and let it run idle. Move the handlebar to and fro over the entire steering range.

The idle speed must not change.

- » If the idle speed changes:
 - Adjust the play in the throttle cable. 🛠️ (👉 p. 89)

16.2 Adjusting the play in the throttle cable 🛠️



Preparatory work

- Fold the seat up. (👉 p. 48)
- Remove the fuel tank. 🛠️ (👉 p. 53)
- Check the throttle cable routing. (👉 p. 61)

Main work

- Move the handlebar to the straight-ahead position.
- Loosen nut ❶. Turn adjusting screw ❷ so that there is play in the throttle cable at the throttle grip.

Guideline

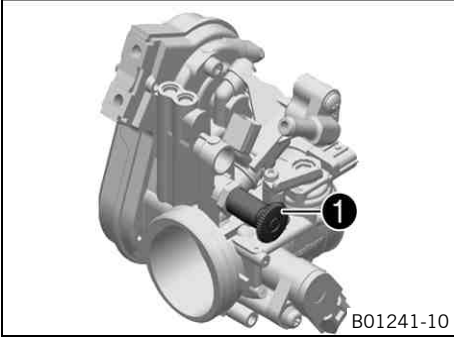
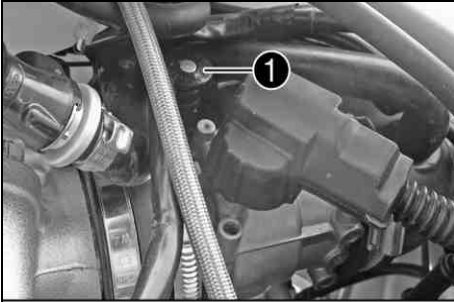
Throttle cable play	3... 5 mm (0.12... 0.2 in)
---------------------	----------------------------

- Tighten nut ❶.
- Check the throttle grip for smooth operation.

Finishing work

- Install the fuel tank. 🛠️ (👉 p. 55)
- Lock the seat. (👉 p. 48)

16.3 Adjusting the idle speed



- Run the engine warm and push the idle speed adjusting screw ❶ all the way in.
- Set the desired idle speed by turning the idle speed adjusting screw.

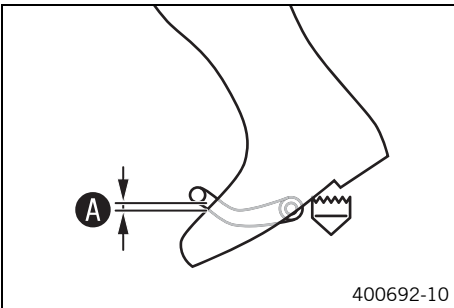
Guideline

Idle speed	1,800... 1,900 rpm
------------	--------------------

 **Info**



Turn counterclockwise to increase the idle speed.
Turn clockwise to decrease the idle speed.

16.4 Checking the basic position of the shift lever

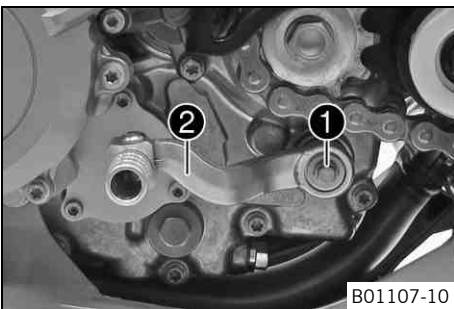


- Sit on the vehicle in the riding position and determine distance ❶ between the upper edge of your boot and the shift lever.

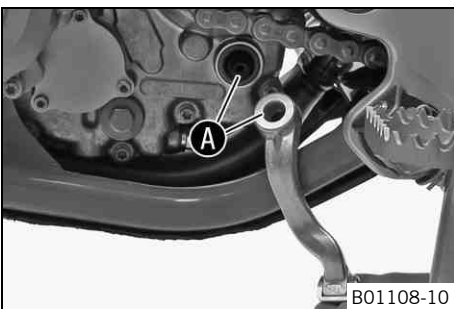
Distance between shift lever and upper edge of boot	10... 20 mm (0.39... 0.79 in)
---	-------------------------------

- » If the distance does not meet specifications:
 - Adjust the basic position of the shift lever.  ( p. 90)

16.5 Adjusting the basic position of the shift lever



- Remove screw ❶ and remove shift lever ❷.



- Clean gear teeth ❶ of the shift lever and shift shaft.
- Mount shift lever ❷ on the shift shaft in the required position and engage the gearing.


 **Info**

The range of adjustment is limited.
The shift lever must not come into contact with any other vehicle components during the shift procedure.

- Mount and tighten screw ❶.

Guideline

Screw, shift lever	M6	14 Nm (10.3 lbf ft)	Loctite® 243™
--------------------	----	------------------------	---------------

17.1 Changing the fuel screen **Danger****Fire hazard** Fuel is highly flammable.

- Never refuel the vehicle near open flames or burning cigarettes, and always switch off the engine first. Be careful that no fuel is spilt, especially on hot vehicle components. Clean up spilt fuel immediately.
- Fuel in the fuel tank expands when warm and can escape if the tank is overfilled. See the notes on refueling.

**Warning****Danger of poisoning** Fuel is poisonous and a health hazard.

- Avoid contact of the fuel with skin, eyes and clothing. Do not inhale fuel vapors. If fuel gets into your eyes, rinse immediately with water and contact a doctor. Wash affected skin areas immediately with soap and water. If fuel is swallowed, contact a doctor immediately. Change clothing that has come into contact with fuel.

**Warning****Environmental hazard** Improper handling of fuel is a danger to the environment.

- Do not allow fuel to get into the ground water, the ground, or the sewage system.

**Main work**

- Thoroughly clean the plug-in connection of the fuel line using compressed air.

**Info**

Under no circumstances should dirt enter into the fuel line. Dirt in the fuel line clogs the injection valve.

- Disconnect the plug-in connection of the fuel line.
- Pull fuel screen 1 out of the connecting piece.
- Slide a new fuel screen into the connecting piece.
- Lubricate the O-ring and connect plug-in connection of the fuel line.

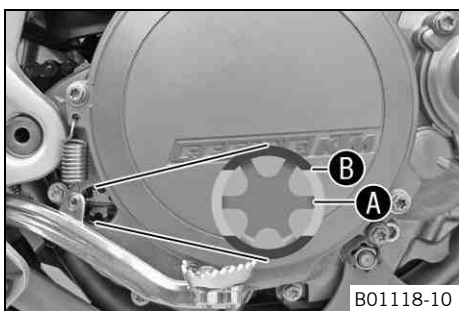
Finishing work**Danger****Danger of poisoning** Exhaust gases are toxic and inhaling them may result in unconsciousness and/or death.

- When running the engine, always make sure there is sufficient ventilation, and do not start or run the engine in an enclosed space without an effective exhaust extraction system.
- Start the engine and check the response.

17.2 Checking the engine oil level

**Info**

The engine oil level can be checked when the engine is cold or warm.

**Preparatory work**

- Stand the motorcycle upright on a horizontal surface.

Condition

The engine is cold.

- Check the engine oil level.

The engine oil level is up to the middle A of the level viewer.

- » If the engine oil is not up to the middle of the level viewer:
 - Add engine oil. (p. 94)

Condition

The engine is at operating temperature.

- Check the engine oil level.

**Info**

After switching off the engine, wait one minute before checking the level.

The engine oil is at a level between the middle **A** and upper edge **B** of the level viewer.

- » If the engine oil is not up to the middle **A** of the level viewer:
 - Add engine oil. (☛ p. 94)

17.3 Changing the engine oil and oil filter, cleaning the oil screen ☛

Warning

Danger of scalding Engine oil and gear oil get very hot when the motorcycle is ridden.

- Wear appropriate protective clothing and safety gloves. In case of burns, rinse immediately with lukewarm water.

Warning

Environmental hazard Hazardous substances cause environmental damage.

- Oil, grease, filters, fuel, cleaners, brake fluid, etc., should be disposed of as stipulated in applicable regulations.

i Info

Drain the engine oil only when the engine is warm.

Preparatory work

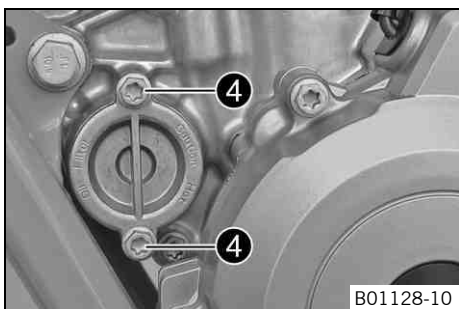
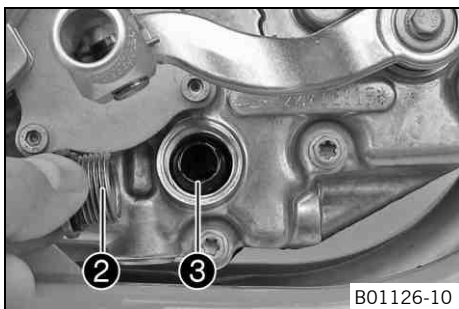
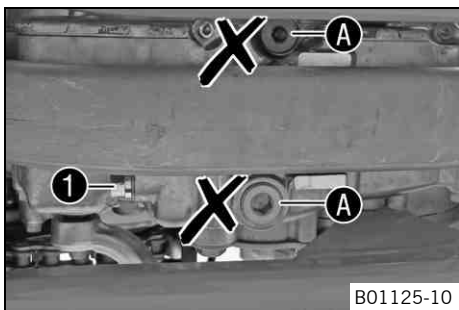
- Park the motorcycle on a level surface.
- Remove the engine guard. (☛ p. 63)

Main work

- Place a suitable container under the engine.
- Remove the oil drain plug **1** with the magnet and seal ring.

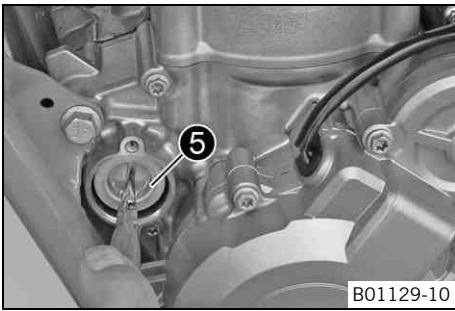
i Info

Do not remove screws **A** on both sides.



- Remove plug **2** with oil screen **3** and the O-rings.

- Remove screws **4**. Remove the oil filter cover with the O-ring.

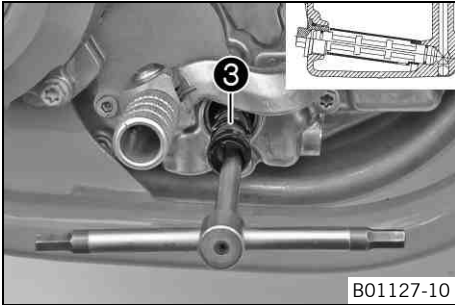


B01129-10

- Pull oil filter 5 out of the oil filter housing.

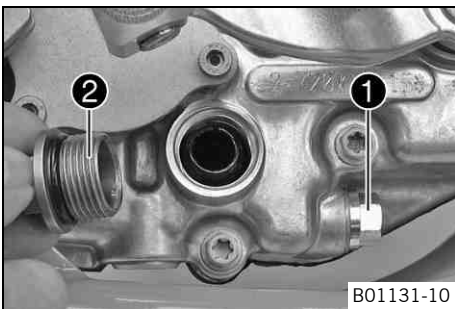
Circlip pliers reverse (51012011000)

- Completely drain the engine oil.
- Thoroughly clean the parts and sealing area.



B01127-10

- Push oil screen 3 with the O-rings onto a pin wrench.
- Push the pin wrench through the opening into the drill hole of the opposite engine case wall and push the oil screen as far as possible into the engine case.



B01131-10

- Mount and tighten screw plug 2 with the O-ring.

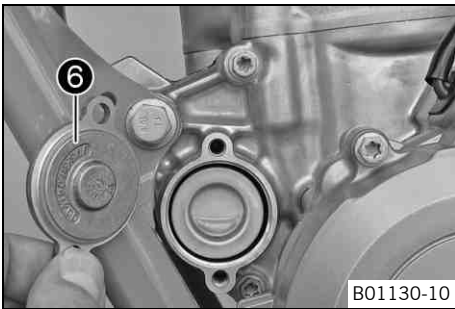
Guideline

Screw plug, oil screen	M20x1.5	15 Nm (11.1 lbf ft)
------------------------	---------	------------------------

- Mount and tighten the oil drain plug 1 with the magnet and a new seal ring.

Guideline

Oil drain plug with magnet	M12x1.5	20 Nm (14.8 lbf ft)
----------------------------	---------	------------------------



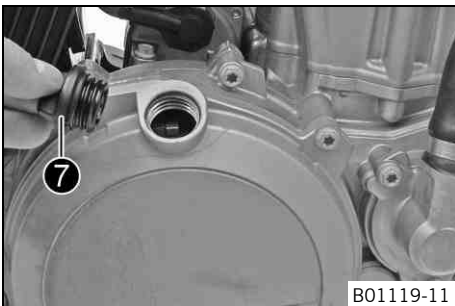
B01130-10

- Lay the motorcycle on its side and fill the oil filter housing to about 1/3 full with engine oil.
- Insert the oil filter into the oil filter housing.
- Oil the O-ring of the oil filter cover and mount it with oil filter cover 6.
- Mount and tighten the screws.

Guideline

Screw, oil filter cover	M6	10 Nm (7.4 lbf ft)
-------------------------	----	--------------------

- Stand the motorcycle upright.



B01119-11

- Remove the oil filler plug 7 with the O-ring from the clutch cover and fill up with engine oil.

Engine oil	1.20 l (1.27 qt.)	Engine oil (SAE 10W/50) (☛ p. 108)
		Alternative engine oil Engine oil (SAE 10W/60) (00062010035) (☛ p. 108)

- Install and tighten the oil filler plug with the O-ring.



Danger

Danger of poisoning Exhaust gases are toxic and inhaling them may result in unconsciousness and/or death.

- When running the engine, always make sure there is sufficient ventilation, and do not start or run the engine in an enclosed space without an effective exhaust extraction system.

- Start the engine and check that it is oil-tight.

Finishing work

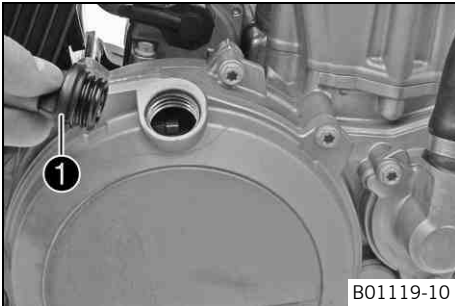
- Install the engine guard. (☛ p. 64)
- Check the engine oil level. (☛ p. 91)

17.4 Adding engine oil



Info

Too little engine oil or poor-quality engine oil results in premature wear to the engine.



- Remove the oil filler plug ❶ with the O-ring from the clutch cover and fill up with engine oil.

Engine oil (SAE 10W/50) (☛ p. 108)

Engine oil (SAE 10W/60) (00062010035) (☛ p. 108)
--



Info

For optimal performance of the engine oil, do not mix different types of engine oil.
If appropriate, change the engine oil.

- Install and tighten the oil filler plug with the O-ring.



Danger

Danger of poisoning Exhaust gases are toxic and inhaling them may result in unconsciousness and/or death.

- When running the engine, always make sure there is sufficient ventilation, and do not start or run the engine in an enclosed space without an effective exhaust extraction system.

- Start the engine and check that it is oil-tight.

18.1 Cleaning the motorcycle

Note

Material damage Damage and destruction of components by high-pressure cleaning equipment.

- When cleaning the vehicle with a pressure cleaner, do not point the water jet directly onto electrical components, connectors, cables, bearings, etc. Maintain a minimum distance of 60 cm between the nozzle of the pressure cleaner and the component. Excessive pressure can cause malfunctions or destroy these parts.

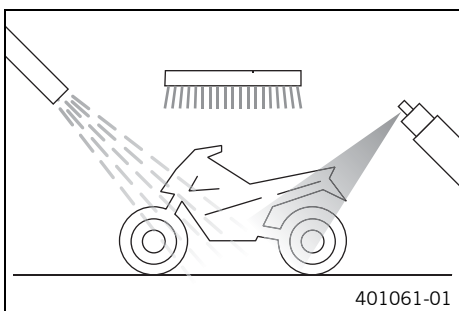
 **Warning**

Environmental hazard Hazardous substances cause environmental damage.

- Oil, grease, filters, fuel, cleaners, brake fluid, etc., should be disposed of as stipulated in applicable regulations.

 **Info**

If you clean the motorcycle regularly, its value and appearance will be maintained over a long period. Avoid direct sunshine on the motorcycle during cleaning.



- Close off the exhaust system to keep water from entering.
- First remove coarse dirt particles with a gentle spray of water.
- Spray very dirty areas with a normal motorcycle cleaner and then clean with a paintbrush.

Motorcycle cleaner (☛ p. 110)

 **Info**

Use warm water containing normal motorcycle cleaner and a soft sponge. Never apply motorcycle cleaner to the dry vehicle; always rinse with water first.

- After rinsing the motorcycle with a gentle spray of water, allow it to dry thoroughly.
- Remove the plug from the exhaust system.



Warning

Danger of accidents Reduced braking efficiency due to a wet or dirty brake system.

- Clean or dry a dirty or wet brake system by riding and braking gently.

- After cleaning, ride a short distance until the engine reaches operating temperature.

 **Info**

The heat produced causes water at inaccessible locations in the engine and the brake system to evaporate.

- After the motorcycle has cooled off, lubricate all moving parts and bearings.
- Clean the chain. (☛ p. 56)
- Treat bare metal parts (except for the brake discs and exhaust system) with anti-corrosion materials.

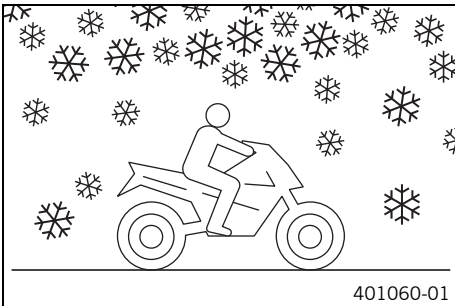
Cleaning and preserving materials for metal, rubber and plastic (☛ p. 110)

- Treat all plastic parts and powder-coated parts with a mild cleaning and care product.

Paint cleaner and polish for high-gloss and matte finishes, bare metal and plastic surfaces (☛ p. 111)

18.2 Checks and maintenance steps for winter operation

- i Info**
If the motorcycle is used in the winter, salt can be expected on the roads. Precautions need to be taken against road salt corrosion.
If the vehicle was operated in road salt, clean it with cold water after riding. Warm water would enhance the corrosive effects of salt.



- Clean the motorcycle. (☛ p. 95)
- Clean the brakes.

- i Info**
After **EVERY** trip on salted roads, thoroughly wash the brake calipers and brake linings with cold water and dry carefully. This should be done after the parts are cooled down and while they are installed.
After riding on salted roads, thoroughly wash the motorcycle with cold water and dry it well.

- Treat the engine, swingarm, and all other bright and zinc-plated parts (except for the brake discs) with a wax-based corrosion inhibitor.

- i Info**
Corrosion inhibitor is not permitted to come in contact with the brake discs as this would greatly reduce the braking force.

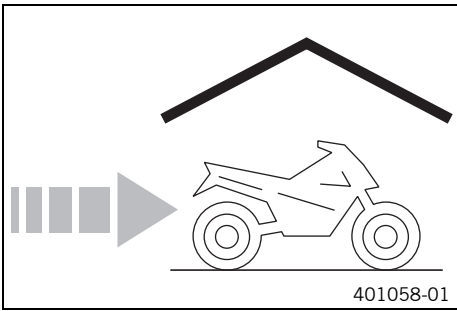
- Clean the chain. (☛ p. 56)

19.1 Storage

Warning
Danger of poisoning Fuel is poisonous and a health hazard.

- Avoid contact between fuel and skin, eyes and clothing. Do not inhale fuel vapors. If fuel gets into your eyes, rinse immediately with water and contact a doctor. Wash affected skin areas immediately with soap and water. If fuel is swallowed, contact a doctor immediately. Change clothing that has come into contact with fuel. Store fuel in a suitable canister according to regulations and keep it out of the reach of children.

Info
 If you want to garage the motorcycle for a longer period, take the following steps. Before storing the motorcycle, check all parts for function and wear. If service, repairs or replacements are necessary, you should do this during the storage period (less workshop overload). In this way, you can avoid long workshop waiting times at the start of the new season.



- When refueling for the last time before taking the motorcycle out of service, add fuel additive.

Fuel additive (☞ p. 110)

- Clean the motorcycle. (☞ p. 95)
- Change the engine oil and oil filter, clean the oil screen. 🛠️ (☞ p. 92)
- Check the antifreeze and coolant level. (☞ p. 86)
- Drain the fuel from the tank into a suitable container.
- Check the tire air pressure. (☞ p. 77)
- Remove the battery. 🛠️ (☞ p. 78)
- Recharge the battery. 🛠️ (☞ p. 79)

Guideline

Storage temperature of battery without direct sunlight	0... 35 °C (32... 95 °F)
--	--------------------------

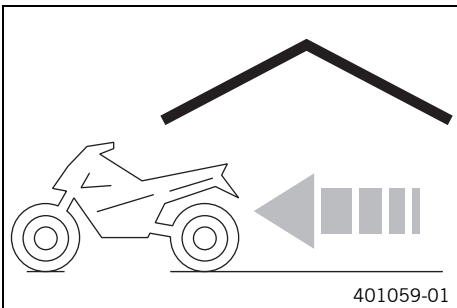
- Store the vehicle in a dry location that is not subject to large fluctuations in temperature.

Info
 KTM recommends raising the motorcycle.

- Raise the motorcycle with the lift stand. (☞ p. 40)
- Cover the motorcycle with a porous sheet or blanket. Do not use non-porous materials since they prevent humidity from escaping, thus causing corrosion.








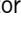




Info
 Avoid running the engine for a short time only. Since the engine cannot warm up properly, the water vapor produced during combustion condenses and causes valves and exhaust system to rust.











19.2 Preparing for use after storage




- Remove the motorcycle from the lift stand. (☞ p. 40)
- Install the battery. 🛠️ (☞ p. 78)
- Refuel. (☞ p. 30)
- Perform checks and maintenance work when preparing the vehicle for use. (☞ p. 27)
- Take a test ride.

Faults	Possible cause	Action
The engine cannot be cranked (electric starter)	Operating error	– Carry out the start procedure. (☞ p. 27)
	Battery is discharged	– Recharge the battery. 🛠️ (☞ p. 79) – Check the charging voltage. 🛠️ – Check the quiescent current. 🛠️ – Check the stator winding of the alternator. 🛠️
	Main fuse blown	– Change the main fuse. (☞ p. 80)
	Starter relay defective	– Check the starter relay. 🛠️
	Starter motor defective	– Check the starter motor. 🛠️
Engine turns but does not start	Operating error	– Carry out the start procedure. (☞ p. 27)
	Coupling of fuel hose connection not joined together	– Join the fuel hose connection.
	Fuse 1 blown	– Change the fuses of individual power consumers. (☞ p. 80)
	Fuse 2 blown	– Change the fuses of individual power consumers. (☞ p. 80)
	Idle speed is not set correctly	– Adjust the idle speed. 🛠️ (☞ p. 90)
	Spark plug oily or wet	– Clean and dry the spark plug, or change it if necessary.
	Electrode distance (plug gap) of spark plug too wide	– Adjust the plug gap. Guideline Spark plug electrode gap 1.0 mm (0.039 in)
	Short circuit cable in wiring harness frayed, kill switch defective	– Check the wiring harness. (visual check) – Check the electrical system.
Defect in fuel injection system	– Read out the fault memory using the KTM diagnostics tool. 🛠️	
Engine does not speed up	Defect in fuel injection system	– Read out the fault memory using the KTM diagnostics tool. 🛠️
Engine has too little power	Air filter is very dirty	– Clean the air filter and air filter housing. 🛠️ (☞ p. 51)
	Fuel filter is very dirty	– Change the fuel filter. 🛠️
	Fuel screen is very dirty	– Change the fuel screen. 🛠️ (☞ p. 91)
	Defect in fuel injection system	– Read out the fault memory using the KTM diagnostics tool. 🛠️
	Exhaust system leaky, deformed or too little glass fiber yarn filling in main silencer	– Check exhaust system for damage. – Change the glass fiber yarn filling of the main silencer. 🛠️ (☞ p. 53)
	Valve clearance too little	– Adjust the valve clearance. 🛠️
Engine dies during the trip	Lack of fuel	– Refuel. (☞ p. 30)
	Fuse 1 blown	– Change the fuses of individual power consumers. (☞ p. 80)
	Fuse 2 blown	– Change the fuses of individual power consumers. (☞ p. 80)
Engine overheats	Too little coolant in cooling system	– Check the cooling system for leaks. – Check the coolant level. (☞ p. 87)
	Too little air stream	– Switch off the engine when standing.
	Radiator fins very dirty	– Clean the radiator fins.
	Foam formation in cooling system	– Drain the coolant. 🛠️ (☞ p. 87) – Refill the coolant. 🛠️ (☞ p. 88)
	Bent radiator hose	– Change the radiator hose. 🛠️
	Defect in radiator fan system	– Check fuse 4. – Check the radiator fan. 🛠️

Faults	Possible cause	Action
FI warning lamp (MIL) lights up/flashes	Defect in fuel injection system	<ul style="list-style-type: none"> – Stop the motorcycle and identify the faulty part using the blink code. <hr/> <p> Info See blink code</p> <hr/> <ul style="list-style-type: none"> – Check the cabling for damage and the connectors for corrosion and damage. – Read out the fault memory using the KTM diagnostics tool. 
High oil consumption	Engine vent hose bent	<ul style="list-style-type: none"> – Route the vent hose without bends or change it if necessary.
	Engine oil level too high	<ul style="list-style-type: none"> – Check the engine oil level. ( p. 91)
	Engine oil too thin (low viscosity)	<ul style="list-style-type: none"> – Change the engine oil and oil filter, clean the oil screen.  ( p. 92)
	Piston and cylinder worn	<ul style="list-style-type: none"> – Measure the piston/cylinder mounting clearance. 
Battery is discharged	Battery is not being charged by alternator	<ul style="list-style-type: none"> – Check the charging voltage.  – Check the stator winding of the alternator. 
	Unwanted power consumer	<ul style="list-style-type: none"> – Check the quiescent current. 
Speedometer values deleted (time, stop watch, lap times)	The battery in the speedometer is discharged	<ul style="list-style-type: none"> – Change the speedometer battery. ( p. 85)
The high beam, low beam, parking light, tail light, and license plate lamp are not working	Fuse 3 blown	<ul style="list-style-type: none"> – Change the fuses of individual power consumers. ( p. 80)
The speedometer, horn, brake light, turn signal, and radiator fan are not functional	Fuse 4 blown	<ul style="list-style-type: none"> – Change the fuses of individual power consumers. ( p. 80)

Blink code of FI warning lamp (MIL)	 45 FI warning lamp (MIL) flashes 4x long, 5x short
Error level condition	Freeride 350 EU Lambda sensor heater cylinder 1, sensor 1 - short circuit to ground or open circuit
	Freeride 350 EU Lambda sensor heater cylinder 1, sensor 1 - input signal too high
Blink code of FI warning lamp (MIL)	 09 FI warning lamp (MIL) flashes 9x short
Error level condition	Manifold absolute pressure sensor cylinder 1 - input signal too low
	Manifold absolute pressure sensor cylinder 1 - input signal too high
Blink code of FI warning lamp (MIL)	 13 FI warning lamp (MIL) flashes 1x long, 3x short
Error level condition	Intake air temperature sensor - input signal too low
	Intake air temperature sensor - input signal too high
Blink code of FI warning lamp (MIL)	 12 FI warning lamp (MIL) flashes 1x long, 2x short
Error level condition	Engine coolant temperature sensor - input signal too low
	Engine coolant temperature sensor - input signal too high
Blink code of FI warning lamp (MIL)	 06 FI warning lamp (MIL) flashes 6x short
Error level condition	Throttle position sensor circuit A - input signal too low
	Throttle position sensor circuit A - input signal too high
Blink code of FI warning lamp (MIL)	 17 FI warning lamp (MIL) flashes 1x long, 7x short
Error level condition	Freeride 350 EU Lambda sensor cylinder 1, sensor 1 - circuit fault
Blink code of FI warning lamp (MIL)	 33 FI warning lamp (MIL) flashes 3x long, 3x short
Error level condition	Injector cylinder 1 - circuit fault
Blink code of FI warning lamp (MIL)	 02 FI warning lamp (MIL) flashes 2x short
Error level condition	Crankshaft position sensor - circuit fault
Blink code of FI warning lamp (MIL)	 37 FI warning lamp (MIL) flashes 3x long, 7x short
Error level condition	Ignition coil 1, cylinder 1 - circuit fault
Blink code of FI warning lamp (MIL)	 41 FI warning lamp (MIL) flashes 4x long, 1x short
Error level condition	Fuel pump relay - short circuit to ground or open circuit
	Fuel pump control - input signal too low

Blink code of FI warning lamp (MIL)	 15 FI warning lamp (MIL) flashes 1x long, 5x short
Error level condition	Rollover sensor (A/D type) - input signal too low
	Rollover sensor (A/D type) - input signal too high

22.1 Engine

Design	1-cylinder 4-stroke engine, water-cooled
Displacement	349.7 cm ³ (21.34 cu in)
Stroke	57.5 mm (2.264 in)
Bore	88 mm (3.46 in)
Compression ratio	12.3:1
Idle speed	1,800... 1,900 rpm
Control	DOHC, four valves controlled via cam lever, drive via timing chain
Valve diameter, intake	36.3 mm (1.429 in)
Valve diameter, exhaust	29.1 mm (1.146 in)
Valve clearance	
Intake at: 20 °C (68 °F)	0.10... 0.15 mm (0.0039... 0.0059 in)
Exhaust at: 20 °C (68 °F)	0.13... 0.18 mm (0.0051... 0.0071 in)
Crankshaft bearing	2 cylinder bearings
Conrod bearing	Needle bearing
Piston pin bearing	Not a bearing bush - DLC-plated piston pins
Pistons	Forged light alloy
Piston rings	1 compression ring, 1 oil scraper ring
Engine lubrication	Pressure circulation lubrication with two Eaton pumps
Primary transmission	24:73
Clutch	Multidisc clutch in oil bath/hydraulically activated
Transmission ratio	
1st gear	14:32
2nd gear	16:26
3rd gear	20:25
4th gear	22:23
5th gear	25:22
6th gear	26:20
Alternator	12 V, 168 W
Ignition	Contactless controlled fully electronic ignition with digital ignition adjustment
Spark plug	NGK LMAR9AI-10
Spark plug electrode gap	1.0 mm (0.039 in)
Cooling	Water cooling, permanent circulation of coolant by water pump
Starting aid	Electric starter

22.2 Engine tightening torques

Jet, crank chamber ventilation	M4	2 Nm (1.5 lbf ft)	Loctite [®] 243™
Oil jet for alternator cooling	M4	2 Nm (1.5 lbf ft)	Loctite [®] 243™
Oil jet for balancer shaft lubrication	M4	2 Nm (1.5 lbf ft)	Loctite [®] 243™
Oil nozzle for conrod bearing lubrication	M4	2 Nm (1.5 lbf ft)	Loctite [®] 243™
Screw, oil jet for piston cooling	M4	2 Nm (1.5 lbf ft)	Loctite [®] 243™
Locking screw for bearing	M5	6 Nm (4.4 lbf ft)	Loctite [®] 243™
Oil jet for cam lever lubrication	M5	3 Nm (2.2 lbf ft)	Loctite [®] 243™
Oil jet for clutch lubrication	M5	6 Nm (4.4 lbf ft)	Loctite [®] 243™
Oil jet, piston cooling	M5	2 Nm (1.5 lbf ft)	Loctite [®] 243™
Screw cap, oil channel in alternator cover	M5	3 Nm (2.2 lbf ft)	Loctite [®] 243™
Screw, clutch spring	M5	6 Nm (4.4 lbf ft)	–
Screw, crankshaft position sensor	M5	6 Nm (4.4 lbf ft)	Loctite [®] 243™

Screw, locking lever	M5	6 Nm (4.4 lbf ft)	Loctite® 243™
Screw, oil pump cover	M5	6 Nm (4.4 lbf ft)	Loctite® 243™
Screw, stator	M5	6 Nm (4.4 lbf ft)	Loctite® 243™
Nut, cylinder head	M6	10 Nm (7.4 lbf ft)	Lubricated with engine oil
Nut, water-pump wheel	M6	6 Nm (4.4 lbf ft)	Loctite® 243™
Screw, alternator cover	M6	6 Nm (4.4 lbf ft)	–
Screw, clutch cover	M6	10 Nm (7.4 lbf ft)	–
Screw, clutch slave cylinder	M6	10 Nm (7.4 lbf ft)	–
Screw, engine case	M6	10 Nm (7.4 lbf ft)	–
Screw, exhaust flange	M6	10 Nm (7.4 lbf ft)	Loctite® 243™
Screw, oil filter cover	M6	10 Nm (7.4 lbf ft)	–
Screw, shift drum locating	M6	10 Nm (7.4 lbf ft)	Loctite® 243™
Screw, shift lever	M6	14 Nm (10.3 lbf ft)	Loctite® 243™
Screw, starter motor	M6	10 Nm (7.4 lbf ft)	–
Screw, timing chain guide rail	M6	10 Nm (7.4 lbf ft)	Loctite® 243™
Screw, timing chain securing guide	M6	10 Nm (7.4 lbf ft)	Loctite® 243™
Screw, valve cover	M6	8 Nm (5.9 lbf ft)	–
Screw, water pump cover	M6	10 Nm (7.4 lbf ft)	–
Stud, cylinder head	M6	10 Nm (7.4 lbf ft)	–
Screw, camshaft bearing bridge	M7x1	14 Nm (10.3 lbf ft)	Lubricated with engine oil
Screw plug, crankshaft location	M8	10 Nm (7.4 lbf ft)	–
Screw, timing chain tensioning rail	M8	15 Nm (11.1 lbf ft)	Loctite® 243™
Screw, engine sprocket	M10	60 Nm (44.3 lbf ft)	Loctite® 2701
Plug, oil channel	M10x1	15 Nm (11.1 lbf ft)	Loctite® 243™
Rotor screw	M10x1	70 Nm (51.6 lbf ft)	Thread, oiled with engine oil/cone degreased
Screw plug, cam lever axis	M10x1	10 Nm (7.4 lbf ft)	–
Screw, unlocking of timing chain tensioner	M10x1	10 Nm (7.4 lbf ft)	–
Spark plug	M10x1	10... 12 Nm (7.4... 8.9 lbf ft)	–
Nut, cylinder head	M10x1.25	Tightening sequence: Tighten diagonally. 1st tightening stage 10 Nm (7.4 lbf ft) 2nd tightening stage 30 Nm (22.1 lbf ft) 3rd tightening stage 50 Nm (36.9 lbf ft)	Thread, oiled with engine oil/cone greased
Stud, cylinder head	M10x1.25	20 Nm (14.8 lbf ft)	Loctite® 243™
Screw, camshaft drive sprocket	M12x1	70 Nm (51.6 lbf ft)	Loctite® 243™/cone degreased
Engine coolant temperature sensor	M12x1.5	12 Nm (8.9 lbf ft)	–
Oil drain plug with magnet	M12x1.5	20 Nm (14.8 lbf ft)	–
Plug, oil pressure regulator valve	M12x1.5	20 Nm (14.8 lbf ft)	–
Oil drain plug	M14x1.5	15 Nm (11.1 lbf ft)	–
Nut, inner clutch hub	M18x1.5	100 Nm (73.8 lbf ft)	Loctite® 243™
Nut, primary gear	M18LHx1.5	100 Nm (73.8 lbf ft)	Loctite® 243™
Screw plug, oil screen	M20x1.5	15 Nm (11.1 lbf ft)	–
Plug, timing chain tensioner	M24x1.5	25 Nm (18.4 lbf ft)	–
Screw, alternator cover	M24x1.5	18 Nm (13.3 lbf ft)	–

22.3 Capacities

22.3.1 Engine oil

Engine oil	1.20 l (1.27 qt.)	Engine oil (SAE 10W/50) (☛ p. 108)	
		Alternative engine oil	Engine oil (SAE 10W/60) (00062010035) (☛ p. 108)

22.3.2 Coolant

Coolant	0.7 l (0.7 qt.)	Coolant (☛ p. 108)
		Coolant (mixed ready to use) (☛ p. 108)

22.3.3 Fuel

Total fuel tank capacity, approx.	4.8 l (1.27 US gal)	Super unleaded (ROZ 95/RON 95/PON 91) (☛ p. 109)
Fuel reserve, approx.	1.5 l (1.6 qt.)	

22.4 Chassis

Frame	Perimeter, steel-aluminum composite frame	
fork	WP Suspension 4357 MXMA	
Suspension travel		
Front	250 mm (9.84 in)	
Rear	260 mm (10.24 in)	
Fork offset	20 mm (0.79 in)	
Shock absorber	WP Suspension 4618 BAVP DCC	
Brake system		
Front	Disc brake with radially mounted four-piston brake caliper	
Rear	Disc brake with radially mounted dual-piston brake caliper	
Brake discs - diameter		
Front	260 mm (10.24 in)	
Rear	210 mm (8.27 in)	
Brake discs - wear limit		
Front	2.5 mm (0.098 in)	
Rear	3.5 mm (0.138 in)	
Tire air pressure off road		
Front	0.9 bar (13 psi)	
Rear	0.7 bar (10 psi)	
Tire air pressure, road		
Front	1.5 bar (22 psi)	
Rear	1.5 bar (22 psi)	
Secondary ratio	11:48	
Chain	5/8 x 1/4" X-ring	
Rear sprockets available	46, 48, 50	
Steering head angle	67°	
Wheelbase	1,428±10 mm (56.22±0.39 in)	
Ground clearance, unloaded	325 mm (12.8 in)	
Seat height, unloaded	895 mm (35.24 in)	
Weight without fuel, approx.	101 kg (223 lb.)	
Maximum permissible front axle load	135 kg (298 lb.)	
Maximum permissible rear axle load	175 kg (386 lb.)	
Maximum permissible overall weight	280 kg (617 lb.)	

22.5 Electrical system

Battery	YTX4L-BS	Battery voltage: 12 V Nominal capacity: 3 Ah Maintenance-free
Speedometer battery	CR 2430	Battery voltage: 3 V
Fuse	58011109110	10 A
Fuse	58011109120	20 A
Headlight	S2/socket BA20d	12 V 35/35 W
Parking light	W5W/socket W2.1x9.5d	12 V 5 W
Indicator lamps	W2.3W/socket W2x4.6d	12 V 2.3 W
Turn signal	R10W/socket BA15s	12 V 10 W
Brake/tail light	LED	
License plate lamp	W5W/socket W2.1x9.5d	12 V 5 W

22.6 Tires

Front tires	Rear tires
2.75 - 21 M/C 45M TT Dunlop D 803 F	4.00 R 18 M/C 64M TL Dunlop D 803
Additional information is available in the Service section under: http://www.ktm.com	

22.7 Fork

Fork part number	05.18.7L.40
fork	WP Suspension 4357 MXMA
Compression damping	
Comfort	25 clicks
Standard	20 clicks
Sport	15 clicks
Rebound damping	
Comfort	25 clicks
Standard	20 clicks
Sport	15 clicks
Spring length with preload spacer(s)	
Weight of rider: 65... 75 kg (143... 165 lb.)	445 mm (17.52 in)
Weight of rider: 75... 85 kg (165... 187 lb.)	445 mm (17.52 in)
Weight of rider: 85... 95 kg (187... 209 lb.)	445 mm (17.52 in)
Spring rate	
Weight of rider: 65... 75 kg (143... 165 lb.)	4.4 N/mm (25.1 lb/in)
Weight of rider: 75... 85 kg (165... 187 lb.)	4.6 N/mm (26.3 lb/in)
Weight of rider: 85... 95 kg (187... 209 lb.)	4.8 N/mm (27.4 lb/in)
Fork length	835 mm (32.87 in)
Air chamber length	120 ⁺¹⁰ ₋₄₀ mm (4.72 ^{+0.39} _{-1.57} in)
Fork oil per fork leg	375 ml (12.68 fl. oz.)
Fork oil (SAE 4) (48601166S1) (☛ p. 109)	

22.8 Shock absorber

Shock absorber part number	15.18.7L.40
Shock absorber	WP Suspension 4618 BAVP DCC
Compression damping, low-speed	
Comfort	20 clicks
Standard	15 clicks
Sport	5 clicks
Compression damping, high-speed	
Comfort	2.5 turns
Standard	2 turns
Sport	1 turn
Rebound damping	
Comfort	20 clicks
Standard	15 clicks
Sport	10 clicks
Spring preload	
Comfort	10 mm (0.39 in)
Standard	10 mm (0.39 in)
Sport	10 mm (0.39 in)
Spring rate	
Weight of rider: 65... 75 kg (143... 165 lb.)	58 N/mm (331 lb/in)
Weight of rider: 75... 85 kg (165... 187 lb.)	62 N/mm (354 lb/in)
Weight of rider: 85... 95 kg (187... 209 lb.)	66 N/mm (377 lb/in)
Spring length	215 mm (8.46 in)
Gas pressure	10 bar (145 psi)
Static sag	15 mm (0.59 in)
Riding sag	75 mm (2.95 in)
Fitted length	367 mm (14.45 in)
Shock absorber oil	Shock absorber oil (SAE 2.5) (50180342S1) (☛ p. 109)

22.9 Chassis tightening torques

Spoke nipple	M4.5	5... 6 Nm (3.7... 4.4 lbf ft)	–
Screw, battery terminal	M5	2.5 Nm (1.84 lbf ft)	–
Screw, shock absorber adjusting ring	M5	5 Nm (3.7 lbf ft)	–
Remaining nuts, chassis	M6	10 Nm (7.4 lbf ft)	–
Remaining screws, chassis	M6	10 Nm (7.4 lbf ft)	–
Screw, ball joint of push rod on foot brake cylinder	M6	10 Nm (7.4 lbf ft)	Loctite® 243™
Screw, front brake disc	M6	14 Nm (10.3 lbf ft)	Loctite® 243™
Screw, rear brake disc	M6	14 Nm (10.3 lbf ft)	Loctite® 243™
Screws, throttle grip	M6	3 Nm (2.2 lbf ft)	–
Fuel connection on fuel pump	M8	10 Nm (7.4 lbf ft)	–
Nut, foot brake lever stop	M8	20 Nm (14.8 lbf ft)	–
Nut, rear sprocket screw	M8	35 Nm (25.8 lbf ft)	Loctite® 243™
Nut, rim lock	M8	10 Nm (7.4 lbf ft)	–
Remaining nuts, chassis	M8	25 Nm (18.4 lbf ft)	–
Remaining screws, chassis	M8	25 Nm (18.4 lbf ft)	–
Screw of rear brake caliper	M8	25 Nm (18.4 lbf ft)	Loctite® 243™
Screw, bottom triple clamp	M8	18 Nm (13.3 lbf ft)	–
Screw, chain sliding piece	M8	15 Nm (11.1 lbf ft)	–
Screw, fork stub	M8	15 Nm (11.1 lbf ft)	–

Screw, front brake caliper	M8	25 Nm (18.4 lbf ft)	Loctite® 243™
Screw, fuel tank	M8	15 Nm (11.1 lbf ft)	–
Screw, handlebar clamp	M8	20 Nm (14.8 lbf ft)	–
Screw, side stand attachment	M8	25 Nm (18.4 lbf ft)	Loctite® 243™
Screw, subframe	M8	30 Nm (22.1 lbf ft)	Loctite® 243™
Screw, top steering stem	M8	17 Nm (12.5 lbf ft)	Loctite® 243™
Screw, top triple clamp	M8	22 Nm (16.2 lbf ft)	–
Nut, fuel tank attachment	M10	10 Nm (7.4 lbf ft)	–
Remaining nuts, chassis	M10	45 Nm (33.2 lbf ft)	–
Remaining screws, chassis	M10	45 Nm (33.2 lbf ft)	–
Screw, cross bar	M10	45 Nm (33.2 lbf ft)	–
Screw, engine bracket screw	M10	60 Nm (44.3 lbf ft)	–
Screw, foot brake lever	M10	30 Nm (22.1 lbf ft)	Loctite® 243™
Screw, footrest bracket	M10	45 Nm (33.2 lbf ft)	Loctite® 243™
Screw, handlebar support	M10	40 Nm (29.5 lbf ft)	Loctite® 243™
Screw, upper subframe	M10	45 Nm (33.2 lbf ft)	Loctite® 243™
Nut, fuel pump fixation	M12	15 Nm (11.1 lbf ft)	–
Screw, bottom shock absorber	M12	80 Nm (59 lbf ft)	Loctite® 243™
Screw, top shock absorber	M12	80 Nm (59 lbf ft)	Loctite® 243™
Nut, swingarm pivot	M14x1.5	75 Nm (55.3 lbf ft)	–
Nut, rear wheel spindle	M20x1.5	80 Nm (59 lbf ft)	–
Screw, front wheel spindle	M20x1.5	35 Nm (25.8 lbf ft)	–
Screw, top steering head	M20x1.5	12 Nm (8.9 lbf ft)	–

Brake fluid DOT 4 / DOT 5.1

According to

- DOT

Guideline

- Use only brake fluid that complies with the specified standard (see specifications on the container) and that possesses the corresponding properties. KTM recommends **Castrol** and **Motorex®** products.

Supplier

Castrol

- **RESPONSE BRAKE FLUID SUPER DOT 4**

Motorex®

- **Brake Fluid DOT 5.1**

Coolant

Guideline

- Use only suitable coolant (also in countries with high temperatures). Use of low-quality antifreeze can lead to corrosion and foaming. KTM recommends **Motorex®** products.

Mixture ratio

Antifreeze protection: -25... -45 °C (-13... -49 °F)	50 % corrosion inhibitor/antifreeze 50 % distilled water
--	---

Coolant (mixed ready to use)

Antifreeze	-40 °C (-40 °F)
------------	-----------------

Supplier

Motorex®

- **COOLANT G48**

Engine oil (SAE 10W/50)

According to

- JASO T903 MA (☛ p. 112)
- SAE (☛ p. 112) (SAE 10W/50)

Guideline

- Use only engine oils that comply with the specified standards (see specifications on the container) and that possess the corresponding properties. KTM recommends **Motorex®** products.

Synthetic engine oil

Supplier

Motorex®

- **Cross Power 4T**

Engine oil (SAE 10W/60) (00062010035)

According to

- JASO T903 MA (☛ p. 112)
- SAE (☛ p. 112) (SAE 10W/60)
- KTM LC4 2007+

Guideline

- Use only engine oils that comply with the specified standards (see specifications on the container) and that possess the corresponding properties. KTM recommends **Motorex®** products.

Synthetic engine oil

Supplier

Motorex®

- **Cross Power 4T**

Fork oil (SAE 4) (48601166S1)

According to

- SAE (☛ p. 112) (SAE 4)

Guideline

- Use only oils that comply with the specified standards (see specifications on the container) and that possess the corresponding properties.

Shock absorber oil (SAE 2.5) (50180342S1)

According to

- SAE (☛ p. 112) (SAE 2.5)

Guideline

- Use only oils that comply with the specified standards (see specifications on the container) and that possess the corresponding properties.

Super unleaded (ROZ 95/RON 95/PON 91)

According to

- DIN EN 228 (ROZ 95/RON 95/PON 91)

Guideline

- Only use unleaded super fuel that matches or is equivalent to the specified fuel grade.
- Fuel with an ethanol content of up to 10 % (E10 fuel) is safe to use.



Info

Do **not** use fuel containing methanol (e. g. M15, M85, M100) or more than 10 % ethanol (e. g. E15, E25, E85, E100).

Air filter cleaner

Guideline

- KTM recommends **Motorex®** products.

Supplier

Motorex®

- **Twin Air Dirt Bio Remover**

Chain cleaner

Guideline

- KTM recommends **Motorex®** products.

Supplier

Motorex®

- **Chain Clean**

Cleaning and preserving materials for metal, rubber and plastic

Guideline

- KTM recommends **Motorex®** products.

Supplier

Motorex®

- **Protect & Shine**

Fuel additive

Guideline

- KTM recommends **Motorex®** products.

Supplier

Motorex®

- **Fuel Stabilizer**

High viscosity grease

Guideline

- KTM recommends **SKF®** products.

Supplier

SKF®

- **LGHB 2**

Long-life grease

Guideline

- KTM recommends **Motorex®** products.

Supplier

Motorex®

- **Bike Grease 2000**

Motorcycle cleaner

Guideline

- KTM recommends **Motorex®** products.

Supplier

Motorex®

- **Moto Clean 900**

Off-road chain spray

Guideline

- KTM recommends **Motorex®** products.

Supplier

Motorex®

- **Chainlube Offroad**

Oil for foam air filter

Guideline

- KTM recommends **Motorex®** products.

Supplier

Motorex®

- **Twin Air Liquid Bio Power**

Paint cleaner and polish for high-gloss and matte finishes, bare metal and plastic surfaces

Guideline

- KTM recommends **Motorex®** products.

Supplier

Motorex®

- **Clean & Polish**

Rubber grip adhesive (00062030051)

Supplier

KTM-Sportmotorcycle AG

- **GRIP GLUE**

Universal oil spray

Guideline

- KTM recommends **Motorex®** products.

Supplier

Motorex®

- **Joker 440 Synthetic**

JASO T903 MA

Different technical development directions required a new specification for 4-stroke motorcycles – the JASO T903 MA Standard. Earlier, engine oils from the automobile industry were used for 4-stroke motorcycles because there was no separate motorcycle specification. Whereas long service intervals are demanded for automobile engines, high performance at high engine speeds are in the foreground for motorcycle engines. In most motorcycles, the gearbox and the clutch are lubricated with the same oil as the engine. The JASO MA Standard meets these special requirements.

SAE

The SAE viscosity classes were defined by the Society of Automotive Engineers and are used for classifying oils according to their viscosity. The viscosity describes only one property of oil and says nothing about quality.

A	
Accessories	8
Air filter	
cleaning	51
installing	51
removing	50
Air filter housing	
cleaning	51
installing	50
removing	49
Antifreeze	
checking	86
Auxiliary substances	8
B	
Basic chassis setting	
checking with rider's weight	33
Battery	
installing	78
recharging	79
removing	78
Blink code	100-101
Brake discs	
checking	65
Brake fluid	
front brake, adding	66
rear brake, adding	70
Brake fluid level	
front brake, checking	66
rear brake, checking	70
Brake linings	
front brake, changing	67
front brake, checking	67
rear brake, changing	71
rear brake, checking	71
Brake system	65-73
C	
Capacity	
coolant	88, 104
engine oil	93, 104
fuel	30, 104
Chain	
checking	58
cleaning	56
Chain guide	
adjusting	60
checking	58
Chain tension	
adjusting	57
checking	57
Chassis number	11
Clutch	
fluid level, checking	62
fluid level, correcting	62
fluid, changing	62

Clutch lever	13
basic position, adjusting	62
Compression damping	
fork, adjusting	38
Compression damping, high-speed	
shock absorber, adjusting	34
Compression damping, low-speed	
shock absorber, adjusting	33
Coolant	
draining	87
refilling	88
Coolant level	
checking	86-87
Cooling system	86
Customer service	8
E	
Electric starter button	14
Emergency OFF switch	14
Engine	
running in	26
Engine guard	
installing	64
removing	63
Engine number	11
Engine oil	
adding	94
changing	92
Engine oil level	
checking	91
Engine sprocket	
checking	58
Environment	7
F	
Figures	8
Filler cap	
closing	22
opening	21
Filling up	
fuel	30
Foot brake lever	23
basic position, adjusting	69
free travel, checking	69
Fork legs	
basic setting, checking	37
bleeding	40
dust boots, cleaning	41
installing	42
removing	41
Fork protector	
installing	43
removing	42
Frame	
checking	60
Front fender	
installing	48

removing	47
Front wheel	
installing	74
removing	74
Fuel screen	
changing	91
Fuel tank	
installing	55
removing	53
Fuse	
individual power consumers, changing	80
main fuse, changing	80
H	
Hand brake lever	13
free travel, adjusting	65
free travel, checking	65
Handlebar position	38
adjusting	39
Headlight	
headlight range, adjusting	84
Headlight bulb	
changing	83
Headlight mask with headlight	
installing	82
removing	82
Headlight setting	
checking	84
Horn button	13
I	
Idle speed	
adjusting	90
Idle speed adjusting screw	22
Intended use	6
K	
Key number	11
Kill switch	13
L	
Light switch	14
Lower triple clamp	
installing	44
removing	43
M	
Main fuse	
changing	80
Main silencer	
glass fiber yarn filling, changing	53
installing	52
removing	52
Motorcycle	
cleaning	95
raising with lift stand	40
removing from lift stand	40

O	
Oil filter	
changing	92
Oil screen	
cleaning	92
Operating substances	8
Overview of indicator lamps	15
Owner's Manual	7
P	
Play in the throttle cable	
adjusting	89
checking	89
Preparing for use	
advice on first use	25
after storage	97
checks and maintenance work when preparing for use	27
Protective clothing	7
R	
Rear sprocket	
checking	58
Rear wheel	
installing	75
removing	75
Rebound damping	
fork, adjusting	38
shock absorber, adjusting	34
Riding sag	
adjusting	37
Rubber grip	
checking	61
securing	61
S	
Safe operation	7
Seat	
folding up	48
locking	48
Service	8
Service schedule	31-32
Shift lever	22
basic position, adjusting	90
basic position, checking	90
Shock absorber	
installing	47
removing	47
riding sag, checking	36
spring preload, adjusting	36
static sag, checking	35
Side stand	23
Spare parts	8
Speedometer	
adjusting	16
battery, changing	85
clock, setting	17
kilometers or miles, setting	16
overview	15

Spoiler	
mounting	49
removing	48
Spoke tension	
checking	77
Starting	27
Steering	
locking	24
unlocking	24
Steering head bearing	
greasing	46
Steering head bearing play	
adjusting	46
checking	45
Storage	97
Swingarm	
checking	60
T	
Technical data	
capacities	104
chassis	104
chassis tightening torques	106
electrical system	105
engine	102
engine tightening torques	102
fork	105
shock absorber	106
tires	105
Throttle cable routing	
checking	61
Throttle grip	13
Tire air pressure	
checking	77
Tire condition	
checking	76
Transport	29
Troubleshooting	98-99
Turn signal bulb	
changing	84
Turn signal switch	14
Type label	11
U	
Use definition	6
V	
View of vehicle	
left front	9
rear right	10
W	
Warranty	8
Winter operation	
checks and maintenance steps	96
Work rules	7



3211907en

07/2012

