

PIONEERING SINCE 1903

OWNER'S MANUAL 2018



TE 250i
TE 300i

Art. no. 3402171en



Husqvarna[®]
MOTORCYCLES

DEAR HUSQVARNA MOTORCYCLES CUSTOMER

Congratulations on your decision to purchase a Husqvarna motorcycle. You are now the owner of a state-of-the-art sports motorcycle that will give you enormous pleasure if you service and maintain it accordingly.

We hope you enjoy your new vehicle!

Enter the serial numbers of your vehicle below.

Chassis number (📖 p. 15)	Dealer's stamp
Engine number (📖 p. 15)	
Key number (All EU models) (📖 p. 15)	

The Owner's Manual contained the latest information for this model series at the time of going to print. However, minor differences due to further developments in design cannot be ruled out completely.

All specifications are non-binding. Husqvarna Motorcycles GmbH specifically reserves the right to modify or delete technical specifications, prices, colors, forms, materials, services, designs, equipment, etc., without prior notice and without specifying reasons, to adapt these to local conditions, as well as to stop production of a particular model without prior notice. Husqvarna Motorcycles accepts no liability for delivery options, deviations from illustrations and descriptions, as well as misprints and other errors. The models portrayed partly contain special equipment that does not belong to the regular scope of supply.

© 2017 Husqvarna Motorcycles GmbH, Mattighofen Austria

All rights reserved

Reprinting, including excerpts, and duplication of any kind only with the written consent of the publisher.



ISO 9001(12 100 6061)

Husqvarna Motorcycles applies quality assurance processes that lead to the highest possible product quality as defined in the ISO 9001 international quality management standard.

Issued by: TÜV Management Service

REG.NO. 12 100 6061

Husqvarna Motorcycles GmbH

Stallhofnerstraße 3

5230 Mattighofen, Austria

This document is valid for the following models:

TE 250i EU (F2303R7)

TE 250i US (F2375R7)

TE 300i EU (F2403R7)



3402171en

06/2017

TABLE OF CONTENTS

1	MEANS OF REPRESENTATION.....	6	6.13	Indicator lamps overview (TE 250i US)	20
1.1	Symbols used	6	6.14	Opening the filler cap.....	20
1.2	Formats used.....	6	6.15	Closing the filler cap	21
2	SAFETY ADVICE	7	6.16	Opening 2-stroke oil tank cap	21
2.1	Use definition – intended use	7	6.17	Closing 2-stroke oil tank cap.....	21
2.2	Misuse.....	7	6.18	Cold start button.....	22
2.3	Safety advice	7	6.19	Idle speed adjusting screw	22
2.4	Degrees of risk and symbols	8	6.20	Shift lever	22
2.5	Tampering warning	8	6.21	Kick starter.....	23
2.6	Safe operation.....	8	6.22	Foot brake lever	23
2.7	Protective clothing	9	6.23	Side stand.....	23
2.8	Work rules.....	9	6.24	Steering lock (All EU models).....	24
2.9	Environment.....	10	6.25	Locking the steering (All EU models)	24
2.10	Owner's Manual	10	6.26	Unlocking the steering (All EU models)	24
3	IMPORTANT NOTES	11	7	COMBINATION INSTRUMENT	25
3.1	Manufacturer and implied warranty	11	7.1	Overview	25
3.2	Operating and auxiliary substances ...	11	7.2	Activation	25
3.3	Spare parts, accessories	11	7.3	Messages on the combination instrument.....	25
3.4	Service	11	7.4	Adjusting the combination instrument.....	25
3.5	Figures	11	7.5	Setting the kilometers or miles	26
3.6	Customer service.....	12	7.6	Setting the clock	27
4	VIEW OF VEHICLE	13	7.7	Setting the service display.....	27
4.1	View of vehicle, front left (example)	13	7.8	Speed, time, and DST distance 1	28
4.2	View of vehicle, rear right (example).....	14	7.9	Speed, time, and DST2 distance 2	28
5	SERIAL NUMBERS.....	15	7.10	AVG average speed, ART operating hours, and ODO total distance covered	29
5.1	Chassis number	15	8	PREPARING FOR USE.....	30
5.2	Type label (All EU models).....	15	8.1	Advice on first use	30
5.3	Key number (All EU models)	15	8.2	Running in the engine	31
5.4	Engine number.....	15	8.3	Starting power of lithium-ion batteries at low temperatures	32
5.5	Fork article number.....	16	8.4	Preparing the vehicle for difficult riding conditions	32
5.6	Shock absorber article number	16	8.5	Preparing vehicle for rides on dry sand	33
6	CONTROLS	17	8.6	Preparing vehicle for rides on wet sand	34
6.1	Clutch lever	17	8.7	Preparing vehicle for rides on wet and muddy circuits	35
6.2	Hand brake lever.....	17	8.8	Preparing vehicle for high temperatures or slow riding.....	35
6.3	Throttle grip.....	17	8.9	Preparing vehicle for low temperatures or snow.....	36
6.4	Kill switch (All EU models)	17			
6.5	Kill switch (TE 250i US).....	18			
6.6	Horn button (All EU models)	18			
6.7	Light switch (All EU models)	18			
6.8	Light switch (TE 250i US).....	18			
6.9	Turn signal switch (All EU models).....	19			
6.10	Electric starter button	19			
6.11	Map switch	19			
6.12	Indicator lamps overview (All EU models)	19			





















9	RIDING INSTRUCTIONS	37	12	SERVICE WORK ON THE CHASSIS	56
9.1	Checks and maintenance measures when preparing for use	37	12.1	Raising the motorcycle with a lift stand	56
9.2	Starting the vehicle	37	12.2	Removing the motorcycle from the lift stand	56
9.3	Starting off	38	12.3	Bleeding the fork legs	56
9.4	Shifting, riding	38	12.4	Cleaning the dust boots of the fork legs	57
9.5	Braking	39	12.5	Removing the fork legs 	57
9.6	Stopping, parking	40	12.6	Installing the fork legs 	58
9.7	Transporting	40	12.7	Removing the fork protector	59
9.8	Refueling	41	12.8	Installing the fork protector	59
9.9	Adding 2-stroke oil	42	12.9	Removing the lower triple clamp 	59
10	SERVICE SCHEDULE	43	12.10	Installing the lower triple clamp 	60
10.1	Additional information	43	12.11	Checking the play of the steering head bearing	62
10.2	Required work	43	12.12	Adjusting the play of the steering head bearing 	63
10.3	Recommended work	44	12.13	Greasing the steering head bearing 	63
11	TUNING THE CHASSIS	46	12.14	Removing front fender	64
11.1	Checking the basic chassis setting with the rider's weight	46	12.15	Installing front fender	64
11.2	Compression damping of the shock absorber	46	12.16	Removing the shock absorber 	65
11.3	Adjusting the low-speed compression damping of the shock absorber	46	12.17	Installing the shock absorber 	66
11.4	Adjusting the high-speed compression damping of the shock absorber	47	12.18	Removing the seat	68
11.5	Adjusting the rebound damping of the shock absorber	48	12.19	Mounting the seat	69
11.6	Measuring the rear wheel dimension unloaded	48	12.20	Removing the air filter box cover	69
11.7	Checking the static sag of the shock absorber	49	12.21	Installing the air filter box cover	70
11.8	Checking the riding sag of the shock absorber	49	12.22	Removing the air filter 	70
11.9	Adjusting the spring preload of the shock absorber 	50	12.23	Cleaning the air filter and air filter box 	71
11.10	Adjusting the riding sag 	51	12.24	Installing the air filter 	71
11.11	Checking the basic setting of the fork	51	12.25	Sealing the air filter box 	72
11.12	Adjusting the compression damping of the fork	52	12.26	Removing the main silencer	72
11.13	Adjusting the rebound damping of the fork	52	12.27	Installing the main silencer	73
11.14	Adjusting the spring preload of the fork	53	12.28	Changing the glass fiber yarn filling in the main silencer 	73
11.15	Handlebar position	54	12.29	Removing the right side cover	74
11.16	Adjusting the handlebar position 	54	12.30	Installing the right side cover	74
			12.31	Removing the fuel tank 	74
			12.32	Installing the fuel tank 	76
			12.33	Checking the chain for dirt	78
			12.34	Cleaning the chain	78
			12.35	Checking the chain tension	79
			12.36	Adjusting the chain tension	80
			12.37	Checking the chain, rear sprocket, engine sprocket, and chain guide	81
			12.38	Checking the frame 	83
			12.39	Checking the swingarm 	83
			12.40	Checking throttle cable routing	83
			12.41	Checking the rubber grip	84

TABLE OF CONTENTS

12.42	Adjusting the basic position of the clutch lever.....	85	15.12	Changing the combination instrument.....	118
12.43	Checking/correcting the fluid level of the hydraulic clutch	85	15.13	Diagnostics connector	118
12.44	Changing the hydraulic clutch fluid 🛠️.....	86	16	COOLING SYSTEM.....	119
12.45	Removing the engine guard.....	87	16.1	Cooling system	119
12.46	Installing the engine guard.....	88	16.2	Checking the antifreeze and coolant level.....	119
13	BRAKE SYSTEM	89	16.3	Checking the coolant level.....	120
13.1	Adjusting the basic position of the hand brake lever	89	16.4	Draining the coolant 🛠️.....	120
13.2	Checking the brake discs	89	16.5	Refilling with coolant 🛠️.....	121
13.3	Checking the front brake fluid level	90	17	TUNING THE ENGINE.....	124
13.4	Adding front brake fluid 🛠️.....	90	17.1	Checking the play in the throttle cable	124
13.5	Checking the front brake linings.....	91	17.2	Adjusting the play in the throttle cable 🛠️.....	124
13.6	Changing the front brake linings 🛠️.....	92	17.3	Setting the characteristic map of the throttle response 🛠️.....	125
13.7	Checking the free travel of the foot brake lever	94	17.4	Adjusting the idle speed 🛠️.....	126
13.8	Adjusting the basic position of the foot brake lever 🛠️.....	94	17.5	Programming ambient pressure	127
13.9	Checking the rear brake fluid level	95	17.6	Ignition curve plug-in connector.....	128
13.10	Adding rear brake fluid 🛠️.....	96	17.7	Changing the ignition timing map.....	128
13.11	Checking the brake linings of the rear brake.....	97	17.8	Checking the basic position of the shift lever.....	129
13.12	Changing the rear brake linings 🛠️.....	97	17.9	Adjusting the basic position of the shift lever 🛠️.....	129
14	WHEELS, TIRES.....	101	18	SERVICE WORK ON THE ENGINE	130
14.1	Removing the front wheel 🛠️.....	101	18.1	Changing the fuel screen 🛠️.....	130
14.2	Installing the front wheel 🛠️.....	102	18.2	Checking 2-stroke oil level.....	131
14.3	Removing the rear wheel 🛠️.....	102	18.3	Timing oil pump 🛠️.....	132
14.4	Installing the rear wheel 🛠️.....	103	18.4	Checking the gear oil level.....	133
14.5	Checking the tire condition.....	105	18.5	Changing the gear oil 🛠️.....	134
14.6	Checking the tire air pressure.....	105	18.6	Adding gear oil 🛠️.....	135
14.7	Checking spoke tension	106	19	CLEANING, CARE	137
15	ELECTRICAL SYSTEM.....	107	19.1	Cleaning the motorcycle.....	137
15.1	Removing the battery 🛠️.....	107	19.2	Checks and maintenance steps for winter operation.....	138
15.2	Installing the battery 🛠️.....	108	20	STORAGE.....	139
15.3	Recharging the battery 🛠️.....	108	20.1	Storage	139
15.4	Changing the main fuse	110	20.2	Preparing for use after storage.....	140
15.5	Changing the fuses of individual power consumers	112	21	TROUBLESHOOTING	141
15.6	Removing the headlight mask with the headlight	113	22	TECHNICAL DATA	144
15.7	Installing the headlight mask with the headlight	114	22.1	Engine	144
15.8	Changing the headlight bulb.....	115	22.1.1	All TE 250i	144
15.9	Changing the turn signal bulb (All EU models).....	116	22.1.2	TE 300i EU.....	144
15.10	Checking the headlight setting	117	22.2	Engine tightening torques.....	145
15.11	Adjusting the headlight range	117			

22.3	Capacities	147
22.3.1	Gear oil	147
22.3.2	Coolant.....	147
22.3.3	Fuel.....	147
22.4	Chassis	147
22.5	Electrical system.....	148
22.6	Tires	148
22.7	Fork.....	149
22.8	Shock absorber	149
22.9	Chassis tightening torques	150
23	SUBSTANCES.....	152
24	AUXILIARY SUBSTANCES.....	154
25	STANDARDS	155
26	INDEX OF SPECIAL TERMS	156
27	LIST OF ABBREVIATIONS	157
28	LIST OF SYMBOLS	158
28.1	Red symbols	158
28.2	Yellow and orange symbols.....	158
28.3	Green and blue symbols.....	158
	INDEX.....	159

1 MEANS OF REPRESENTATION

1.1 Symbols used

The meaning of specific symbols is described below.



Indicates an expected reaction (e.g. of a work step or a function).



Indicates an unexpected reaction (e.g. of a work step or a function).



All work marked with this symbol requires specialist knowledge and technical understanding. In the interests of your own safety, have these jobs performed by an authorized Husqvarna Motorcycles workshop. There, your motorcycle will be optimally maintained by specially trained experts using the specialist tools required.



Indicates a page reference (more information is provided on the specified page).



Indicates information with more details or tips.



Indicates the result of a testing step.



Indicates the end of an activity, including potential rework.

1.2 Formats used

The typographical formats used in this document are explained below.

Proprietary name

Indicates a proprietary name.

Name[®]

Indicates a protected name.

Brand[™]

Indicates a brand available on the open market.

Underlined terms

Refer to technical details of the vehicle or indicate technical terms, which are explained in the glossary.

2.1 Use definition – intended use

(All EU models)

This vehicle is designed and built to withstand the normal stresses and strains of competitive use. This vehicle complies with the currently valid regulations and categories of the top international motorsport organizations.



Info

This vehicle is only authorized for operation on public roads in the homologated (restricted) version. The derestricted version of this vehicle must only be operated in closed off areas away from public highway traffic.

This vehicle is designed for use in offroad endurance competition, and not primarily for use in motocross.

(TE 250i US)

This vehicle is designed and built to withstand the normal stresses and strains of competitive use. This vehicle complies with the currently valid regulations and categories of the top international motorsport organizations.



Info

Only operate this vehicle in closed-off areas remote from public road traffic.

This vehicle is designed for use in offroad endurance competition, and not primarily for use in motocross.

2.2 Misuse

The vehicle must only be used as intended.

Dangers can arise for people, property and the environment through use not as intended.

Any use of the vehicle beyond the intended and defined use constitutes misuse.

Misuse also includes the use of operating and auxiliary fluids which do not meet the required specification for the respective use.

2.3 Safety advice

A number of safety instructions need to be followed to operate the vehicle safely. Therefore, read this manual carefully. The safety instructions are highlighted in the text and are referred to at the relevant passages.



Info

The vehicle has various information and warning labels at prominent locations. Do not remove information/warning labels. If they are missing, you or others may not recognize dangers and may therefore be injured.

2.4 Degrees of risk and symbols



Danger

Indicates a danger that will immediately and invariably lead to fatal or serious permanent injury if the appropriate measures are not taken.



Warning

Indicates a danger that is likely to lead to fatal or serious injury if the appropriate measures are not taken.



Caution

Indicates a danger that may lead to minor injuries if the appropriate measures are not taken.

Note

Indicates a danger that will lead to considerable machine and material damage if the appropriate measures are not taken.



Warning

Indicates a danger that will lead to environmental damage if the appropriate measures are not taken.

2.5 Tampering warning

Tampering with the noise control system is prohibited. Federal law prohibits the following acts or the causing thereof:

- 1 The removal or rendering inoperative by any person other than for purposes of maintenance, repair, or replacement, of any device or element of design incorporated into any new vehicle for the purpose of noise control prior to its sale or delivery to the ultimate purchaser or while it is in use, or
- 2 the use of the vehicle after such device or element of design has been removed or rendered inoperative by any person.

Among those acts presumed to constitute tampering are the acts listed below:

- 1 Removal or puncturing of the main silencer, baffles, header pipes or any other components which conduct exhaust gases.
- 2 Removal or puncturing of parts of the intake system.
- 3 Lack of proper maintenance.
- 4 Replacing moving part of the vehicle, or parts of the exhaust or intake system, with parts other than those specified by the manufacturer.

2.6 Safe operation



Danger

Danger of accidents A rider who is not fit to ride poses a danger to him or herself and others.

- Do not operate the vehicle if you are not fit to ride due to alcohol, drugs or medication.
- Do not operate the vehicle if you are physically or mentally impaired.



Danger

Danger of poisoning Exhaust gases are toxic and inhaling them may result in unconsciousness and death.

- Always make sure there is sufficient ventilation when running the engine.
- Use an effective exhaust extraction system when starting or running the engine in an enclosed space.



Warning

Danger of burns Some vehicle components become very hot when the vehicle is operated.

- Do not touch any parts such as the exhaust system, radiator, engine, shock absorber, or brake system before the vehicle parts have cooled down.
- Let the vehicle parts cool down before you perform any work on the vehicle.

Only operate the vehicle when it is in perfect technical condition, in accordance with its intended use, and in a safe and environmentally compatible manner.

The vehicle should only be used by trained persons. An appropriate driver's license is needed to ride the vehicle on public roads.

Have malfunctions that impair safety promptly eliminated by an authorized Husqvarna Motorcycles workshop. Adhere to the information and warning labels on the vehicle.

2.7 Protective clothing



Warning

Risk of injury Missing or poor protective clothing presents an increased safety risk.

- Wear appropriate protective clothing such as helmet, boots, gloves as well as trousers and a jacket with protectors on all rides.
- Always wear protective clothing that is in good condition and meets the legal regulations.

In the interest of your own safety, Husqvarna Motorcycles recommends that you only operate the vehicle while wearing protective clothing.

2.8 Work rules

Special tools are necessary for certain tasks. The tools are not a component of the vehicle, but can be ordered using the number in parentheses. Example: bearing puller (15112017000)

During assembly, use new parts to replace parts which cannot be reused (e.g. self-locking screws and nuts, seals, sealing rings, O-rings, pins, and lock washers).

In the case of certain screws, a thread locker (e.g. **Loctite**[®]) is required. Apply according to the manufacturer's instructions.

After disassembly, clean the parts that are to be reused and check them for damage and wear. Change damaged or worn parts.

After completing a repair or service work, check the operating safety of the vehicle.

2.9 Environment

If you use your motorcycle responsibly, you can ensure that problems and conflicts do not occur. To protect the future of the motorcycle sport, make sure that you use your motorcycle legally, be environmentally aware, and respect the rights of others.

When disposing of used oil, other operating and auxiliary fluids, and used components, comply with the laws and regulations of the respective country.

Because motorcycles are not subject to the EU regulations governing the disposal of used vehicles, there are no legal regulations that pertain to the disposal of an end-of-life motorcycle. Your authorized Husqvarna Motorcycles dealer will be glad to advise you.

2.10 Owner's Manual

It is important that you read this Owner's Manual carefully and completely before making your first trip. The Owner's Manual contains useful information and many tips on how to operate, handle, and maintain your motorcycle. Only then will you find out how to customize the vehicle ideally for your own use and how you can protect yourself from injury.

Keep the Owner's Manual in an accessible place to enable you to refer to it as needed.

If you would like to know more about the vehicle or have questions on the material you read, please contact an authorized Husqvarna Motorcycles dealer.

The Owner's Manual is an important component of the vehicle and must be handed over to the new owner if the vehicle is sold.

The Owner's Manual is also available for download from your authorized Husqvarna Motorcycles dealer and on the Husqvarna Motorcycles website.

International Husqvarna Motorcycles website: www.husqvarna-motorcycles.com

3.1 Manufacturer and implied warranty

The work prescribed in the service schedule must be carried out by an authorized Husqvarna Motorcycles workshop only and confirmed in the customer's Service & Warranty Booklet and in the **Husqvarna Motorcycles Dealer.net**; otherwise, all warranty claims will be void. Damage or secondary damage caused by tampering with and/or conversions on the vehicle are not covered by the warranty. Additional information on the manufacturer or implied warranty and the procedures involved can be found in the Service & Warranty Booklet.

3.2 Operating and auxiliary substances



Warning

Environmental hazard Improper handling of fuel is a danger to the environment.

- Do not allow fuel to enter the groundwater, the soil, or the sewage system.

Use operating and auxiliary substances (such as fuel and lubricants) as specified in the Owner's Manual.

3.3 Spare parts, accessories

For your own safety, only use spare parts and accessory products that are approved and/or recommended by Husqvarna Motorcycles and have them installed by an authorized Husqvarna Motorcycles workshop. Husqvarna Motorcycles accepts no liability for other products and any resulting damage or loss. Certain spare parts and accessory products are specified in parentheses in the descriptions. Your authorized Husqvarna Motorcycles dealer will be glad to advise you.

The current Husqvarna Motorcycles accessories for your vehicle can be found on the Husqvarna Motorcycles website.

International Husqvarna Motorcycles website: www.husqvarna-motorcycles.com

3.4 Service

A prerequisite for perfect operation and prevention of premature wear is that the service, care, and tuning work on the engine and chassis is properly carried out as described in the Owner's Manual. Incorrect adjustment and tuning of the engine and chassis can lead to damage and breakage of components.

Use of the vehicle under difficult conditions, such as on sand or on wet and muddy surfaces, can lead to considerably more rapid wear of components such as the drive train, brake system, or suspension components.

For this reason, it may be necessary to inspect or replace parts before the next scheduled service.

It is imperative that you adhere to the stipulated run-in times and service intervals. If you observe these exactly, you will ensure a much longer service life for your motorcycle.

3.5 Figures

The figures contained in the manual may depict special equipment.

In the interest of clarity, some components may be shown disassembled or may not be shown at all. It is not always necessary to disassemble the component to perform the activity in question. Please follow the instructions in the text.

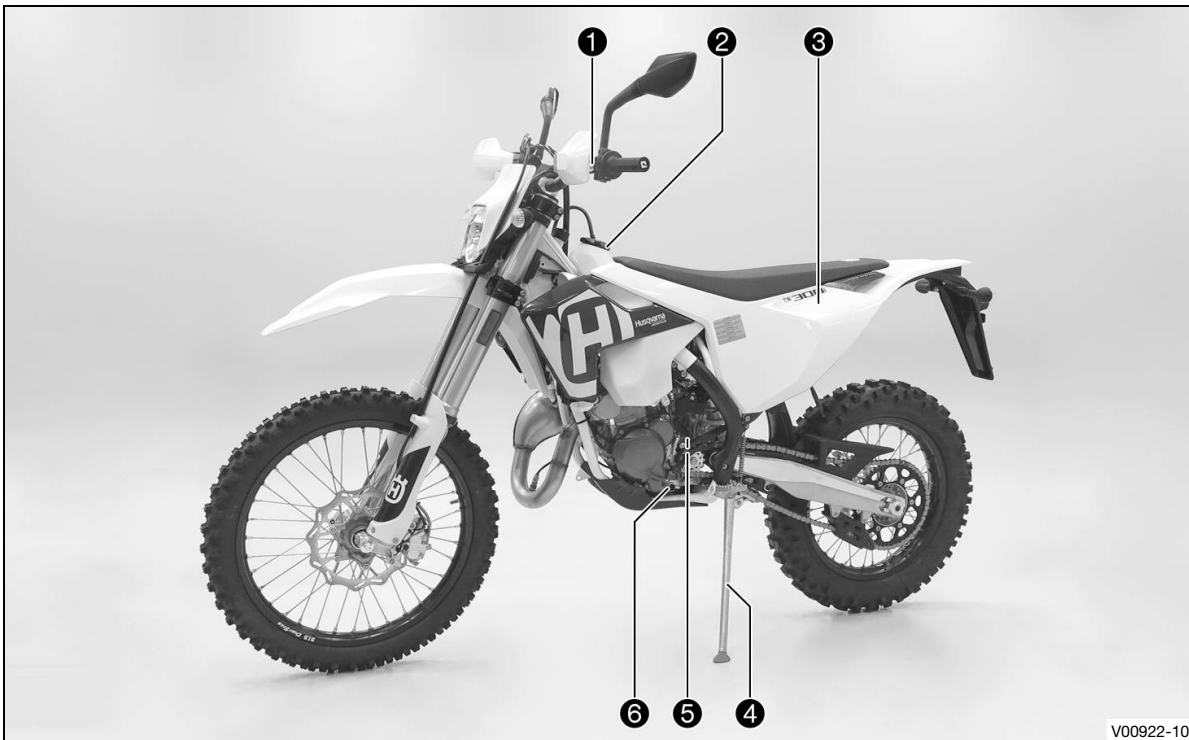
3 IMPORTANT NOTES

3.6 Customer service

Your authorized Husqvarna Motorcycles dealer will be happy to answer any questions you may have regarding your vehicle and Husqvarna Motorcycles.

A list of authorized Husqvarna Motorcycles dealers can be found on the Husqvarna Motorcycles website. International Husqvarna Motorcycles website: www.husqvarna-motorcycles.com

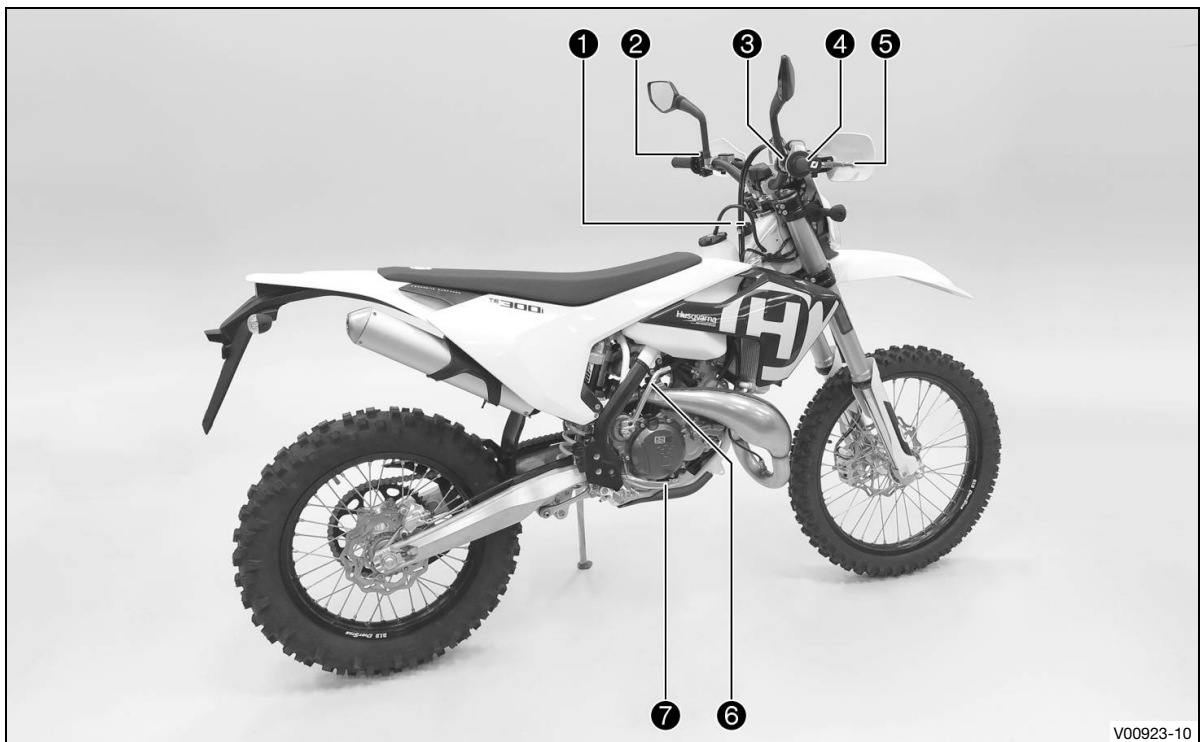
4.1 View of vehicle, front left (example)



- ① Clutch lever (📖 p. 17)
- ② Filler cap
- ③ Air filter box cover
- ④ Side stand (📖 p. 23)
- ⑤ Engine number (📖 p. 15)
- ⑥ Shift lever (📖 p. 22)

4 VIEW OF VEHICLE

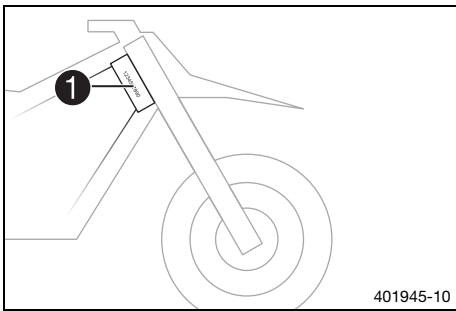
4.2 View of vehicle, rear right (example)



V00923-10

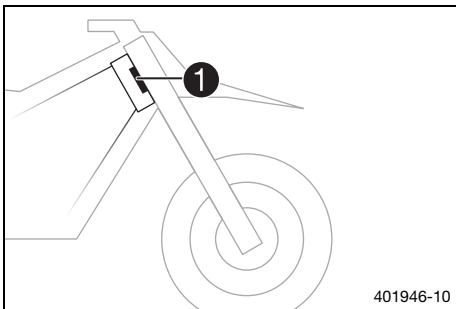
- ① 2-stroke oil tank cap
- ② Kill switch (📖 p. 17) **(All EU models)**
- ② Kill switch (📖 p. 18) **(TE 250i US)**
- ② Horn button (📖 p. 18) **(All EU models)**
- ② Light switch (📖 p. 18) **(All EU models)**
- ② Turn signal switch (📖 p. 19) **(All EU models)**
- ③ Electric starter button (📖 p. 19)
- ④ Throttle grip (📖 p. 17)
- ⑤ Hand brake lever (📖 p. 17)
- ⑥ Kick starter (📖 p. 23)
- ⑦ Foot brake lever (📖 p. 23)

5.1 Chassis number



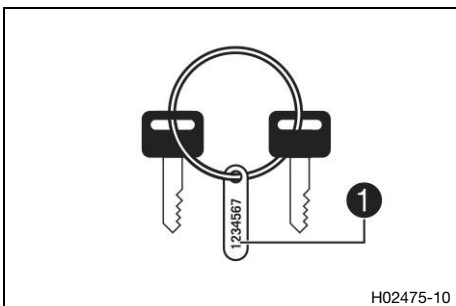
The chassis number ❶ is stamped on the right side of the steering head.

5.2 Type label (All EU models)



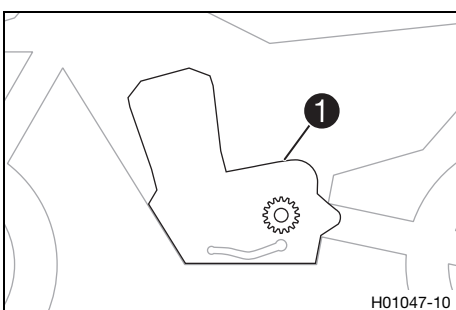
Type label ❶ is fixed to the front of the steering head.

5.3 Key number (All EU models)



Key number ❶ for the steering lock is stamped onto the key connector.

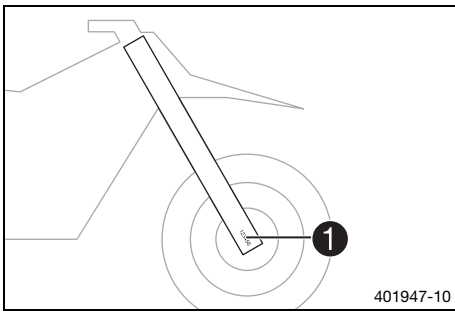
5.4 Engine number



The engine number ❶ is embossed on the left side of the engine above the engine sprocket.

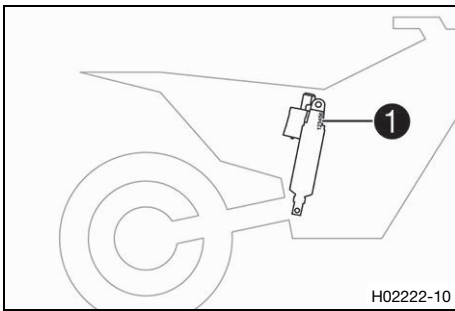
5 SERIAL NUMBERS

5.5 Fork article number



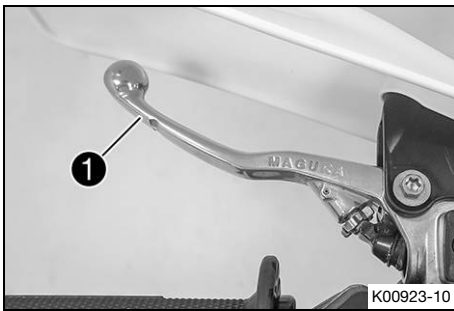
Fork article number ❶ is stamped on the inside of the axle clamp.

5.6 Shock absorber article number



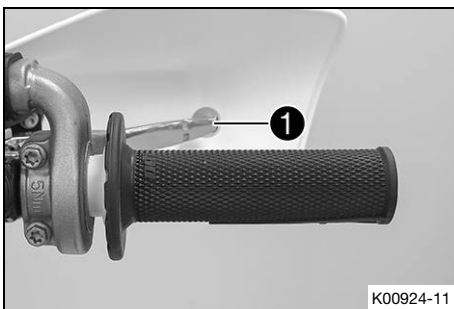
Shock absorber article number ❶ is stamped on the top of the shock absorber above the adjusting ring towards the engine side.

6.1 Clutch lever



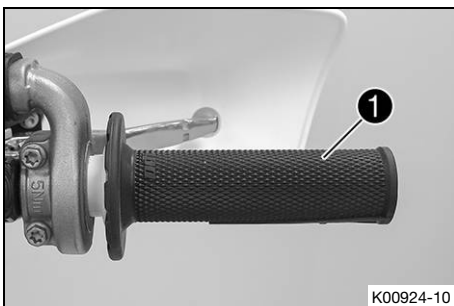
Clutch lever **1** is fitted on the handlebar on the left. The clutch is activated hydraulically and adjusts itself automatically.

6.2 Hand brake lever



Hand brake lever **1** is fitted on the right side of the handlebar. The front brake is engaged using the hand brake lever.

6.3 Throttle grip



The throttle grip **1** is fitted on the right side of the handlebar.

6.4 Kill switch (All EU models)

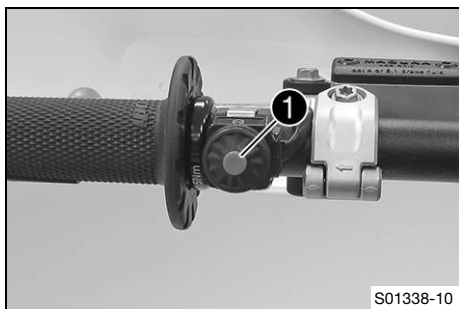


The kill switch **1** is fitted on the left side of the handlebar.

Possible states

- Kill switch ☒ in the basic position – In this position, the ignition circuit is closed and the engine can be started.
- Kill switch ☒ is pressed – In this position, the ignition circuit is interrupted, a running engine stops, and a non-running engine will not start.

6.5 Kill switch (TE 250i US)



The kill switch **1** is fitted on the left side of the handlebar.

Possible states

- Kill switch ☒ in basic position – In this position, the ignition circuit is closed and the engine can be started.
- Kill switch ☒ is pressed – In this position, the ignition circuit is interrupted, a running engine stops, and a non-running engine will not start.

6.6 Horn button (All EU models)



The horn button **1** is fitted on the left side of the handlebar.

Possible states

- Horn button ☒ in neutral position
- Horn button ☒ pressed – The horn is operated in this position.

6.7 Light switch (All EU models)



Light switch **1** is fitted on the left side of the handlebar.

Possible states

	Low beam on – Light switch is in the central position. In this position, the low beam and tail light are switched on.
	High beam on – Light switch is turned to the left. In this position, the high beam and tail light are switched on.

6.8 Light switch (TE 250i US)

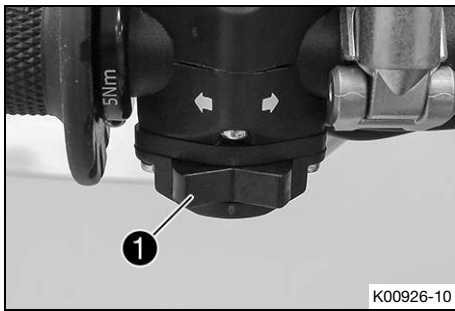


The light switch **1** is located to the left of the combination instrument.

Possible states

- Light off – Light switch is pressed in up to the stop. In this position, the light is switched off.
- Light on – Light switch is pulled out to the stop. In this position, the low beam and tail light are switched on.

6.9 Turn signal switch (All EU models)

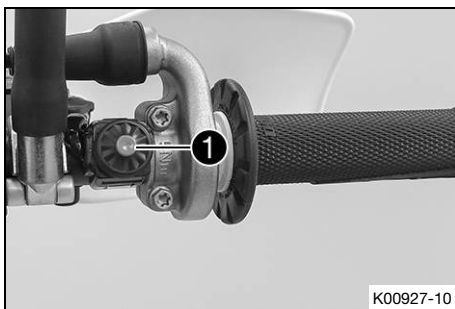


The turn signal switch ❶ is fitted on the left side of the handlebar.

Possible states

	Turn signal light off – The turn signal switch is in the central position.
←	Left turn signal on – The turn signal switch is turned to the left.
→	Right turn signal on – The turn signal switch is turned to the right.

6.10 Electric starter button

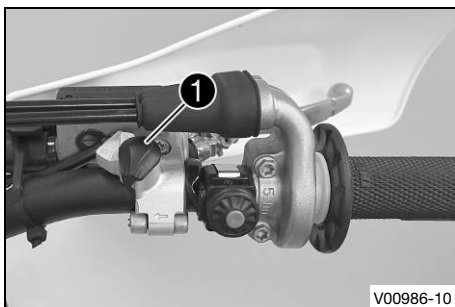


The electric starter button ❶ is fitted on the right side of the handlebar.

Possible states

- Electric starter button ❸ in basic position
- Electric starter button ❸ is pressed – In this position, the electric starter is actuated.

6.11 Map switch



The map switch ❶ is fitted on the right side of the handlebar.

Possible states

- Map switch in position I – The ignition timing map **Performance** is active in this position.
- Map switch in position II – The ignition timing map **Soft** is active in this position.

The engine characteristic can be altered with the map switch.



Info



The map switch has no function in the homologated (restricted) condition of the motorcycle.

6.12 Indicator lamps overview (All EU models)



Possible states





	Turn signal indicator lamp flashes green – The turn signal is switched on.
	The high beam indicator lamp lights up blue – The high beam is switched on.
	Malfunction indicator lamp lights up/flashes yellow – The <u>OBD</u> has detected an error in the vehicle electronics. Come safely to a halt, and contact an authorized Husqvarna Motorcycles workshop.

	The fuel level warning lamp lights up yellow – The fuel level has reached the reserve mark.
	The oil level warning lamp lights up red – Oil level has reached the MIN marking. Ride for no more than until the remaining fuel in the tank is depleted and at the next opportunity refuel with 2-stroke oil.

6.13 Indicator lamps overview (TE 250i US)



Possible states

	High beam indicator lamp – inoperative
	Malfunction indicator lamp lights up/flashes yellow – The <u>OBD</u> has detected an error in the vehicle electronics. Come safely to a halt, and contact an authorized Husqvarna Motorcycles workshop.
	The fuel level warning lamp lights up yellow – The fuel level has reached the reserve mark.
	The oil level warning lamp lights up red – Oil level has reached the MIN marking. Ride for no more than until the remaining fuel in the tank is depleted and at the next opportunity refuel with 2-stroke oil.

6.14 Opening the filler cap



Danger

Fire hazard Fuel is highly flammable.

The fuel in the fuel tank expands when warm and can escape if overfilled.

- Do not refuel the vehicle in the vicinity of open flames or lit cigarettes.
- Switch off the engine for refueling.
- Make sure that no fuel is spilled; particularly not on hot parts of the vehicle.
- If any fuel is spilled, wipe it off immediately.
- Observe the specifications for refueling.



Warning

Danger of poisoning Fuel is poisonous and a health hazard.

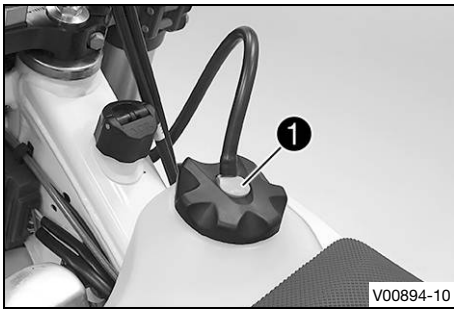
- Avoid skin, eye and clothing contact with fuel.
- Immediately consult a doctor if you swallow fuel.
- Do not inhale fuel vapors.
- In case of skin contact, rinse the affected area with plenty of water.
- Rinse the eyes thoroughly with water, and consult a doctor in case of fuel contact with the eyes.
- Change your clothing in case of fuel spills on them.
- Keep fuels correctly in a suitable canister, and out of the reach of children.



Warning

Environmental hazard Improper handling of fuel is a danger to the environment.

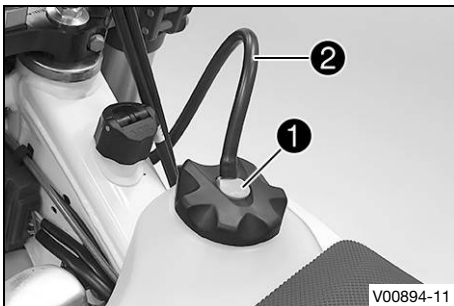
- Do not allow fuel to enter the groundwater, the soil, or the sewage system.



- Press release button **1**, turn the filler cap counterclockwise, and lift it free.



6.15 Closing the filler cap



- Replace the filler cap and turn clockwise until release button **1** locks in place.

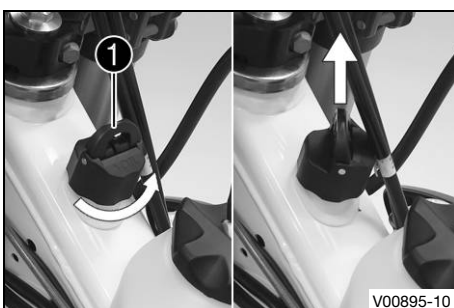


Info

Route fuel tank breather hose **2** without kinks.



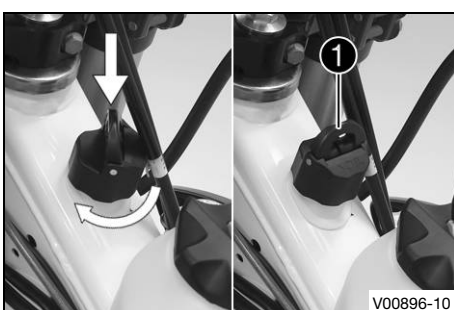
6.16 Opening 2-stroke oil tank cap



- Fold loop **1** upward.
- Turn the 2-stroke oil tank cap counterclockwise and pull it up.



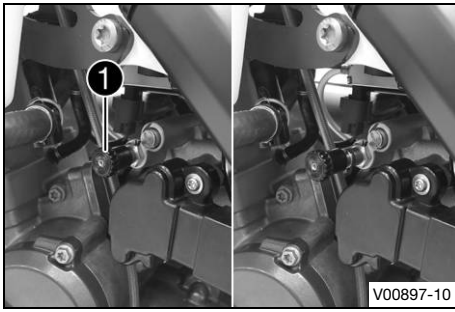
6.17 Closing 2-stroke oil tank cap



- Put the 2-stroke oil tank cap on and turn it clockwise.
- Fold loop **1** down.
- ✓ The 2-stroke oil tank cap engages.



6.18 Cold start button



The cold start button **1** is fitted on the side of the throttle valve body.

The injection system extends the injection time if the engine is cold and the outside temperature is low. To help the engine burn the increased amount of fuel, it must be supplied with additional oxygen by pulling the cold start button.

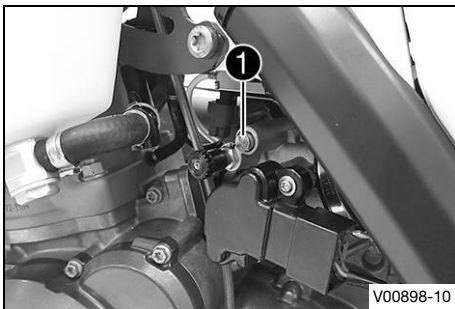
i Info

If the engine is warm, the cold start button must be deactivated.

Possible states

- The cold start button is activated – The cold start button is pulled out all the way and turned by a ¼ turn.
- The cold start button is deactivated – A further ¼ turn returns the cold start button back to the basic position.

6.19 Idle speed adjusting screw



The idle setting of the throttle valve body has a big influence on the vehicle's starting behavior, on stable idling, and on vehicle response when the throttle is opened.

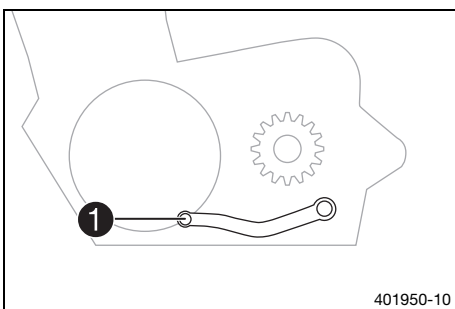
An engine with a correctly set idle speed is easier to start than an engine with the idle speed set incorrectly.

The idle speed is adjusted using the idle speed adjusting screw **1**.

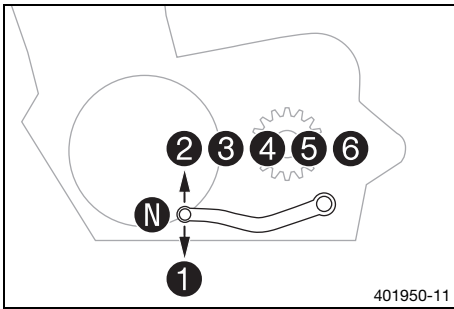
Decrease the idle speed by turning the idle speed adjusting screw clockwise.

Increase the idle speed by turning the idle speed adjusting screw counterclockwise.

6.20 Shift lever

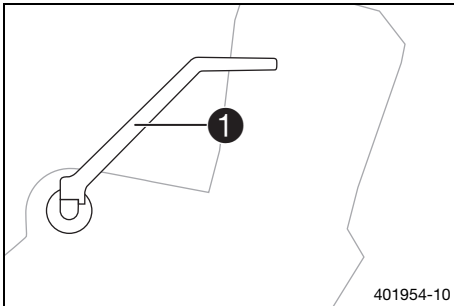


Shift lever **1** is mounted on the left side of the engine.



The gear positions can be seen in the photograph.
The neutral or idle position is between the first and second gears.

6.21 Kick starter

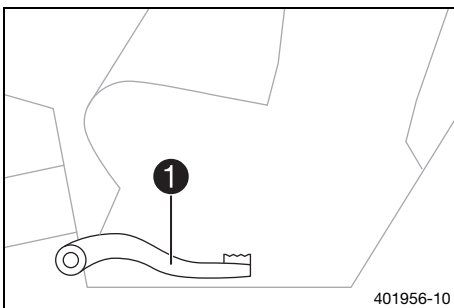


Kick starter ① is fitted on the right side of the engine.
The top part of the kick starter pivots.

i Info

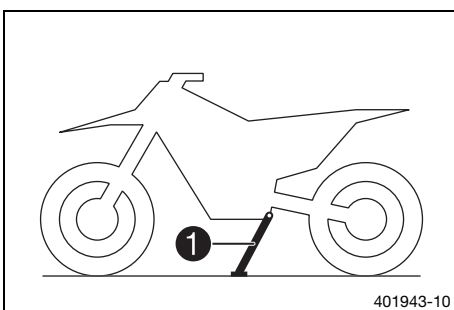
Before riding, swing the top part of the kick starter inward toward the engine.

6.22 Foot brake lever

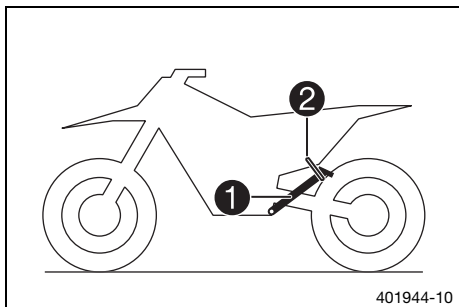


The foot brake lever ① is located in front of the right footrest.
The foot brake lever is used to activate the rear brake.

6.23 Side stand



The side stand ① is on the left side of the vehicle.

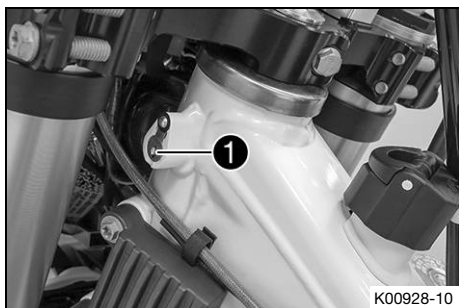


The side stand is used to park the motorcycle.

i Info

When you are riding, side stand **1** must be folded up and secured with rubber band **2**.

6.24 Steering lock (All EU models)



The steering lock **1** is fitted on the left side of the steering head.

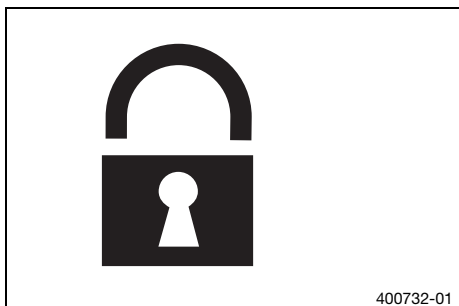
The steering lock is used to lock the steering. Steering, and therefore riding, is no longer possible.

6.25 Locking the steering (All EU models)

Note

Danger of damage The parked vehicle can roll away or fall over.

- Park the vehicle on a firm and level surface.

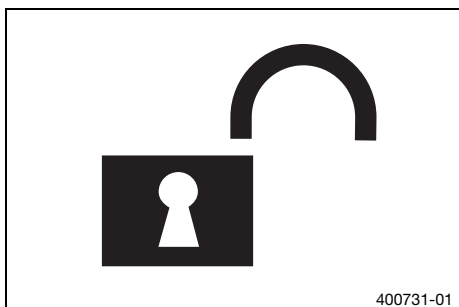


- Park the vehicle.
- Turn the handlebar as far as possible to the right.
- Insert the key in the steering lock, turn it to the left, press it in, and turn it to the right. Remove the key.
- ✓ Steering is no longer possible.

i Info

Never leave the key in the steering lock.

6.26 Unlocking the steering (All EU models)

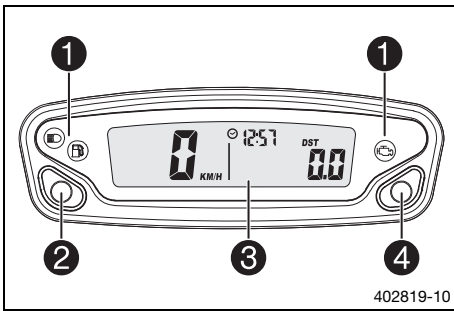


- Insert the key in the steering lock, turn it to the left, pull it out, and turn it to the right. Remove the key.
- ✓ You can now steer the bike again.

i Info

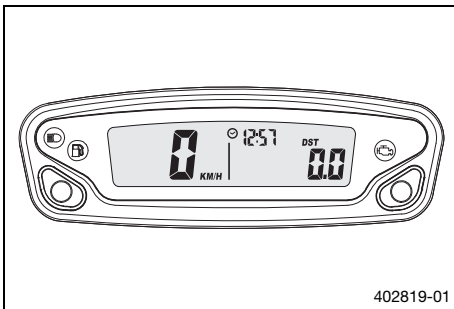
Never leave the key in the steering lock.

7.1 Overview



- ① Indicator lamps overview (📖 p. 19) **(All EU models)**
- ① Indicator lamps overview (📖 p. 20) **(TE 250i US)**
- ② Left button
- ③ Display
- ④ Right button

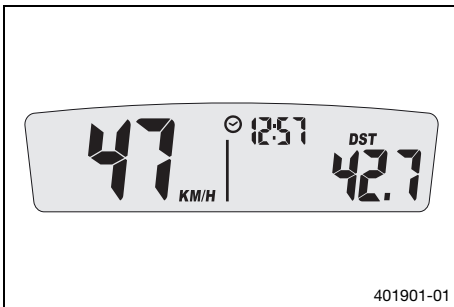
7.2 Activation



Activating combination instrument

The combination instrument is activated when one of the buttons is pressed or an impulse comes from the wheel speed sensor.

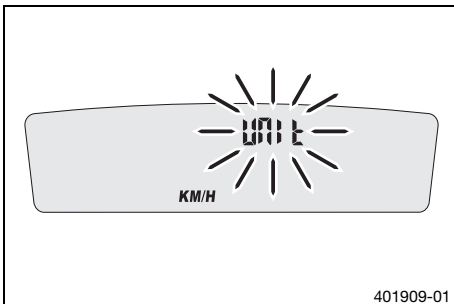
7.3 Messages on the combination instrument



Possible states

	Battery voltage of the combination instrument – The battery voltage of the combination instrument is too low. Change the battery.
	Service – A service is due. Contact an authorized Husqvarna Motorcycles workshop.

7.4 Adjusting the combination instrument

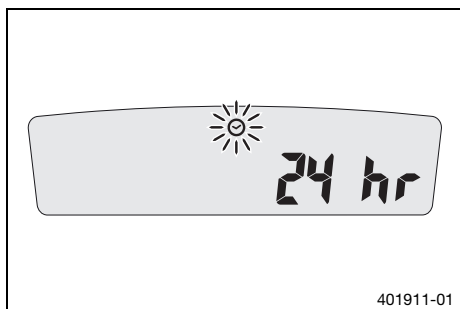


Condition

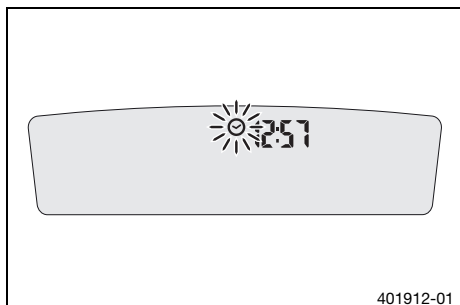
The motorcycle is stationary.

- Press both buttons for 3–5 seconds.
 - ✓ The Setup menu is displayed. The **UNIT** display flashes.
- Press one of the buttons to select **UNIT** for the speed in kilometers **KM/H** or miles **M/H**.

7 COMBINATION INSTRUMENT



- Wait for 5 seconds.
 - ✓ The combination instrument changes to the next menu item. The ☀ symbol flashes.
- Press one of the buttons to select the 24h or 12h display of the clock.



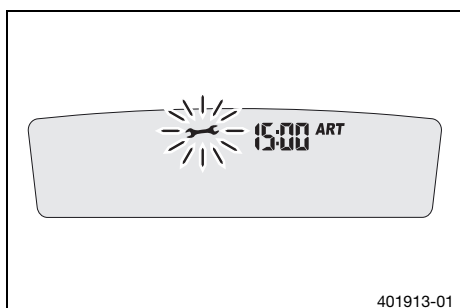
- Wait for 5 seconds.
 - ✓ The combination instrument changes to the next menu item. The ☀ symbol flashes.

Resetting the time

- Press the left button.
 - ✓ The value decreases.

Advancing the time

- Press the right button.
 - ✓ The value increases.



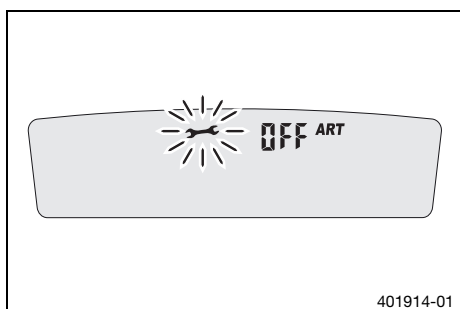
- Wait for 5 seconds.
 - ✓ The combination instrument changes to the next menu item. The ⚙ symbol flashes.
- Set the service.

Shortening the service interval

- Press the left button.
 - ✓ The value decreases.

Extending the service interval

- Press the right button.
 - ✓ The value increases.



Switching off the service interval display

- Press and hold the left button.
 - ✓ **off** appears on the display.

7.5 Setting the kilometers or miles

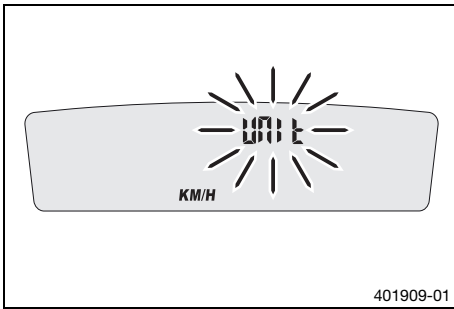


Info

If the unit is changed, the value **ODO** is retained and converted accordingly.

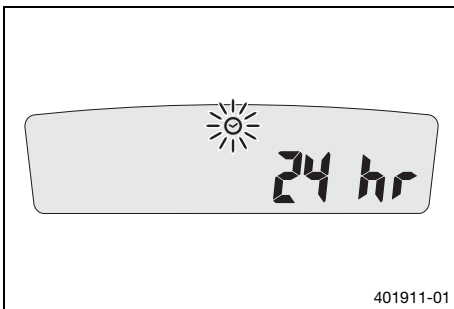
Condition

The motorcycle is stationary.



- Press both buttons for 3–5 seconds.
 - ✓ The Setup menu is displayed. The **UNIT** display flashes.
- Press one of the buttons to select **UNIT** for the speed in kilometers **KM/H** or miles **M/H**.

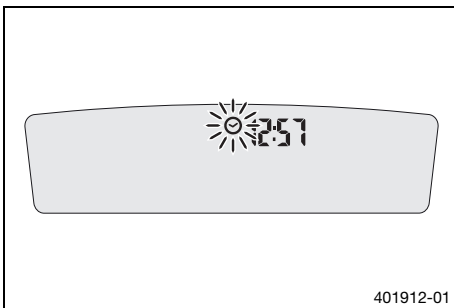
7.6 Setting the clock



Condition

The motorcycle is stationary.

- Press both buttons for 3–5 seconds.
 - ✓ The Setup menu is displayed. The **UNIT** display flashes.
- Wait for the menu of the clock ⌚ to flash.
- Press one of the buttons to select the 24h or 12h display of the clock.



- Wait for 5 seconds.
 - ✓ The combination instrument changes to the next menu item. The ⌚ symbol flashes.

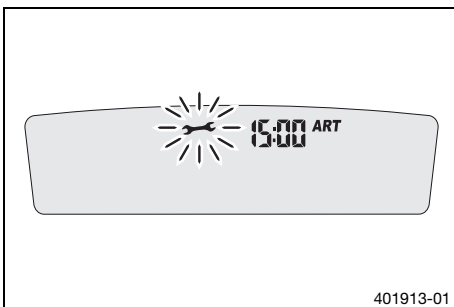
Resetting the time

- Press the left button.
 - ✓ The value decreases.

Advancing the time

- Press the right button.
 - ✓ The value increases.

7.7 Setting the service display



Condition

The motorcycle is stationary.

- Press both buttons for 3–5 seconds.
 - ✓ The Setup menu is displayed. The **UNIT** display flashes.
- Wait for the menu of the service display 🛠️ to flash.
- Set the service.

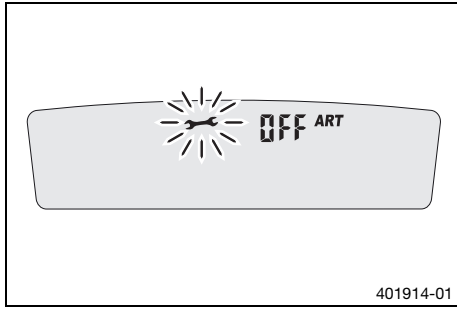
Shortening the service interval

- Press the left button.
 - ✓ The value decreases.

Extending the service interval

- Press the right button.
 - ✓ The value increases.

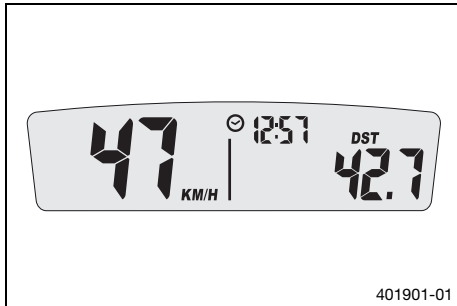
7 COMBINATION INSTRUMENT



Switching off the service interval display

- Press and hold the left button.
- ✓ **off** appears on the display.

7.8 Speed, time, and DST distance 1



- Press one of the buttons until **DST** appears on the combination instrument.

KM/H or **M/H** shows the speed.

☉ shows the time.

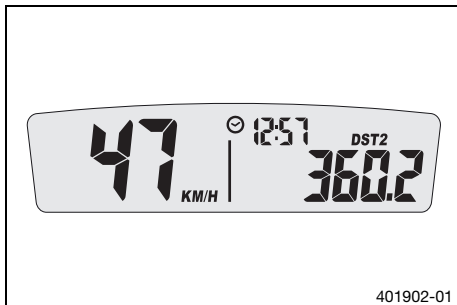
DST shows the distance since the last reset, such as between two refueling stops.

i Info

If the value of 39999.9 is exceeded, **DST** is automatically reset to 0.0.

Press the left button briefly.	Next display mode
Press the left button for 3 – 5 seconds.	DST can be preset to a value between 0.0 and 39999.9 by pressing the buttons.
Press the right button briefly.	Next display mode
Press the right button for 3 – 5 seconds.	DST is reset to 0.0.

7.9 Speed, time, and DST2 distance 2



- Press one of the buttons until **DST2** appears on the combination instrument.

KM/H or **M/H** shows the speed.

☉ shows the time.

DST2 shows the distance 2 since the last reset, such as between two refueling stops.

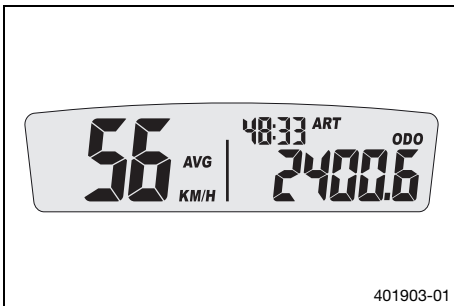
i Info

If the value of 39999.9 is exceeded, **DST2** is automatically reset to 0.0.

Press the left button briefly.	Next display mode
--------------------------------	-------------------

Press the left button for 3 – 5 seconds.	DST2 can be preset to a value between 0.0 and 39999.9 by pressing the buttons.
Press the right button briefly.	Next display mode
Press the right button for 3 – 5 seconds.	DST2 is reset to 0.0.

7.10 AVG average speed, ART operating hours, and ODO total distance covered



- Press one of the buttons until **AVG**, **ART** and **ODO** appear on the combination instrument.

AVG shows the average speed since the last reset.

ART shows the operating hours.

ODO shows the total distance covered.

Press the left button briefly.	Next display mode
Press the left button for 3 – 5 seconds.	The OPEN END WRENCH SYMBOL shows the remaining operating hours until the next service is due.
Press the right button briefly.	Next display mode
Press the right button for 3 – 5 seconds.	AVG is reset to 0.0.

8.1 Advice on first use



Danger

Danger of accidents A rider who is not fit to ride poses a danger to him or herself and others.

- Do not operate the vehicle if you are not fit to ride due to alcohol, drugs or medication.
- Do not operate the vehicle if you are physically or mentally impaired.



Warning

Risk of injury Missing or poor protective clothing presents an increased safety risk.

- Wear appropriate protective clothing such as helmet, boots, gloves as well as trousers and a jacket with protectors on all rides.
- Always wear protective clothing that is in good condition and meets the legal regulations.



Warning

Danger of crashing Different tire tread patterns on the front and rear wheel impair the handling characteristic.

Different tire tread patterns can make the vehicle significantly more difficult to control.

- Make sure that only tires with a similar tire tread pattern are fitted to the front and rear wheel.



Warning

Danger of accidents An unadapted riding style impairs the handling characteristic.

- Adapt your riding speed to the road conditions and your riding ability.



Warning

Danger of accidents The vehicle is not designed to carry passengers.

- Do not ride with a passenger.



Warning

Danger of accidents The brake system fails in the event of overheating.

If the foot brake lever is not released, the brake linings drag continuously.

- Take your foot off the foot brake lever when you are not braking.



Warning

Danger of accidents Total weight and axle loads influence the handling characteristic.

- Do not exceed the maximum permissible overall weight or the axle loads.



Warning

Risk of misappropriation People who act without authorization endanger themselves and others.

- Do not leave the vehicle unattended if the engine is running.
- Protect the vehicle against access by unauthorized persons.



Info

When using your motorcycle, remember that others may feel disturbed by excessive noise.

- Make sure that the pre-delivery inspection work has been carried out by an authorized Husqvarna Motorcycles workshop.
 - ✓ You receive a delivery certificate and the Service and Warranty Booklet at vehicle handover.
- Before your first trip, read the entire Owner's Manual carefully.
- Get to know the controls.
- Adjust the basic position of the clutch lever. (📖 p. 85)

- Adjust the basic position of the hand brake lever. (📖 p. 89)
- Adjust the basic position of the foot brake lever. 🏹 (📖 p. 94)
- Adjust the basic position of the shift lever. 🏹 (📖 p. 129)
- Get used to handling the motorcycle on a suitable surface before undertaking a more challenging trip.



Info

When off road, it is recommended that you are accompanied by another person on another vehicle so that you can help each other.

- Try also to ride as slowly as possible and in a standing position to get a better feeling for the motorcycle.
- Do not make any off-road trips that exceed your ability and experience.
- Hold the handlebar firmly with both hands and keep your feet on the footrests when riding.
- If you carry luggage, make sure you secure it firmly as close as possible to the center of the vehicle and ensure even weight distribution between the front and rear wheels.



Info

Motorcycles react sensitively to any changes of weight distribution.

- The maximum permissible overall weight and the maximum permissible axle loads must not be exceeded.
Guideline

Maximum permissible overall weight	335 kg (739 lb.)
Maximum permissible front axle load	145 kg (320 lb.)
Maximum permissible rear axle load	190 kg (419 lb.)

- Check the spoke tension. (📖 p. 106)



Info

The spoke tension must be checked after half an hour of operation.

- Run the engine in. (📖 p. 31)



8.2 Running in the engine

- During the running-in phase, do not exceed the specified engine performance.

Guideline

Maximum engine performance	
During the first 3 operating hours	< 70 %
During the first 5 operating hours	< 100 %

- Avoid fully opening the throttle!
- Check the idle speed regularly.

Guideline

Idle speed	1,400 ... 1,500 rpm
------------	---------------------



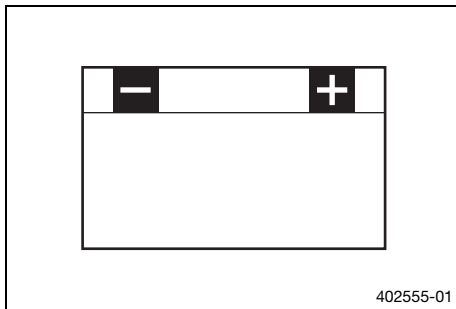
Info

The idle speed may change during the run-in time.

- » If the idle speed changes:
 - Adjust the idle speed. 🏹 (📖 p. 126)



8.3 Starting power of lithium-ion batteries at low temperatures



Lithium-ion batteries are far lighter than lead batteries, have a low self-discharge rate, and have more starting power at temperatures over 15 °C (60 °F). At low temperatures, however, the starting power of lithium-ion batteries drops to below that of lead batteries.

Multiple starting attempts may be needed. Press the electric starter button for 5 seconds, and wait 30 seconds between attempts. The pauses are necessary so that the created heat can distribute through the lithium-ion battery and the battery is not damaged.

If the charged lithium-ion battery does not or only weakly turns over the electric starter when temperatures are below 15 °C (60 °F), then the battery is not faulty, but needs to be warmed up internally to increase its starting power (current output).

The starting power increases as the battery warms up.

8.4 Preparing the vehicle for difficult riding conditions

i Info

Use of the vehicle under difficult conditions, such as on sand or on wet and muddy surfaces, can lead to considerably more rapid wear of components such as the drive train, brake system, or suspension components. For this reason, it may be necessary to inspect or replace parts before the next scheduled service.

- Seal the air filter box. 📖 (p. 72)
- Clean the air filter and air filter box. 📖 (p. 71)

i Info

Check the air filter approx. every 30 minutes.

- Check the electrical connector for humidity and corrosion and to ensure it is firmly seated.
 - » If humidity, corrosion, or damage is found:
 - Clean and dry the connector, or change it if necessary.

Difficult riding conditions are:

- Rides on dry sand. 📖 (p. 33)
- Rides on wet sand. 📖 (p. 34)
- Rides on wet and muddy circuits. 📖 (p. 35)
- Rides at high temperatures or slow riding. 📖 (p. 35)
- Riding at low temperatures and in snow. 📖 (p. 36)

8.5 Preparing vehicle for rides on dry sand



- Check the radiator cap.

Value on the radiator cap	1.8 bar (26 psi)
---------------------------	------------------

- » If the indicated value does not correspond to the setpoint value:



Warning

Danger of scalding During motorcycle operation, the coolant gets very hot and is under pressure.

- Do not open the radiator, the radiator hoses or other cooling system components if the engine or the cooling system are at operating temperature.
- Allow the cooling system and the engine to cool down before you open the radiator, the radiator hoses or other components of the cooling system.
- In the event of scalding, rinse the area affected immediately with lukewarm water.

- Change the radiator cap.



- Mount a dust cover on the air filter.

Dust cover for air filter (79006920000)



Info

Observe the fitting instructions for Husqvarna Motorcycles accessories.



- Mount a sand cover on the air filter.

Sand cover for air filter (79006922000)



Info

Observe the fitting instructions for Husqvarna Motorcycles accessories.

8 PREPARING FOR USE



- Clean the chain.
- Mount the steel sprocket.
- Grease the chain.

Universal oil spray (📖 p. 154)

- Clean the radiator fins.
- Straighten bent radiator fins carefully.

Condition

Regular use in sand

- Change the piston every 10 operating hours.

8.6 Preparing vehicle for rides on wet sand



- Check the radiator cap.

Value on the radiator cap	1.8 bar (26 psi)
---------------------------	------------------

- » If the indicated value does not correspond to the setpoint value:



Warning

Danger of scalding During motorcycle operation, the coolant gets very hot and is under pressure.

- Do not open the radiator, the radiator hoses or other cooling system components if the engine or the cooling system are at operating temperature.
- Allow the cooling system and the engine to cool down before you open the radiator, the radiator hoses or other components of the cooling system.
- In the event of scalding, rinse the area affected immediately with lukewarm water.

- Change the radiator cap.

- Fit a rain cover on the air filter.

Waterproofing device for air filter (79006921000)



Info

Observe the fitting instructions for Husqvarna Motorcycles accessories.





- Clean the chain.
- Mount the steel sprocket.
- Grease the chain.

Universal oil spray (📖 p. 154)

- Clean the radiator fins.
- Straighten bent radiator fins carefully.

Condition

Regular use in sand

- Change the piston every 10 operating hours.

8.7 Preparing vehicle for rides on wet and muddy circuits



- Fit a rain cover on the air filter.

Waterproofing device for air filter (79006921000)



Info

Observe the fitting instructions for Husqvarna Motorcycles accessories.



- Mount the steel sprocket.
- Clean the motorcycle. (📖 p. 137)
- Straighten bent radiator fins carefully.

8.8 Preparing vehicle for high temperatures or slow riding



- Check the radiator cap.

Value on the radiator cap	1.8 bar (26 psi)
---------------------------	------------------

- » If the indicated value does not correspond to the setpoint value:



Warning

Danger of scalding During motorcycle operation, the coolant gets very hot and is under pressure.

- Do not open the radiator, the radiator hoses or other cooling system components if the engine or the cooling system are at operating temperature.
- Allow the cooling system and the engine to cool down before you open the radiator, the radiator hoses or other components of the cooling system.
- In the event of scalding, rinse the area affected immediately with lukewarm water.



- Change the radiator cap.
- Adjust the secondary drive to the road conditions.



Info

The transmission oil heats up quickly when the clutch is operated frequently due to an excessively high secondary drive.

- Clean the chain.
- Clean the radiator fins.
- Straighten bent radiator fins carefully.
- Check the coolant level. (📖 p. 120)

8.9 Preparing vehicle for low temperatures or snow



- Fit a rain cover on the air filter.

Waterproofing device for air filter (79006921000)



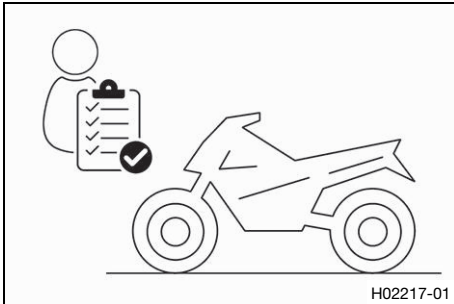
Info

Observe the fitting instructions for Husqvarna Motorcycles accessories.

9.1 Checks and maintenance measures when preparing for use

i Info

Before every trip, check the condition of the vehicle and ensure that it is safe to operate. The vehicle must be in perfect technical condition when it is being operated.



- Check the gear oil level. (📖 p. 133)
- Check the electrical system.
- Check the front brake fluid level. (📖 p. 90)
- Check the rear brake fluid level. (📖 p. 95)
- Check the front brake linings. (📖 p. 91)
- Check the brake linings of the rear brake. (📖 p. 97)
- Check that the brake system is functioning properly.
- Check the coolant level. (📖 p. 120)
- Check the chain for dirt. (📖 p. 78)
- Check the chain, rear sprocket, engine sprocket, and chain guide. (📖 p. 81)
- Check the chain tension. (📖 p. 79)
- Check the tire condition. (📖 p. 105)
- Check the tire air pressure. (📖 p. 105)
- Check the spoke tension. (📖 p. 106)

i Info

The spoke tension must be checked regularly as incorrect spoke tension will strongly impair riding safety.

- Clean the dust boots of the fork legs. (📖 p. 57)
- Bleed the fork legs. (📖 p. 56)
- Check the air filter.
- Check the settings of all controls and ensure that they can be operated smoothly.
- Check all screws, nuts, and hose clamps regularly for tightness.
- Check the fuel level.
- Check 2-stroke oil level. (📖 p. 131)

9.2 Starting the vehicle



Danger

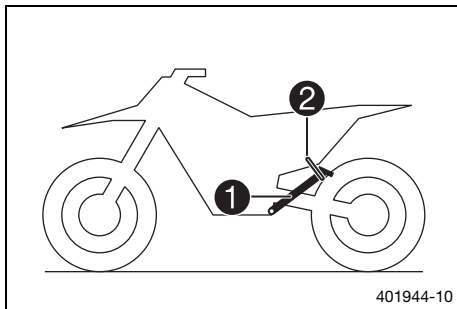
Danger of poisoning Exhaust gases are toxic and inhaling them may result in unconsciousness and death.

- Always make sure there is sufficient ventilation when running the engine.
- Use an effective exhaust extraction system when starting or running the engine in an enclosed space.

Note

Engine damage High revving speed with a cold engine negatively impacts the lifespan of the engine.

- Always run the engine warm at a low speed.



- Take the motorcycle off side stand **1** and secure the side stand with rubber band **2**.
- Shift gear to neutral.

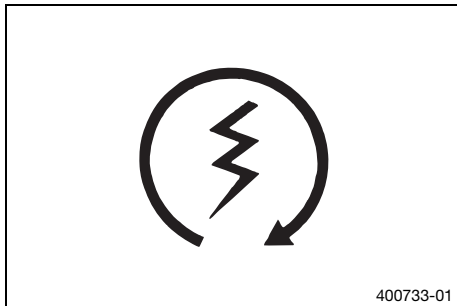
Condition

Ambient temperature: < 20 °C (< 68 °F)

- Pull the cold start button fully out and turn it by a ¼ turn.

Info

If the engine is warm, the cold start button must be deactivated.



- Press the electric starter button or push the kick starter robustly through its full range.

Info

Do not open the throttle.

Press the electric starter button for a maximum of 5 seconds. Wait for 30 seconds before a further attempt at starting.

At temperatures below 15 °C (60 °F), several attempts at starting may be necessary to warm-up the lithium-ion battery and thereby increase the starting power. During the starting process, the malfunction indicator lamp lights up.

9.3 Starting off

Info

Switch on the light before riding. This will make it easier for other road users to see you. When you are riding, the side stand must be folded up and secured with the rubber band.

- Pull the clutch lever, engage 1st gear, release the clutch lever slowly, and simultaneously open the throttle carefully.

9.4 Shifting, riding



Warning

Danger of accidents If you change down at high engine speed, the rear wheel blocks and the engine races.

- Do not change into a low gear at high engine speed.



Warning

Engine failure The engine will not be lubricated unless there is 2-stroke oil in the oil tank.

If the oil level warning light lights up, the 2-stroke oil is sufficient for the remaining tank of fuel.

- As soon as the oil level warning light lights up, ride for no longer than until the remaining fuel in the tank is depleted.
- At the next opportunity add 2-stroke oil before you refuel.
- Time the oil pump if the 2-stroke oil hose has been removed or the 2-stroke oil tank has been fully depleted in error.



Info

If you hear unusual noises while riding, stop immediately, switch off the engine, and contact an authorized Husqvarna Motorcycles workshop.

First gear is used for starting off and for steep inclines.

- Shift into a higher gear when conditions allow (incline, road situation, etc.). To do so, release the throttle while simultaneously pulling the clutch lever, shift into the next gear, release the clutch lever and open the throttle.
- If the cold start function was activated, deactivate the cold start button after the engine has warmed up.
- After reaching maximum speed by fully opening the throttle grip, turn the throttle back so it is $\frac{3}{4}$ open. This will barely reduce the speed but fuel consumption will be considerably lower.
- Always open the throttle only as much as the engine can handle – abrupt throttle opening increases fuel consumption.
- To shift down, apply the brakes and close the throttle at the same time.
- Pull the clutch lever and shift into a lower gear, release the clutch lever slowly, and either open the throttle or shift again.
- Switch off the engine if running at idle or stationary for a long time.

Guideline

≥ 2 min

- Avoid frequent and longer slipping of the clutch. As a result the gear oil, engine and cooling system heat up.
- Ride at a low engine speed instead of at a high engine speed with a slipping clutch.



9.5 Braking



Warning

Danger of accidents Excessively forceful application of the brakes blocks the wheels.

- Adjust application of the brakes to the respective riding situation and riding surface conditions.



Warning

Danger of accidents A spongy pressure point on the front or rear brake reduces braking efficiency.

- Check the brake system and do not continue riding until the problem is eliminated. (Your authorized Husqvarna Motorcycles workshop will be glad to help.)



Warning

Danger of accidents Moisture and dirt impair the brake system.

- Brake carefully several times to dry out and remove dirt from the brake linings and the brake discs.

- On sandy, wet, or slippery surfaces, use the rear brake.

- Braking should always be completed before you go into a bend. Change down to a lower gear appropriate to your road speed.

9.6 Stopping, parking



Warning

Risk of misappropriation People who act without authorization endanger themselves and others.

- Do not leave the vehicle unattended if the engine is running.
- Protect the vehicle against access by unauthorized persons.



Warning

Danger of burns Some vehicle components become very hot when the vehicle is operated.

- Do not touch any parts such as the exhaust system, radiator, engine, shock absorber, or brake system before the vehicle parts have cooled down.
- Let the vehicle parts cool down before you perform any work on the vehicle.

Note

Material damage The vehicle may be damaged by incorrect procedure when parking.

Significant damage may be caused if the vehicle rolls away or falls over.

The components for parking the vehicle are designed only for the weight of the vehicle.

- Park the vehicle on a firm and level surface.
- Ensure that nobody sits on the vehicle when the vehicle is parked on a stand.


Note

Fire hazard Hot vehicle components pose a fire hazard and explosion risk.


- Do not park the vehicle near to materials which are highly flammable or explosive.
- Allow the vehicle to cool down before covering it.

- Apply the brakes on the motorcycle.
- Shift gear to neutral.

(All EU models)

- Press and hold the kill switch  while the engine is idling until the engine stops.

(TE 250i US)

- Press and hold the kill switch  while the engine is idling until the engine stops.
- Park the motorcycle on firm ground.

9.7 Transporting

Note

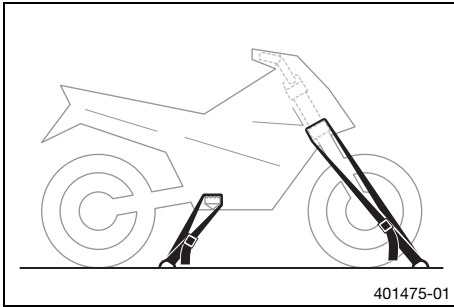
Danger of damage The parked vehicle can roll away or fall over.

- Park the vehicle on a firm and level surface.

Note

Fire hazard Hot vehicle components pose a fire hazard and explosion risk.

- Do not park the vehicle near to materials which are highly flammable or explosive.
- Allow the vehicle to cool down before covering it.



- Switch off the engine.
- Use tension belts or other suitable devices to secure the motorcycle against falling over or rolling away.

9.8 Refueling



Danger

Fire hazard Fuel is highly flammable.

The fuel in the fuel tank expands when warm and can escape if overfilled.

- Do not refuel the vehicle in the vicinity of open flames or lit cigarettes.
- Switch off the engine for refueling.
- Make sure that no fuel is spilled; particularly not on hot parts of the vehicle.
- If any fuel is spilled, wipe it off immediately.
- Observe the specifications for refueling.



Warning

Danger of poisoning Fuel is poisonous and a health hazard.

- Avoid skin, eye and clothing contact with fuel.
- Immediately consult a doctor if you swallow fuel.
- Do not inhale fuel vapors.
- In case of skin contact, rinse the affected area with plenty of water.
- Rinse the eyes thoroughly with water, and consult a doctor in case of fuel contact with the eyes.
- Change your clothing in case of fuel spills on them.

Note

Material damage Inadequate fuel quality causes the fuel filter to quickly become clogged.

In some countries and regions, the available fuel quality and cleanliness may not be sufficient. This will result in problems with the fuel system.

- Refuel only with clean fuel that meets the specified standards. (Your authorized Husqvarna Motorcycles workshop will be glad to help.)



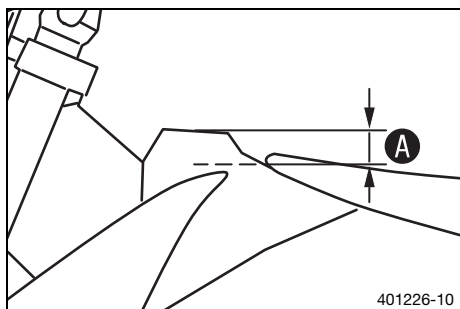
Warning

Environmental hazard Improper handling of fuel is a danger to the environment.

- Do not allow fuel to enter the groundwater, the soil, or the sewage system.

- Open the filler cap. (📖 p. 20)

9 RIDING INSTRUCTIONS



- Fill the fuel tank with fuel up to level **A**.

Guideline

Level A	35 mm (1.38 in)
----------------	-----------------

Total fuel tank capacity, approx.	9 l (2.4 US gal)	Super unleaded (ROZ 95/RON 95/PON 91) (📖 p. 153)
-----------------------------------	------------------	--------------------------------------------------



Info

Do not refuel using pre-mixed fuel.

- Close the filler cap. (📖 p. 21)

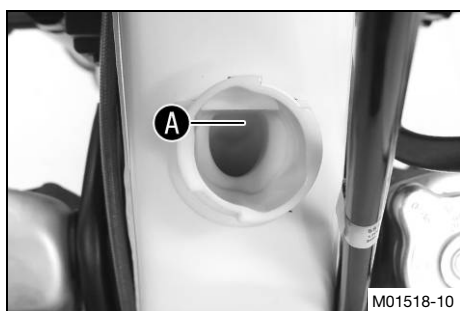
9.9 Adding 2-stroke oil



Warning

Engine failure The engine will not be lubricated unless there is 2-stroke oil in the oil tank. If the oil level warning light lights up, the 2-stroke oil is sufficient for the remaining tank of fuel.

- As soon as the oil level warning light lights up, ride for no longer than until the remaining fuel in the tank is depleted.
- At the next opportunity add 2-stroke oil before you refuel.
- Time the oil pump if the 2-stroke oil hose has been removed or the 2-stroke oil tank has been fully depleted in error.



- Open 2-stroke oil tank cap. (📖 p. 21)
- Fill the 2-stroke oil tank up to the lower edge **A** of the filler neck.

2-stroke oil tank content approx.	0.7 l (0.7 qt.)	Engine oil, 2-stroke (📖 p. 152)
-----------------------------------	-----------------	---------------------------------














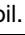

- Close 2-stroke oil tank cap. (📖 p. 21)

10.1 Additional information

Any further work that results from the required work or from the recommended work must be ordered separately and can be invoiced separately.

Different service intervals may apply in your country, depending on the local operating conditions.

10.2 Required work

	Every 10 operating hours when used for motorsports			Every 40 operating hours		
	Every 20 operating hours			Once after 5 operating hours		
	Once after 1 operating hour					
Read out the fault memory using the Husqvarna Motorcycles diagnostics tool. 	○	○	●	●	●	●
Check that the electrical system is functioning properly.	○		●	●	●	●
Check and charge the battery. 			●	●	●	●
Check the front brake linings. (📖 p. 91)			●	●	●	●
Check the brake linings of the rear brake. (📖 p. 97)			●	●	●	●
Check the brake discs. (📖 p. 89)			●	●	●	●
Check the brake lines for damage and leakage.			●	●	●	●
Check the rear brake fluid level. (📖 p. 95)			●	●	●	●
Check the free travel of the foot brake lever. (📖 p. 94)			●	●	●	●
Check the frame.  (📖 p. 83)			●	●	●	●
Check the swingarm.  (📖 p. 83)			●	●	●	●
Check the swingarm bearing for play. 			●	●		
Check the heim joint for play. 			●	●		
Check the shock absorber linkage. 			●	●		
Check the tire condition. (📖 p. 105)	○		●	●	●	●
Check the tire air pressure. (📖 p. 105)	○		●	●	●	●
Check the wheel bearing for play. 			●	●	●	●
Check the wheel hubs. 			●	●	●	●
Check the rim run-out. 	○		●	●		
Check the spoke tension. (📖 p. 106)	○		●	●	●	●
Check the chain, rear sprocket, engine sprocket, and chain guide. (📖 p. 81)			●	●	●	●
Check the chain tension. (📖 p. 79)	○		●	●	●	●
Grease all moving parts (e.g. side stand, hand lever, chain, etc.) and check for smooth operation. 			●	●	●	●
Check/correct the fluid level of the hydraulic clutch. (📖 p. 85)			●	●	●	●
Check the front brake fluid level. (📖 p. 90)			●	●	●	●
Check the free travel of the hand brake lever.			●	●	●	●
Check the play of the steering head bearing. (📖 p. 62)	○		●	●	●	●
Change the spark plug and spark plug connector. 			●			
Check the reed valve housing, reed valve, and intake flange. 			●	●		
Change the gear oil.  (📖 p. 134)		○	●			
Check all hoses (e.g. fuel, cooling, bleeder, drainage, etc.) and sleeves for cracking, leaks, and incorrect routing. 	○		●	●	●	●

10 SERVICE SCHEDULE

	Every 10 operating hours when used for motorsports	Every 40 operating hours	Every 20 operating hours	Once after 5 operating hours	Once after 1 operating hour
Check the antifreeze and coolant level. (📖 p. 119)	○	●	●	●	●
Check the cables for damage and for routing without kinks. 🛠️		●	●	●	
Check that the throttle cables are undamaged, routed without sharp bends, and set correctly.	○	●	●	●	
Clean the air filter and air filter box. 🛠️ (📖 p. 71)		●	●	●	
Change glass fiber yarn filling in the main silencer. 🛠️ (📖 p. 73)		●	●		
Service the fork. 🛠️				●	
Service the shock absorber. 🛠️				●	
Check the screws and nuts for tightness. 🛠️	○	●	●	●	
Change the fuel screen. 🛠️ (📖 p. 130)	○	●	●	●	
Check the fuel pressure. 🛠️		●	●	●	
Check the headlight setting. (📖 p. 117)	○	●	●	●	
Check idle. 🛠️		●	●	●	
Final check: Check the vehicle for operating safety and take a test ride. 🛠️	○	○	●	●	●
Read out the fault memory after the test ride using the Husqvarna Motorcycles diagnostics tool. 🛠️	○	○	●	●	●
Make the service entry in the Husqvarna Motorcycles Dealer.net and in the Service and Warranty Booklet. 🛠️	○	○	●	●	●

- One-time interval
- Periodic interval

10.3 Recommended work

	Every 40 operating hours when used for motorsports	Every 10 operating hours when used for motorsports	Annually	Every 80 operating hours	Every 40 operating hours	Once after 20 operating hours	Once after 10 operating hours
Change the front brake fluid. 🛠️			●				
Change the rear brake fluid. 🛠️			●				
Change the hydraulic clutch fluid. 🛠️ (📖 p. 86)			●				
Grease the steering head bearing. 🛠️ (📖 p. 63)			●				
Clean the pressure sensor hose. 🛠️			●	●	●		
Service the fork. 🛠️	○						
Service the shock absorber. 🛠️		○					
Check the electric starter drive. 🛠️			●				●

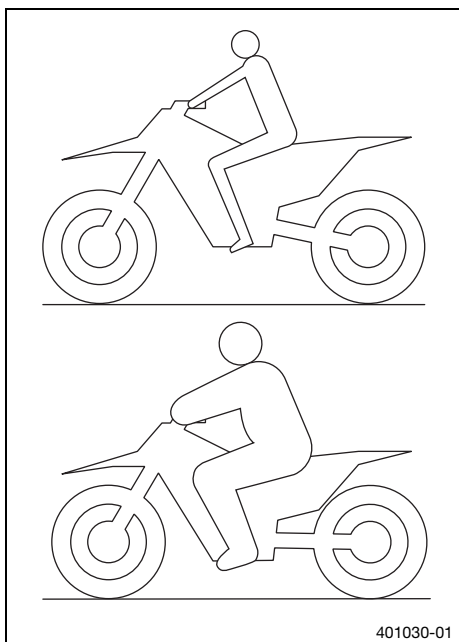
	Every 40 operating hours when used for motorsports	Every 10 operating hours when used for motorsports	Annually	Every 80 operating hours	Every 40 operating hours	Once after 20 operating hours	Once after 10 operating hours
Change the fuel filter. 🛠️			•				
Change the piston and check the cylinder. 🛠️			•				
Replace the oil pump. 🛠️			•				
Perform minor engine service. (Check the exhaust control for functioning and smooth operation. Check the clutch.) 🛠️			•	•		•	•
Perform major engine service including removing and installing engine. (Change the connecting rod, conrod bearing, and crank pin. Clean the pressure sensor cylinder connection. Check the transmission and shift mechanism. Change all engine bearings.) 🛠️			•				•

- One-time interval
- Periodic interval

11.1 Checking the basic chassis setting with the rider's weight

i Info

When adjusting the basic chassis setting, first adjust the shock absorber and then the fork.



- For optimal motorcycle riding characteristics and to avoid damage to forks, shock absorbers, swingarm, and frame, the basic settings of the suspension components must match the rider's weight.
- As delivered, Husqvarna motorcycles are adjusted for an average rider's weight (with full protective clothing).

Guideline

Standard rider weight	75 ... 85 kg (165 ... 187 lb.)
-----------------------	--------------------------------

- If the rider's weight is above or below this range, the basic setting of the suspension components must be adjusted accordingly.
- Small weight differences can be compensated by adjusting the spring preload, but in the case of large weight differences, the springs must be replaced.

11.2 Compression damping of the shock absorber

The compression damping of the shock absorber is divided into two ranges: high-speed and low-speed. High-speed and low-speed refer to the compression speed of the rear wheel suspension and not to the vehicle speed.

The high-speed setting, for example, has an effect on the landing after a jump: the rear wheel suspension compresses quickly.

The low-speed setting, for example, has an effect when riding over long ground swells: the rear wheel suspension compresses slowly.

These two ranges can be adjusted separately, although the transition between high-speed and low-speed is gradual. Thus, changes in the high-speed range affect the compression damping in the low-speed range and vice versa.

11.3 Adjusting the low-speed compression damping of the shock absorber

! Caution

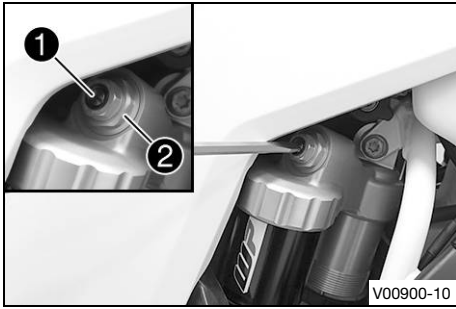
Risk of injury Parts of the shock absorber will fly off if the shock absorber is disassembled incorrectly.

The shock absorber is filled with highly compressed nitrogen.

- Please follow the description provided. (Your authorized Husqvarna Motorcycles workshop will be glad to help.)

i Info

The effect of the low-speed setting can be seen in slow to normal compression of the shock absorber.



- Turn adjusting screw ① clockwise with a screwdriver as far as the last perceptible click.

i Info
Do not loosen fitting ②!

- Turn counterclockwise by the number of clicks corresponding to the shock absorber type.

Guideline

Compression damping, low-speed	
Comfort	17 clicks
Standard	15 clicks
Sport	13 clicks

i Info
Turn clockwise to increase damping; turn counterclockwise to reduce damping.

11.4 Adjusting the high-speed compression damping of the shock absorber



Caution

Risk of injury Parts of the shock absorber will fly off if the shock absorber is disassembled incorrectly.

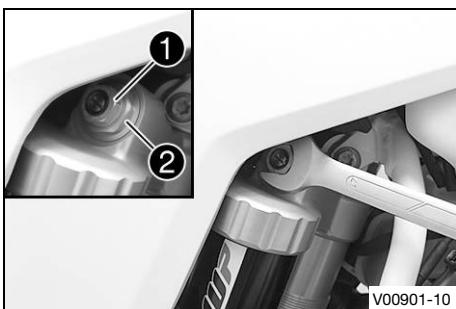
The shock absorber is filled with highly compressed nitrogen.

- Please follow the description provided. (Your authorized Husqvarna Motorcycles workshop will be glad to help.)



Info

The effect of the high-speed setting can be seen in fast compression of the shock absorber.



- Using an open end wrench, turn adjusting screw ① clockwise all the way.

i Info
Do not loosen fitting ②!

- Turn counterclockwise by the number of turns corresponding to the shock absorber type.

Guideline

Compression damping, high-speed	
Comfort	2.5 turns
Standard	2 turns
Sport	1.5 turns

i Info
Turn clockwise to increase damping; turn counterclockwise to reduce damping.

11.5 Adjusting the rebound damping of the shock absorber

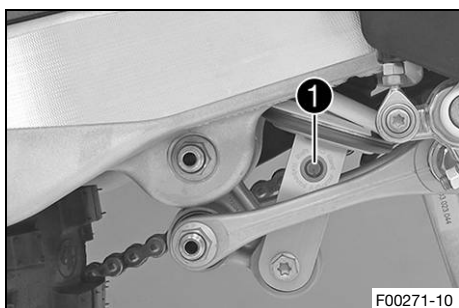


Caution

Risk of injury Parts of the shock absorber will fly off if the shock absorber is disassembled incorrectly.

The shock absorber is filled with highly compressed nitrogen.

- Please follow the description provided. (Your authorized Husqvarna Motorcycles workshop will be glad to help.)



- Turn adjusting screw ① clockwise up to the last perceptible click.
- Turn counterclockwise by the number of clicks corresponding to the shock absorber type.

Guideline

Rebound damping	
Comfort	17 clicks
Standard	15 clicks
Sport	13 clicks



Info

Turn clockwise to increase damping; turn counterclockwise to reduce damping.

11.6 Measuring the rear wheel dimension unloaded

Preparatory work

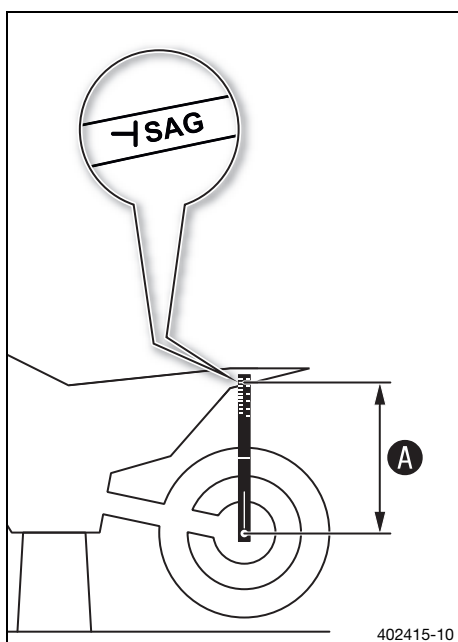
- Raise the motorcycle with a lift stand. (📖 p. 56)

Main work

- Position the sag gauge in the rear axle and measure the distance to marking **SAG** on the rear fender.

Sag gauge (00029090500)
Pin for sag gauge (00029990010)

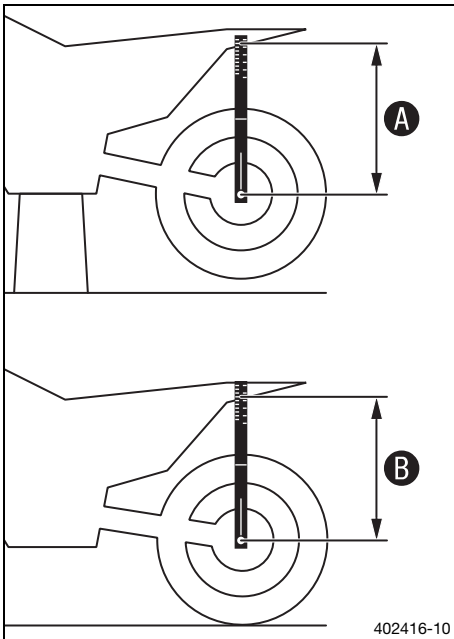
- Note down the value as dimension ①.



Finishing work

- Remove the motorcycle from the lift stand. (📖 p. 56)

11.7 Checking the static sag of the shock absorber



- Measure dimension **A** of rear wheel unloaded. (📖 p. 48)
- Hold the motorcycle upright with the aid of an assistant.
- Again measure the distance between the rear axle and marking **SAG** on the rear fender using the sag gauge.
- Note down the value as dimension **B**.

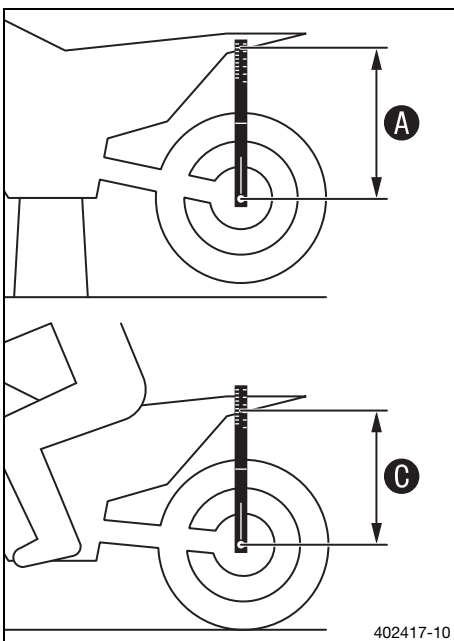
i Info
The static sag is the difference between measurements **A** and **B**.

- Check the static sag.

Static sag	35 mm (1.38 in)
------------	-----------------

- » If the static sag is less or more than the specified value:
 - Adjust the spring preload of the shock absorber. (🔧 p. 50)

11.8 Checking the riding sag of the shock absorber



- Measure dimension **A** of rear wheel unloaded. (📖 p. 48)
- With another person holding the motorcycle, the rider, wearing full protective clothing, sits on the seat in a normal sitting position (feet on footrests) and bounces up and down a few times.
 - ✓ The rear wheel suspension levels out.
- Another person again measures the distance between the rear axle and marking **SAG** on the rear fender using the sag gauge.
- Note down the value as dimension **C**.

i Info
The riding sag is the difference between measurements **A** and **C**.

- Check the riding sag.

Guideline

Riding sag	110 mm (4.33 in)
------------	------------------

- » If the riding sag differs from the specified measurement:
 - Adjust the riding sag. (🔧 p. 51)

11.9 Adjusting the spring preload of the shock absorber 🛠️



Caution

Risk of injury Parts of the shock absorber will fly off if the shock absorber is disassembled incorrectly.

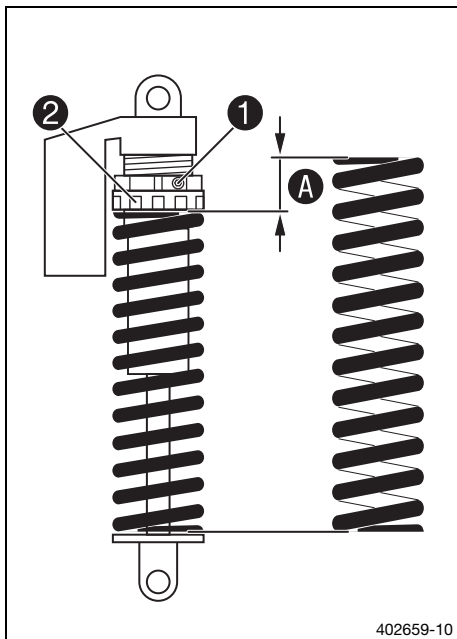
The shock absorber is filled with highly compressed nitrogen.

- Please follow the description provided. (Your authorized Husqvarna Motorcycles workshop will be glad to help.)



Info

Before changing the spring preload, make a note of the present setting, e.g., by measuring the length of the spring.



Preparatory work

- Raise the motorcycle with a lift stand. (📖 p. 56)
- Remove the shock absorber. 🛠️ (📖 p. 65)
- After removing the shock absorber, clean it thoroughly.

Main work

- Loosen screw ①.
- Turn adjusting ring ② until the spring is no longer under tension.

Holding wrench (90129051000)

- Measure the overall spring length while the spring is not under tension.
- Tighten the spring by turning adjusting ring ② to measurement A.

Guideline

Spring preload	14 mm (0.55 in)
----------------	-----------------



Info

Depending on the static sag and/or the riding sag, it may be necessary to increase or decrease the spring pretension.

- Tighten screw ①.

Guideline

Screw, shock absorber adjusting ring	M5	5 Nm (3.7 lbf ft)
--------------------------------------	----	-------------------

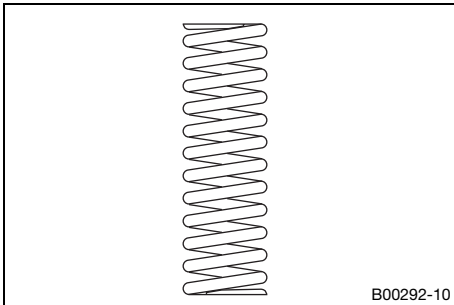
Finishing work

- Install the shock absorber. 🛠️ (📖 p. 66)
- Check the free travel of the foot brake lever. (📖 p. 94)
- Remove the motorcycle from the lift stand. (📖 p. 56)

11.10 Adjusting the riding sag

Preparatory work

- Raise the motorcycle with a lift stand. (p. 56)
- Remove the shock absorber. (p. 65)
- After removing the shock absorber, clean it thoroughly.



Main work

- Choose and mount a suitable spring.

Guideline

Spring rate	
Weight of rider: 65 ... 75 kg (143 ... 165 lb.)	45 N/mm (257 lb/in)
Weight of rider: 75 ... 85 kg (165 ... 187 lb.)	48 N/mm (274 lb/in)
Weight of rider: 85 ... 95 kg (187 ... 209 lb.)	51 N/mm (291 lb/in)



Info

The spring rate is shown on the outside of the spring.

Finishing work

- Install the shock absorber. (p. 66)
- Check the free travel of the foot brake lever. (p. 94)
- Remove the motorcycle from the lift stand. (p. 56)
- Check the static sag of the shock absorber. (p. 49)
- Check the riding sag of the shock absorber. (p. 49)
- Adjust the rebound damping of the shock absorber. (p. 48)

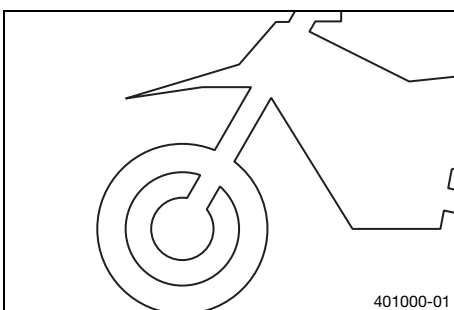


11.11 Checking the basic setting of the fork



Info

For various reasons, no exact riding sag can be determined for the fork.



- As with the shock absorber, smaller differences in the rider's weight can be compensated by the spring preload.
- However, if the fork frequently bottoms out (hard end stop on compression), harder springs must be fitted to avoid damage to the fork and frame.
- If the fork feels unusually hard after extended periods of operation, the fork legs need to be bled.



11.12 Adjusting the compression damping of the fork

i **Info**

The hydraulic compression damping determines the fork suspension behavior.



- Turn white adjusting screw **1** clockwise as far as it will go.

i **Info**

Adjusting screw **1** is located at the upper end of the left fork leg.
The compression damping is located in left fork leg **COM** (white adjusting screw). The rebound damping is located in right fork leg **REB** (red adjusting screw).

- Turn counterclockwise by the number of clicks corresponding to the fork type.

Guideline

Compression damping	
Comfort	18 clicks
Standard	15 clicks
Sport	12 clicks

i **Info**

Turn clockwise to increase damping; turn counterclockwise to reduce damping.

11.13 Adjusting the rebound damping of the fork

i **Info**

The hydraulic rebound damping determines the fork suspension behavior.



- Turn red adjusting screw **1** clockwise as far as it will go.

i **Info**

Adjusting screw **1** is located at the upper end of the right fork leg.
The compression damping is located in left fork leg **COM** (white adjusting screw). The rebound damping is located in right fork leg **REB** (red adjusting screw).

- Turn counterclockwise by the number of clicks corresponding to the fork type.

Guideline

Rebound damping	
Comfort	18 clicks
Standard	15 clicks
Sport	12 clicks

- i Info**
Turn clockwise to increase damping; turn counterclockwise to reduce damping.



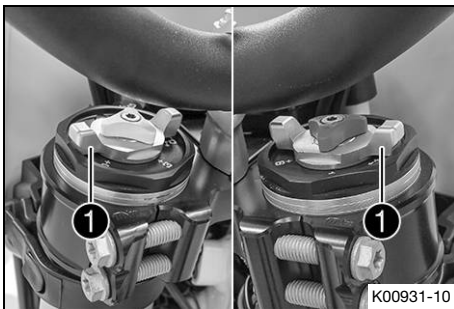
11.14 Adjusting the spring preload of the fork

Preparatory work

- Raise the motorcycle with a lift stand. (📖 p. 56)

Main work

- Turn the adjusting wings ❶ counterclockwise all the way.
- ✓ The marking **+0** aligns with the adjusting wing on both fork legs.



- i Info**
Make the adjustment by hand only. Do not use a tool. Make the same adjustment on both fork legs.

- Turn the adjusting wings clockwise.

Guideline

Spring preload - Preload Adjuster	
Comfort	+0
Standard	+0
Sport	+3

- ✓ The adjusting wings engage noticeably at the numerical values.

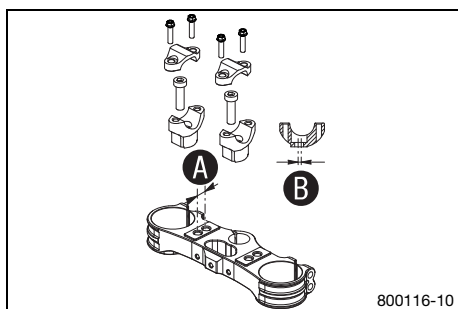
- i Info**
Adjust the spring preload to the numerical values only as the preload will not engage between the numerical values.
Turn clockwise to increase the spring preload; turn counterclockwise to reduce the spring preload.
Adjusting the spring preload has no influence on the absorption setting of the rebound.
Basically, however, you should set the rebound damping higher with a higher spring preload.

Finishing work

- Remove the motorcycle from the lift stand. (📖 p. 56)



11.15 Handlebar position



On the upper triple clamp, there are 2 holes at a distance of **A** to each other.

Hole distance A	15 mm (0.59 in)
-----------------	-----------------

The holes on the handlebar support are placed at a distance of **B** from the center.

Hole distance B	3.5 mm (0.138 in)
-----------------	-------------------

The handlebar can be mounted in four different positions. This allows the handlebar to be mounted in the most comfortable position for the rider.

11.16 Adjusting the handlebar position

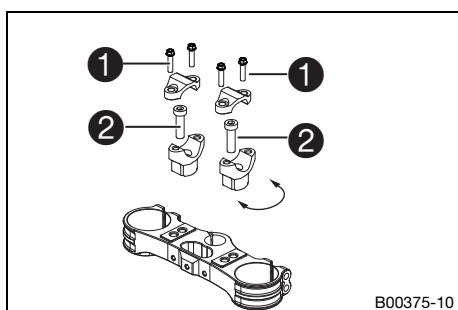


Warning

Danger of accidents A repaired handlebar poses a safety risk.

If the handlebar is bent or straightened, the material becomes fatigued. The handlebar may break as a result.

- Change the handlebar if the handlebar is damaged or bent.



- Remove screws **1**. Take off the handlebar clamps. Remove the handlebar and lay it to one side.



Info

Cover the components to protect them against damage.
Do not kink the cables and lines.

- Remove screws **2**. Take off the handlebar supports.
- Place the handlebar supports in the required position. Mount and tighten screws **2**.

Guideline

Screw, handlebar support	M10	40 Nm (29.5 lbf ft) Loctite®243™
--------------------------	-----	--------------------------------------------



Info

Position the left and right handlebar supports evenly.

- Position the handlebar.



Info

Make sure the cables and wiring are positioned correctly.

- Position the handlebar clamps. Mount screws **1** and tighten evenly.

Guideline

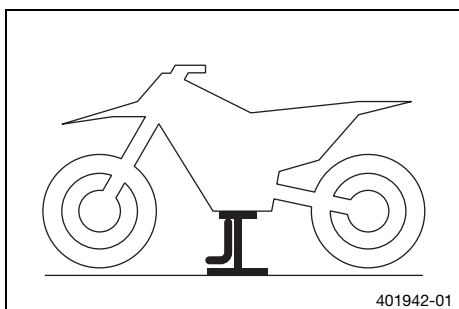
Screw, handlebar clamp	M8	20 Nm (14.8 lbf ft)
------------------------	----	---------------------

**Info**

Make sure the gap widths are even.



12.1 Raising the motorcycle with a lift stand



Note

Danger of damage The parked vehicle can roll away or fall over.

- Park the vehicle on a firm and level surface.
- Raise the motorcycle at the frame underneath the engine.

Lift stand (81329955100)

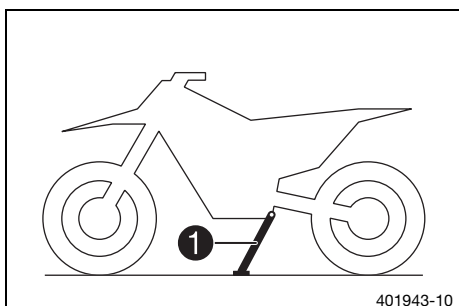
- ✓ Neither wheel is in contact with the ground.
- Secure the motorcycle against falling over.

12.2 Removing the motorcycle from the lift stand

Note

Danger of damage The parked vehicle can roll away or fall over.

- Park the vehicle on a firm and level surface.

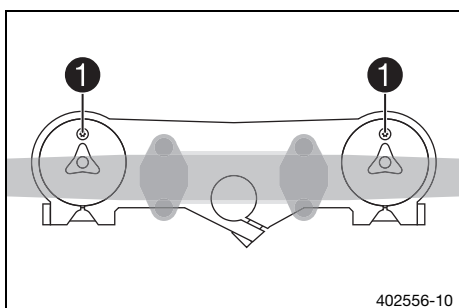


- Remove the motorcycle from the lift stand.
- Remove the lift stand.
- To park the motorcycle, press side stand ① to the ground with your foot and lean the motorcycle on it.

Info

When you are riding, the side stand must be folded up and secured with the rubber band.

12.3 Bleeding the fork legs



Preparatory work

- Raise the motorcycle with a lift stand. (📖 p. 56)

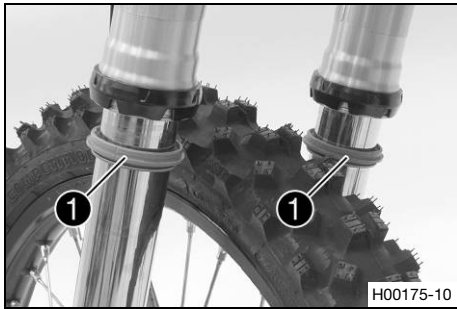
Main work

- Release bleeder screws ①.
 - ✓ Any excess pressure escapes from the interior of the fork.
- Tighten the bleeder screws.

Finishing work

- Remove the motorcycle from the lift stand. (📖 p. 56)

12.4 Cleaning the dust boots of the fork legs



Preparatory work

- Raise the motorcycle with a lift stand. (📖 p. 56)
- Remove the fork protector. (📖 p. 59)

Main work

- Push dust boots ❶ of both fork legs downward.



Info

The dust boots remove dust and coarse dirt particles from the inside fork tubes. Over time, dirt can accumulate behind the dust boots. If this dirt is not removed, the oil seals behind can start to leak.



Warning

Danger of accidents Oil or grease on the brake discs reduces the braking effect.

- Always keep the brake discs free of oil and grease.
- Clean the brake discs with brake cleaner when necessary.

- Clean and oil the dust boots and inner fork tubes of both fork legs.

Universal oil spray (📖 p. 154)

- Press the dust boots back into their normal position.
- Remove excess oil.

Finishing work

- Install the fork protector. (📖 p. 59)
- Remove the motorcycle from the lift stand. (📖 p. 56)



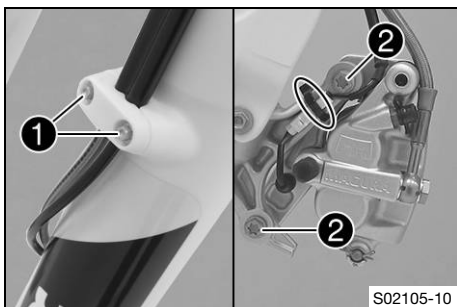
12.5 Removing the fork legs 🗑️

Preparatory work

- Remove the headlight mask with the headlight. (📖 p. 113)
- Raise the motorcycle with a lift stand. (📖 p. 56)
- Remove the front wheel. 🗑️ (📖 p. 101)

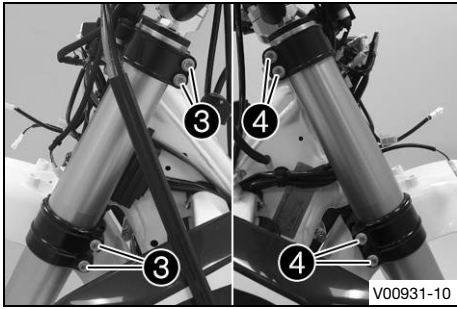
Main work

- Remove screws ❶ and take off the clamp.
- Remove the cable tie(s).
- Remove screws ❷ and take off the brake caliper.
- Allow the brake caliper and brake line to hang loosely to the side.



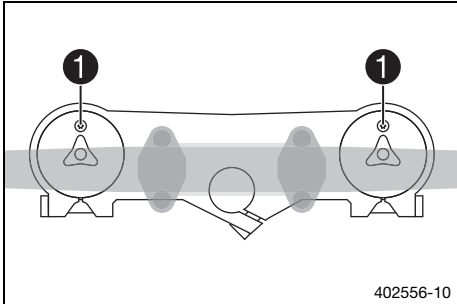
Info

Do not pull the hand brake lever when the front wheel is removed.



- Loosen screws ③. Take out the left fork leg.
- Loosen screws ④. Take out the right fork leg.

12.6 Installing the fork legs

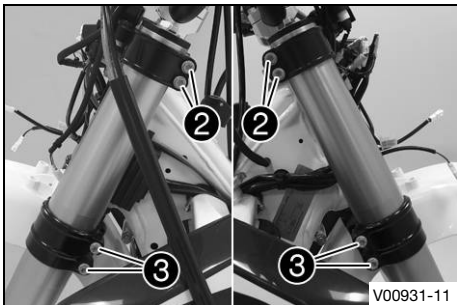


Main work

- Position the fork legs.
- ✓ Bleeder screws ① are positioned toward the front.

Info

The rebound damping is located in the right fork leg (red adjusting screw). The compression damping is located in the left fork leg (white adjusting screw). Grooves are milled into the side of the upper end of the fork legs. The second milled groove (from the top) must be flush with the top edge of the upper triple clamp.



- Tighten screws ②.

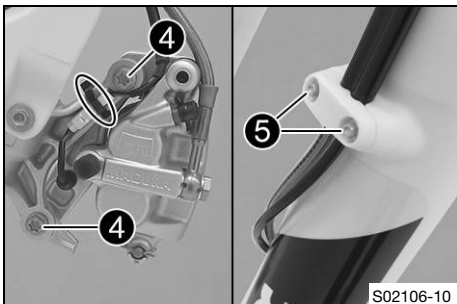
Guideline

Screw, top triple clamp	M8	17 Nm (12.5 lbf ft)
-------------------------	----	---------------------

- Tighten screws ③.

Guideline

Screw, bottom triple clamp	M8	15 Nm (11.1 lbf ft)
----------------------------	----	---------------------



- Position the brake caliper, and mount and tighten screws ④.

Guideline

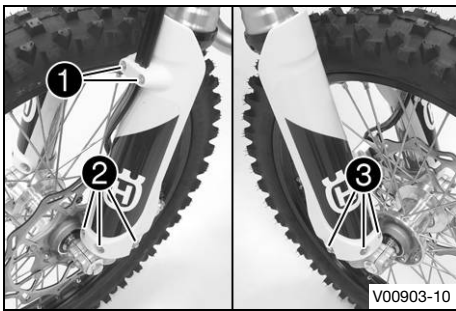
Screw, front brake caliper	M8	25 Nm (18.4 lbf ft) Loctite®243™
----------------------------	----	--------------------------------------------

- Mount the cable tie(s).
- Position the brake line, wiring harness, and clamp. Mount and tighten screws ⑤.

Finishing work

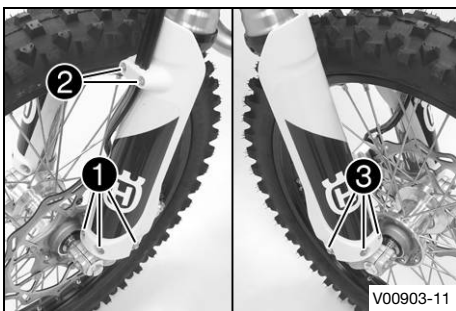
- Install the front wheel. (🔧 p. 102)
- Install the headlight mask with the headlight. (🔧 p. 114)
- Check the headlight setting. (🔧 p. 117)

12.7 Removing the fork protector



- Remove screws ① and take off the clamp.
- Remove screws ② and take off the left fork protector.
- Remove screws ③ and take off the right fork protector.

12.8 Installing the fork protector



- Position the fork protector on the left fork leg. Mount and tighten screws ①.

Guideline

Remaining screws, chassis	M6	10 Nm (7.4 lbf ft)
---------------------------	----	--------------------

- Position the brake line, wiring harness, and clamp. Mount and tighten screws ②.
- Position the fork protector on the right fork leg. Mount and tighten screws ③.

Guideline

Remaining screws, chassis	M6	10 Nm (7.4 lbf ft)
---------------------------	----	--------------------

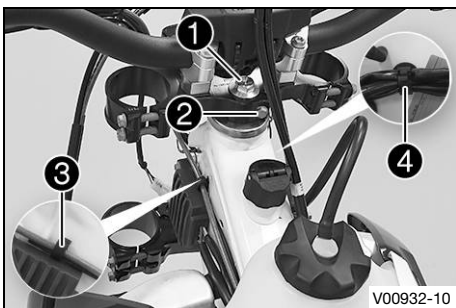
12.9 Removing the lower triple clamp

Preparatory work

- Remove the headlight mask with the headlight. (📖 p. 113)
- Raise the motorcycle with a lift stand. (📖 p. 56)
- Remove the front wheel. 🗑️ (📖 p. 101)
- Remove the fork legs. 🗑️ (📖 p. 57)
- Remove front fender. (📖 p. 64)

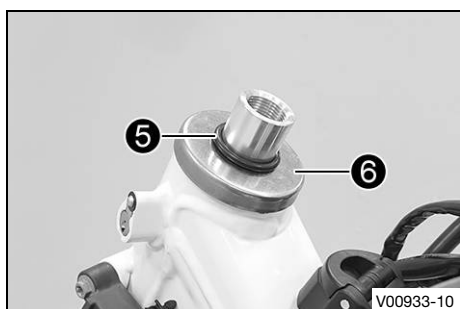
Main work

- Remove screw ①.
- Remove screw ②.
- Open cable holder ③ in front of the left radiator and detach the clutch line.
- Open cable holder ④ in front of the right radiator and detach the wiring harness.
- Remove the upper triple clamp with the handlebar and set aside.



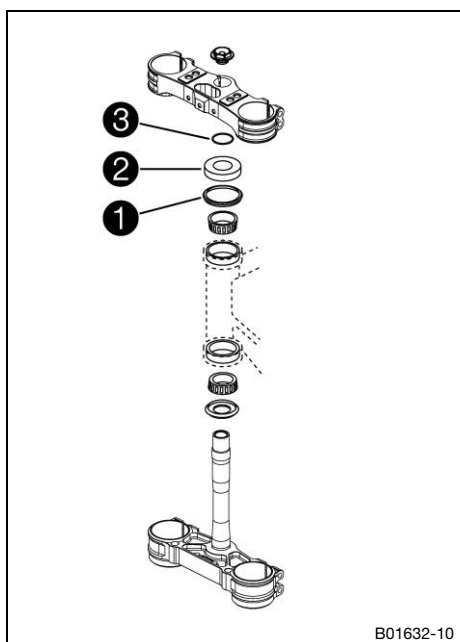
i Info

Cover the components to protect them against damage.
Do not kink the cables and lines.



- Remove O-ring **5**. Remove protective ring **6**.
- Take out the lower triple clamp with the steering stem.
- Take out the upper steering head bearing.

12.10 Installing the lower triple clamp



Main work

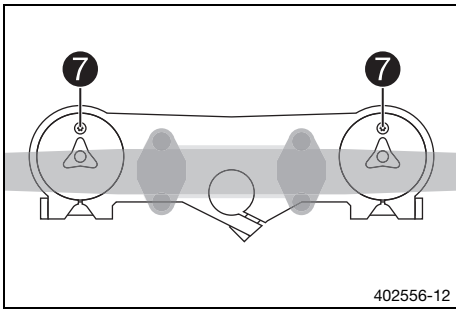
- Clean the bearing and sealing elements, check for damage, and grease.

High viscosity grease (📖 p. 154)

- Insert the lower triple clamp with the steering stem. Mount the upper steering head bearing.
- Check whether upper steering head seal **1** is correctly positioned.
- Mount protective ring **2** and O-ring **3**.

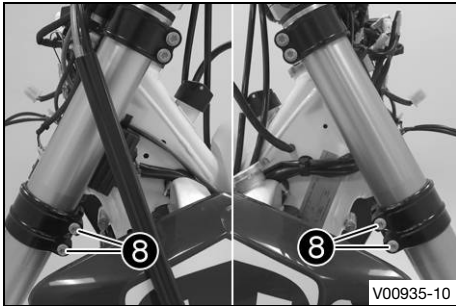


- Position the upper triple clamp with the handlebar.
- Mount screw **4** but do not tighten yet.
- Mount the clutch line with cable holder **5**.
- Mount the wiring harness with cable holder **6**.



- Position the fork legs.
- ✓ Bleeder screws **7** are positioned toward the front.

i Info
 The rebound damping is located in the right fork leg (red adjusting screw). The compression damping is located in the left fork leg (white adjusting screw). Grooves are milled into the side of the upper end of the fork legs. The second milled groove (from the top) must be flush with the top edge of the upper triple clamp.



- Tighten screws **8**.

Guideline

Screw, bottom triple clamp	M8	15 Nm (11.1 lbf ft)
----------------------------	----	---------------------



- Tighten screw **4**.

Guideline

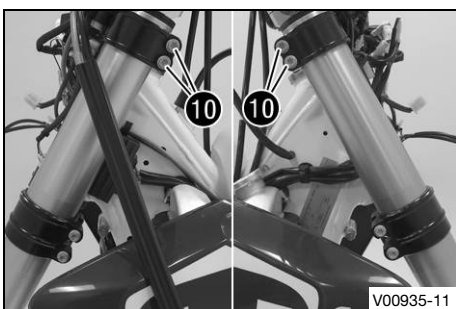
Screw, top steering head	M20x1.5	12 Nm (8.9 lbf ft)
--------------------------	---------	--------------------



- Mount and tighten screw **9**.

Guideline

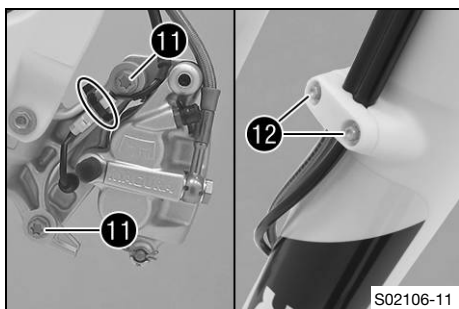
Screw, top steering stem	M8	17 Nm (12.5 lbf ft) Loctite®243™
--------------------------	----	--------------------------------------------



- Tighten screws **10**.

Guideline

Screw, top triple clamp	M8	17 Nm (12.5 lbf ft)
-------------------------	----	---------------------



- Position the brake caliper, and mount and tighten screws 11.

Guideline

Screw, front brake caliper	M8	25 Nm (18.4 lbf ft) Loctite®243™
----------------------------	----	--------------------------------------------

- Mount the cable tie(s).
- Position the brake line, wiring harness, and clamp. Mount and tighten screws 12.

Finishing work

- Install front fender. (📖 p. 64)
- Install the front wheel. 🛠️ (📖 p. 102)
- Install the headlight mask with the headlight. (📖 p. 114)
- Check that the wiring harness, throttle cables, and brake and clutch lines can move freely and are routed correctly.
- Check the play of the steering head bearing. (📖 p. 62)
- Remove the motorcycle from the lift stand. (📖 p. 56)
- Check the headlight setting. (📖 p. 117)

12.11 Checking the play of the steering head bearing



Warning

Danger of accidents Incorrect steering head bearing play impairs the handling characteristic and damages components.

- Correct incorrect steering head bearing play immediately. (Your authorized Husqvarna Motorcycles workshop will be glad to help.)



Info

If the vehicle is operated for a lengthy period with play in the steering head bearing, the bearings and the bearing seats in the frame can become damaged over time.

Preparatory work

- Raise the motorcycle with a lift stand. (📖 p. 56)

Main work

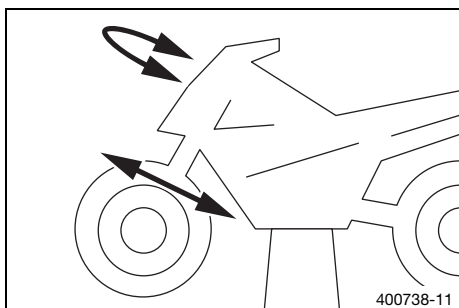
- Move the handlebar to the straight-ahead position. Move the fork legs to and fro in the direction of travel.

Play should not be detectable on the steering head bearing.

- » If there is detectable play:
 - Adjust the play of the steering head bearing. 🛠️ (📖 p. 63)
- Move the handlebar to and fro over the entire steering range.

It must be possible to move the handlebar easily over the entire steering range. There should be no detectable detent positions.

- » If detent positions are detected:



- Adjust the play of the steering head bearing. 🛠️ (📖 p. 63)
- Check the steering head bearing and change if necessary.

Finishing work

- Remove the motorcycle from the lift stand. (📖 p. 56)



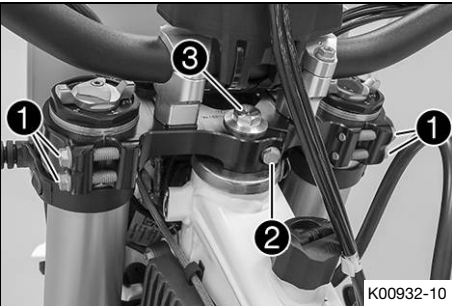
12.12 Adjusting the play of the steering head bearing 🛠️

Preparatory work

- Raise the motorcycle with a lift stand. (📖 p. 56)

Main work

- Loosen screws ❶. Remove screw ❷.
- Loosen and retighten screw ❸.



Guideline

Screw, top steering head	M20x1.5	12 Nm (8.9 lbf ft)
--------------------------	---------	--------------------

- Using a plastic hammer, tap lightly on the upper triple clamp to avoid strains.

- Tighten screws ❶.

Guideline

Screw, top triple clamp	M8	17 Nm (12.5 lbf ft)
-------------------------	----	---------------------

- Mount and tighten screw ❷.

Guideline

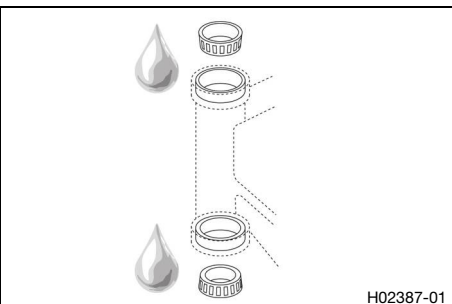
Screw, top steering stem	M8	17 Nm (12.5 lbf ft) Loctite®243™
--------------------------	----	--------------------------------------------

Finishing work

- Check the play of the steering head bearing. (📖 p. 62)
- Remove the motorcycle from the lift stand. (📖 p. 56)



12.13 Greasing the steering head bearing 🛠️



- Remove the lower triple clamp. 🛠️ (📖 p. 59)
- Install the lower triple clamp. 🛠️ (📖 p. 60)



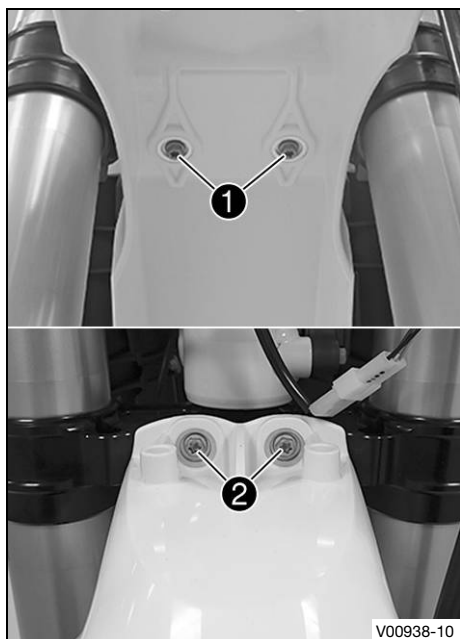
12.14 Removing front fender

Preparatory work

- Remove the headlight mask with the headlight. (📖 p. 113)

Main work

- Remove screws ❶.
- Remove screws ❷. Take off the front fender.



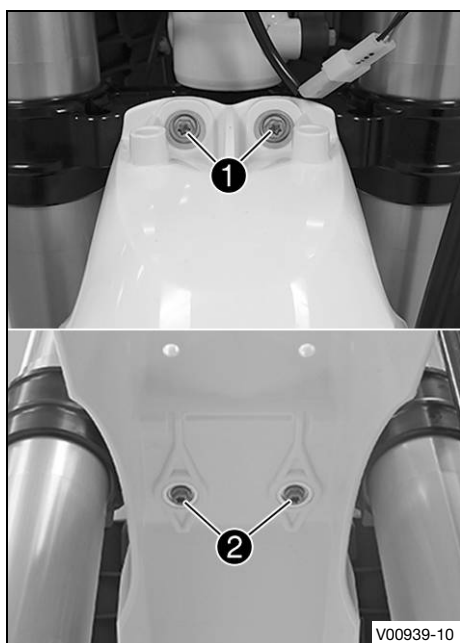
12.15 Installing front fender

Main work

- Position front fender. Mount and tighten screws ❶ and ❷.

Guideline

Remaining screws, chassis	M6	10 Nm (7.4 lbf ft)
---------------------------	----	--------------------



Finishing work

- Install the headlight mask with the headlight. (📖 p. 114)
- Check the headlight setting. (📖 p. 117)

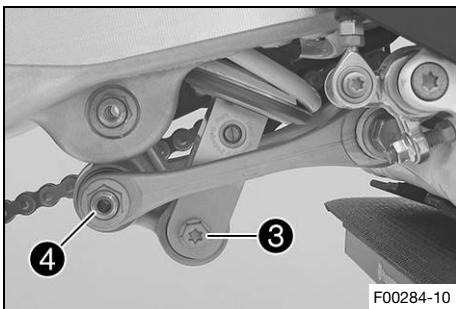
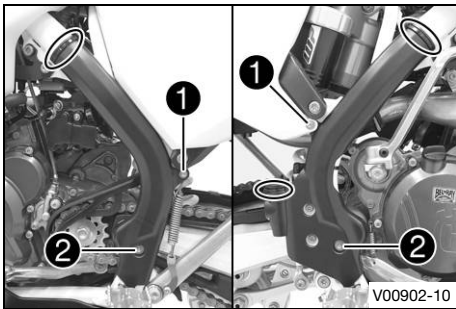
12.16 Removing the shock absorber

Preparatory work

- Raise the motorcycle with a lift stand. (📖 p. 56)

Main work

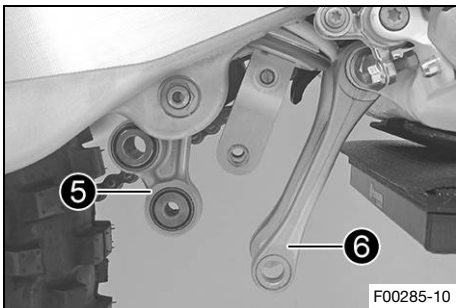
- Remove the cable ties.
- Remove screws ①.
- Remove screws ② with the washers.
- Remove the frame protectors on the left and right.



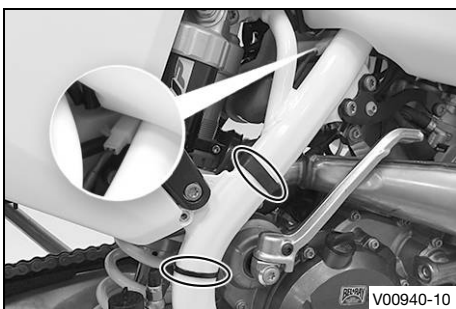
- Remove screw ③.
- Remove fitting ④.

i Info

Raise the wheel slightly to be able to remove the screws more easily.



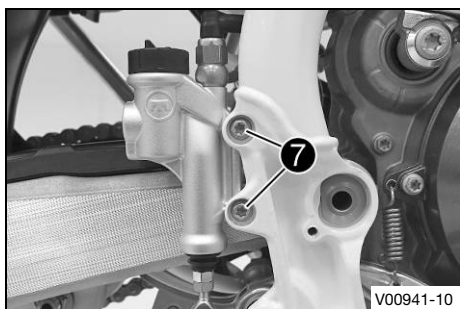
- Press angle lever ⑤ toward the rear.
- Press linkage lever ⑥ downward.



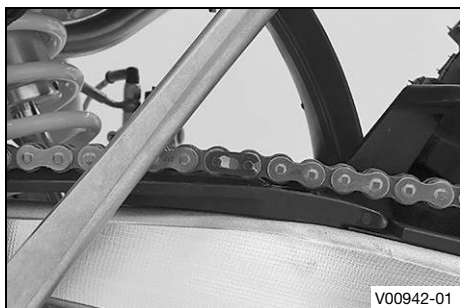
(All EU models)

- Remove the cable tie and rubber band.
- Separate plug-in connector of the brake light switch.

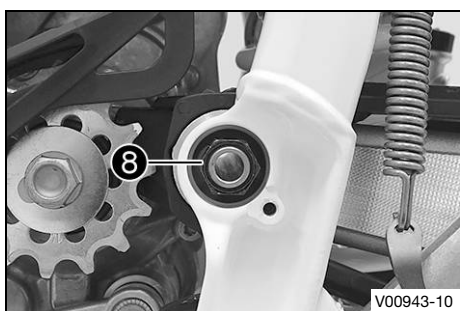
12 SERVICE WORK ON THE CHASSIS



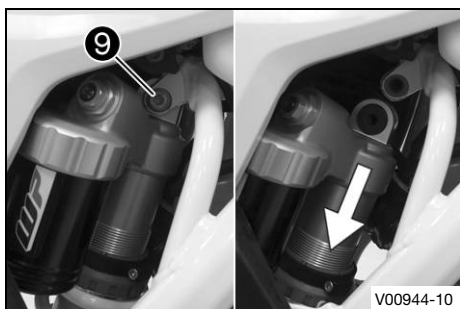
- Remove screws 7.
- Pull off foot brake cylinder from the push rod.



- Remove the connecting link of the chain.
- Take off the chain.

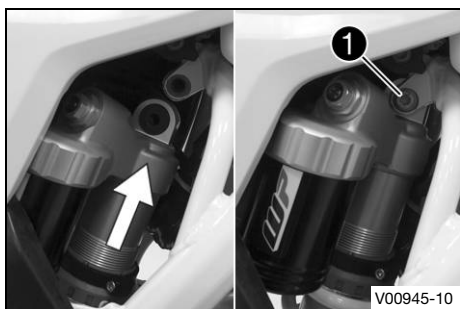


- Remove nut 8 and pull out the swingarm pivot.
- Push the swingarm back and secure it against falling over.



- Hold the shock absorber and remove screw 9.
- Remove the shock absorber carefully at the bottom.

12.17 Installing the shock absorber

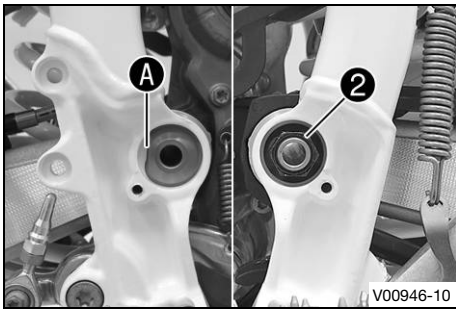


Main work

- Carefully position the shock absorber into the vehicle from the bottom.
- Mount and tighten screw 1.

Guideline

Screw, top shock absorber	M10	60 Nm (44.3 lbf ft) Loctite®2701™
---------------------------	-----	---------------------------------------------



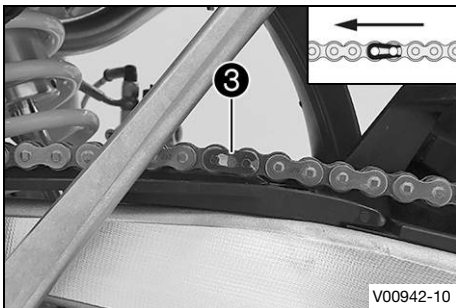
- Position the swingarm and mount the swingarm pivot.

i Info
Pay attention to flat area **A**.

- Mount and tighten nut **2**.

Guideline

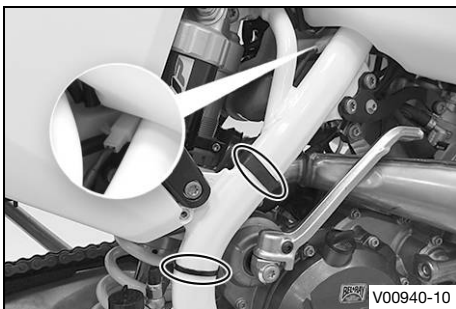
Nut, swingarm pivot	M16x1.5	100 Nm (73.8 lbf ft)
---------------------	---------	----------------------



- Mount the chain.
- Connect the chain with connecting link **3**.

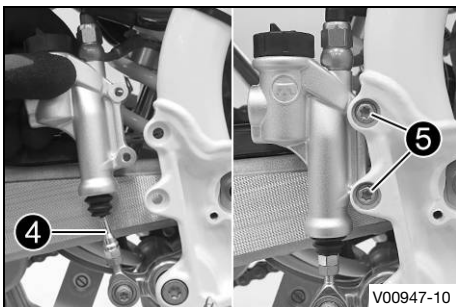
Guideline

The closed side of the chain joint lock must face in the direction of travel.



(All EU models)

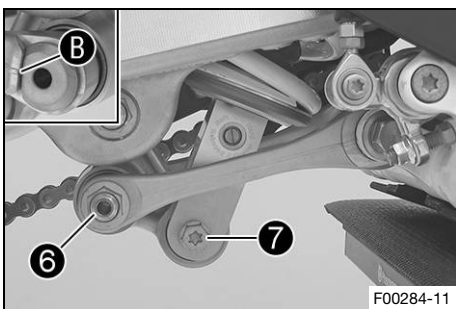
- Join plug-in connector of the brake light switch.
- Fit the new rubber band and cable tie.



- Position the foot brake cylinder.
 - ✓ Push rod **4** engages in the foot brake cylinder.
 - ✓ The dust boot is correctly positioned.
- Mount and tighten screws **5**.

Guideline

Remaining screws, chassis	M6	10 Nm (7.4 lbf ft)
---------------------------	----	--------------------



- Position the angle lever and linkage lever.
- Mount and tighten fitting **6**.

Guideline

Nut, linkage lever on angle lever	M14x1.5	80 Nm (59 lbf ft)
-----------------------------------	---------	-------------------

i Info
Pay attention to flat area **B**.

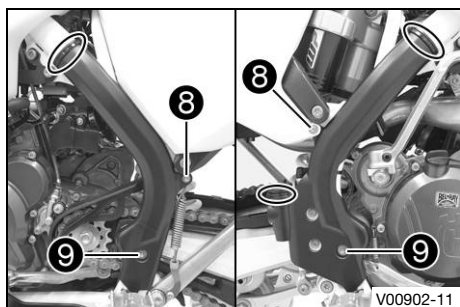
- Mount and tighten screw **7**.

Guideline

Screw, bottom shock absorber	M10	60 Nm (44.3 lbf ft) Loctite®2701™
------------------------------	-----	---------------------------------------------

i Info

Raise the wheel slightly to be able to mount the screw more easily.



- Position the frame protectors on the left and right.
- Mount and tighten screws **8**.

Guideline

Screw, frame protector	M5	3 Nm (2.2 lbf ft)
------------------------	----	-------------------

- Mount and tighten screws **9** with the washers.

Guideline

Screw, frame protector	M5	3 Nm (2.2 lbf ft)
------------------------	----	-------------------

- Mount the new cable ties.

Finishing work

- Check the free travel of the foot brake lever. (📖 p. 94)
- Remove the motorcycle from the lift stand. (📖 p. 56)

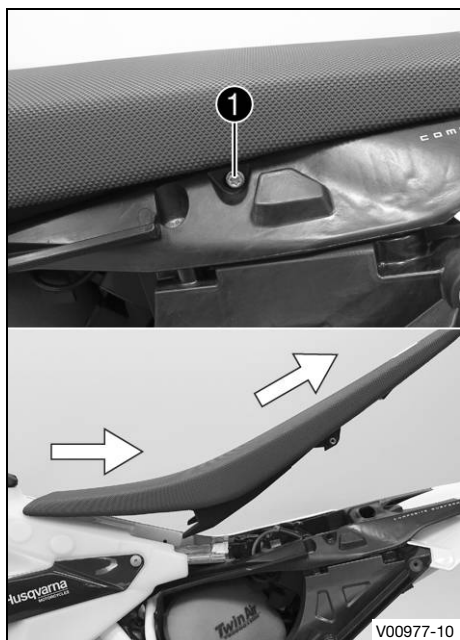
12.18 Removing the seat

Preparatory work

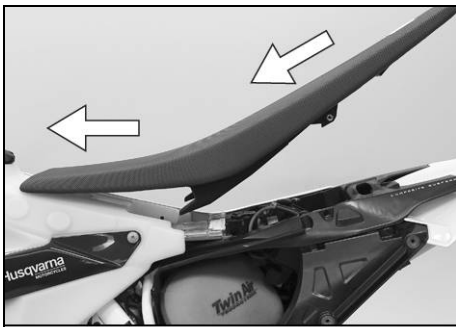
- Remove the air filter box cover. (📖 p. 69)

Main work

- Remove screw **1**.
- Pull seat back and lift it off.



12.19 Mounting the seat



Main work

- Mount the front of the seat on the collar bushing of the fuel tank, lower the seat at the rear, and push the seat forward.
- Make sure that the seat is locked in correctly.
- Mount and tighten screw ❶.

Guideline

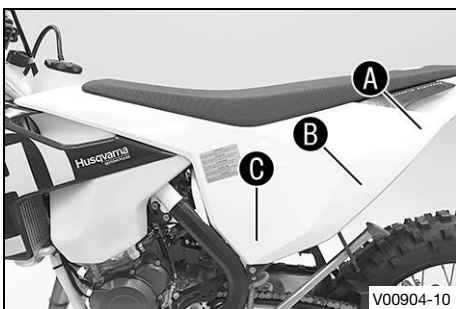
Remaining screws, chassis	M6	10 Nm (7.4 lbf ft)
---------------------------	----	--------------------

Finishing work

- Install the air filter box cover. (📖 p. 70)



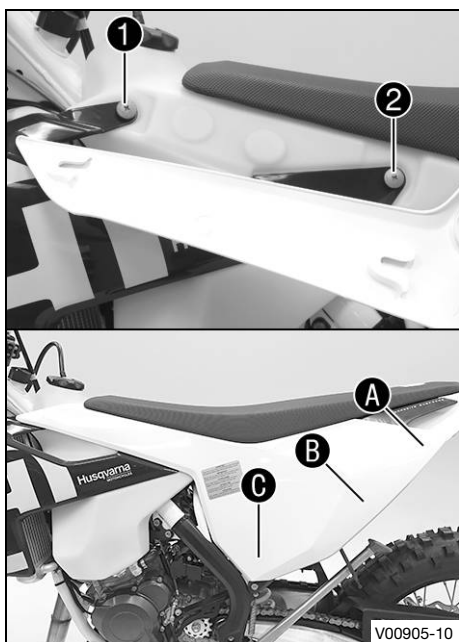
12.20 Removing the air filter box cover



- Pull off the air filter box cover sideways in areas ❶, ❷ and ❸, and remove toward the front.



12.21 Installing the air filter box cover



- Position air filter box cover on collar bushings ① and ② and push toward the rear.
- Engage the air filter box cover in areas A, B and C.

12.22 Removing the air filter

Note

Engine damage Unfiltered intake air has a negative effect on the service life of the engine.

Dust and dirt will enter the engine without an air filter.

- Never start to use the vehicle without an air filter.



Warning

Environmental hazard Hazardous substances cause environmental damage.

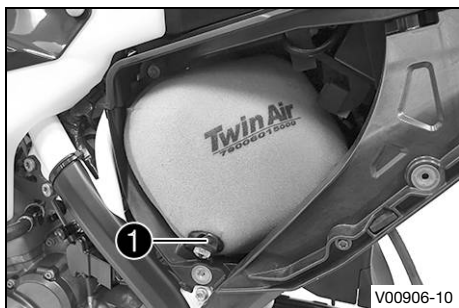
- Dispose of oils, grease, filters, fuel, cleaning agents, brake fluid, etc., correctly and in compliance with the applicable regulations.

Preparatory work

- Remove the air filter box cover. (📖 p. 69)

Main work

- Detach retaining tab ①. Remove air filter with air filter support.
- Remove air filter from air filter support.



12.23 Cleaning the air filter and air filter box ↴



Warning

Environmental hazard Hazardous substances cause environmental damage.

- Dispose of oils, grease, filters, fuel, cleaning agents, brake fluid, etc., correctly and in compliance with the applicable regulations.



Info

Do not clean the air filter with fuel or petroleum since these substances attack the foam.



Preparatory work

- Remove the air filter box cover. (📖 p. 69)
- Remove the air filter. ↴ (📖 p. 70)

Main work

- Wash the air filter thoroughly in special cleaning liquid and allow it to dry properly.

Air filter cleaning agent (📖 p. 154)



Info

Only press the air filter to dry it, never wring it out.

- Oil the dry air filter with a high quality filter oil.

Oil for foam air filter (📖 p. 154)

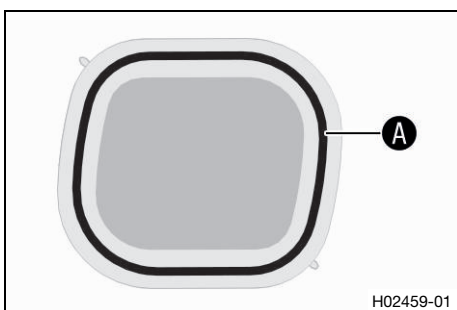
- Clean the air filter box.
- Clean the intake flange and check it for damage and tightness.

Finishing work

- Install the air filter. ↴ (📖 p. 71)
- Install the air filter box cover. (📖 p. 70)



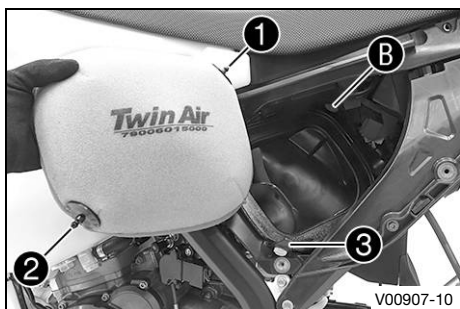
12.24 Installing the air filter ↴



Main work

- Mount the clean air filter on the air filter support.
- Grease the air filter in area **A**.

Long-life grease (📖 p. 154)



- Insert air filter and position retaining pin ① in bushing B.
 - ✓ The air filter is correctly positioned.
- Insert retaining tab ③.
 - ✓ Retaining pin ② is secured with retaining tab ③.



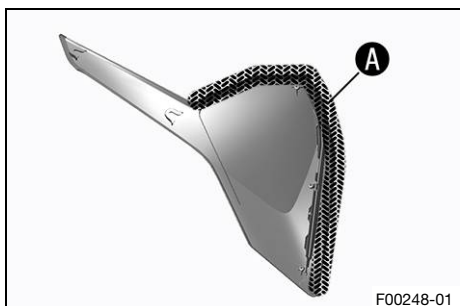
Info

If the air filter is not mounted correctly, dust and dirt may enter the engine and result in damage.

Finishing work

- Install the air filter box cover. (📖 p. 70)

12.25 Sealing the air filter box



- Seal the air filter box in the marked area A.

12.26 Removing the main silencer



Warning

Danger of burns The exhaust system gets very hot when the vehicle is driven.

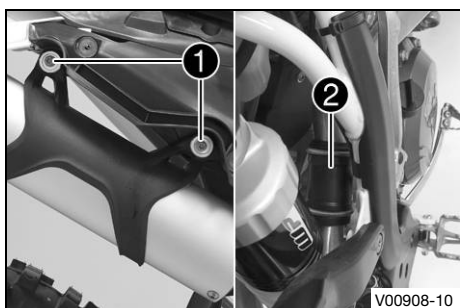
- Allow the exhaust system to cool down before performing any work on the vehicle.

Preparatory work

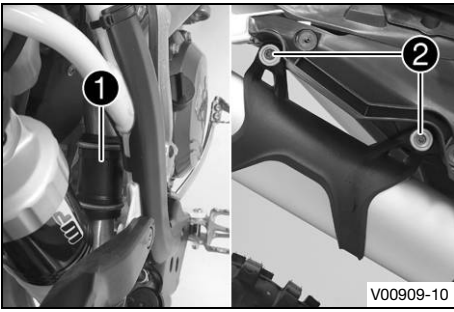
- Remove the right side cover. (📖 p. 74)

Main work

- Remove screws ① with the washers.
- Pull off the main silencer at the rubber sleeve ② and the spring ring from the manifold.



12.27 Installing the main silencer



Main work

- Mount the main silencer with the rubber sleeve **1** and spring ring.
- Mount and tighten screws **2** with the washers.

Guideline

Remaining screws, chassis	M6	10 Nm (7.4 lbf ft)
---------------------------	----	--------------------

Finishing work

- Install the right side cover. (📖 p. 74)

12.28 Changing the glass fiber yarn filling in the main silencer



Warning

Danger of burns The exhaust system gets very hot when the vehicle is driven.

- Allow the exhaust system to cool down before performing any work on the vehicle.



Info

Over time, the fibers of the glass fiber yarn escape and the damper "burns" out. Not only is the noise level higher, the performance characteristic changes.

Preparatory work

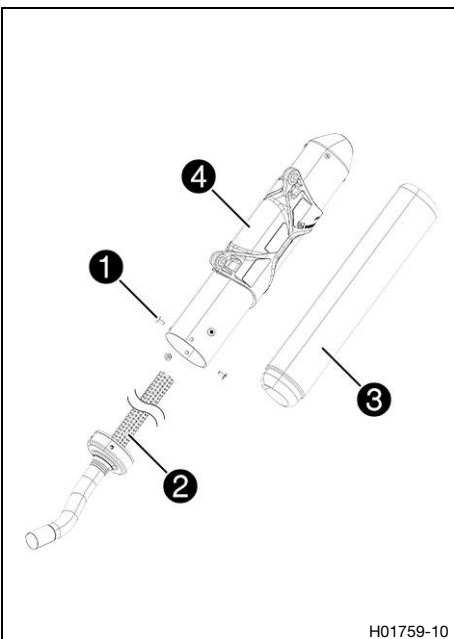
- Remove the right side cover. (📖 p. 74)
- Remove the main silencer. (📖 p. 72)

Main work

- Remove screws **1**.
- Pull out inner tube **2**.
- Remove the glass fiber yarn filling **3** from the inner tube.
- Clean the parts that need to be reinstalled and check for damage.
- Fit the new glass fiber yarn filling **3** into the inner tube.
- Position outer tube **4** over the inner tube with the new glass fiber yarn filling.
- Mount and tighten screws **1**.

Guideline

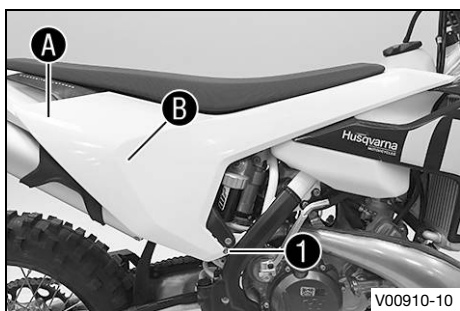
Screws on the main silencer	M5	7 Nm (5.2 lbf ft)
-----------------------------	----	-------------------



Finishing work

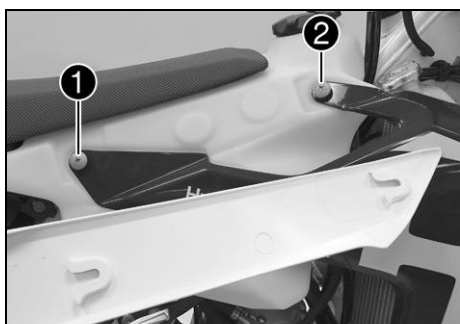
- Install the main silencer. (📖 p. 73)
- Install the right side cover. (📖 p. 74)

12.29 Removing the right side cover



- Remove screw ①.
- Pull off the side cover sideways in areas A and B, and remove toward the front.

12.30 Installing the right side cover



- Position the side cover on collar bushings ① and ②, and push toward the rear.
- Engage the side cover in areas A and B.
- Mount and tighten screw ③.

Guideline

Remaining screws, chassis	M5	5 Nm (3.7 lbf ft)
---------------------------	----	-------------------



12.31 Removing the fuel tank



Danger

Fire hazard Fuel is highly flammable.

The fuel in the fuel tank expands when warm and can escape if overfilled.

- Do not refuel the vehicle in the vicinity of open flames or lit cigarettes.
- Switch off the engine for refueling.
- Make sure that no fuel is spilled; particularly not on hot parts of the vehicle.
- If any fuel is spilled, wipe it off immediately.
- Observe the specifications for refueling.



Warning

Danger of poisoning Fuel is poisonous and a health hazard.

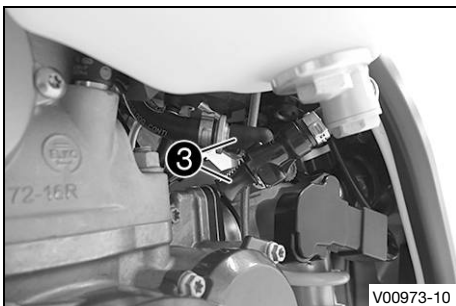
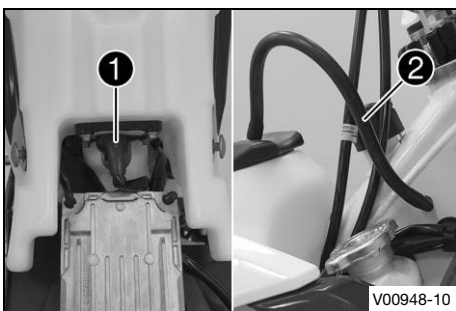
- Avoid skin, eye and clothing contact with fuel.
- Immediately consult a doctor if you swallow fuel.
- Do not inhale fuel vapors.
- In case of skin contact, rinse the affected area with plenty of water.
- Rinse the eyes thoroughly with water, and consult a doctor in case of fuel contact with the eyes.
- Change your clothing in case of fuel spills on them.
- Keep fuels correctly in a suitable canister, and out of the reach of children.

Preparatory work

- Remove the air filter box cover. (📖 p. 69)
- Remove the seat. (📖 p. 68)
- Remove the right side cover. (📖 p. 74)

Main work

- Unplug connector ① of the fuel pump.
- Remove tube ② from the fuel tank breather.



- Thoroughly clean the plug-in connection of the fuel line using compressed air.



Info

Under no circumstances should dirt enter into the fuel line. Dirt in the fuel line clogs the injection valve!

- Disconnect the plug-in connection of the fuel line.



Info

Remaining fuel may flow out of the fuel hose.

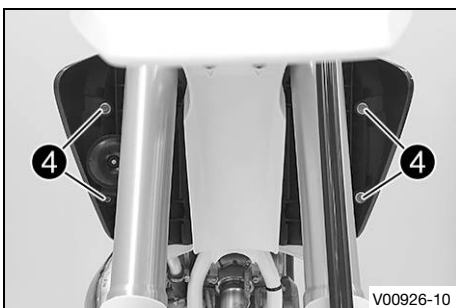
- Mount wash cap set ③.

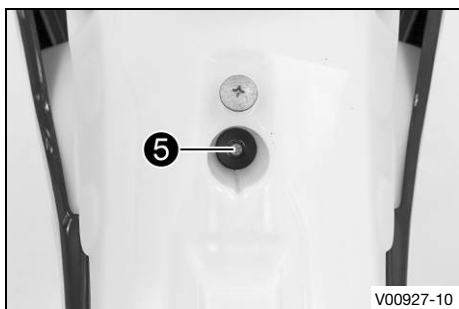
Wash cap set (81212016100)

- Remove screws ④ with the collar bushings.

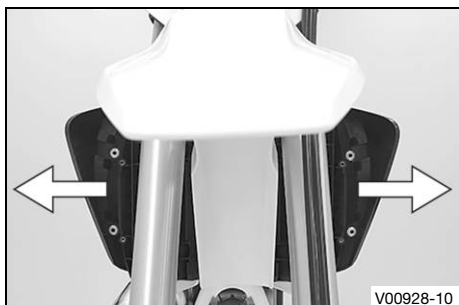
(All EU models)

- Hang the horn and horn bracket to one side.





- Remove screw ⑤ with the rubber bushing.



- Pull both spoilers off laterally from the radiator bracket and lift off the fuel tank.

12.32 Installing the fuel tank



Danger

Fire hazard Fuel is highly flammable.

The fuel in the fuel tank expands when warm and can escape if overfilled.

- Do not refuel the vehicle in the vicinity of open flames or lit cigarettes.
- Switch off the engine for refueling.
- Make sure that no fuel is spilled; particularly not on hot parts of the vehicle.
- If any fuel is spilled, wipe it off immediately.
- Observe the specifications for refueling.



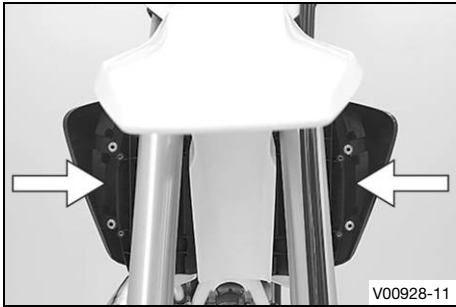
Warning

Danger of poisoning Fuel is poisonous and a health hazard.

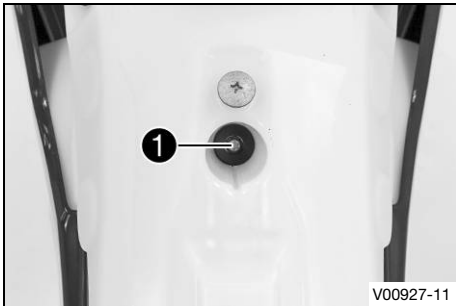
- Avoid skin, eye and clothing contact with fuel.
- Immediately consult a doctor if you swallow fuel.
- Do not inhale fuel vapors.
- In case of skin contact, rinse the affected area with plenty of water.
- Rinse the eyes thoroughly with water, and consult a doctor in case of fuel contact with the eyes.
- Change your clothing in case of fuel spills on them.

Main work

- Check throttle cable routing. (📖 p. 83)



- Position the fuel tank and fit the two spoilers to the sides in front of the radiator bracket.
- Make sure that no cables or throttle cables are trapped or damaged.



- Mount and tighten screw **1** with the rubber bushing.

Guideline

Remaining screws, chassis	M6	10 Nm (7.4 lbf ft)
---------------------------	----	--------------------

(All EU models)

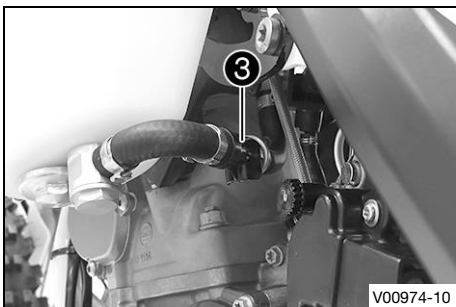
- Position the horn with the horn bracket.



- Mount and tighten screws **2** with the collar bushings.

Guideline

Remaining screws, chassis	M6	10 Nm (7.4 lbf ft)
---------------------------	----	--------------------

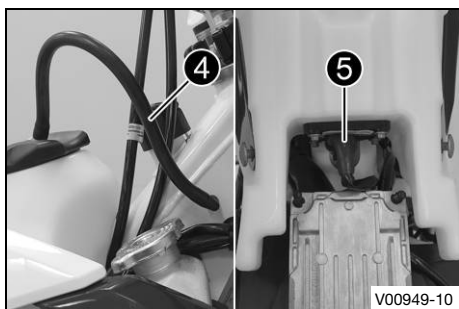


- Remove the wash cap set.
- Thoroughly clean the plug-in connection of the fuel line using compressed air.

i Info
Under no circumstances should dirt enter into the fuel line. Dirt in the fuel line clogs the injection valve!

- Lubricate the O-ring and connect plug-in connection **3** for the fuel line.

i Info
Route the cable and fuel line at a safe distance from the exhaust system.

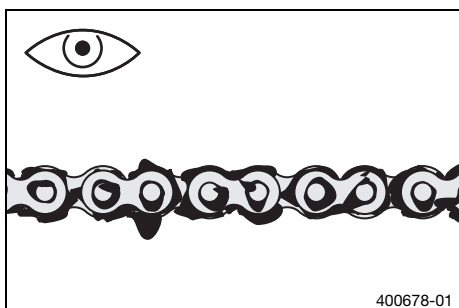


- Attach fuel tank breather hose ④.
- Plug in connector ⑤ for the fuel pump.

Finishing work

- Mount the seat. (📖 p. 69)
- Install the air filter box cover. (📖 p. 70)
- Install the right side cover. (📖 p. 74)

12.33 Checking the chain for dirt



- Check the chain for heavy soiling.
 - » If the chain is very dirty:
 - Clean the chain. (📖 p. 78)

12.34 Cleaning the chain



Warning

Danger of accidents Oil or grease on the tires reduces the road grip.

- Remove the lubricant from the tires using a suitable cleaning agent.



Warning

Danger of accidents Oil or grease on the brake discs reduces the braking effect.

- Always keep the brake discs free of oil and grease.
- Clean the brake discs with brake cleaner when necessary.



Warning

Environmental hazard Hazardous substances cause environmental damage.

- Dispose of oils, grease, filters, fuel, cleaning agents, brake fluid, etc., correctly and in compliance with the applicable regulations.

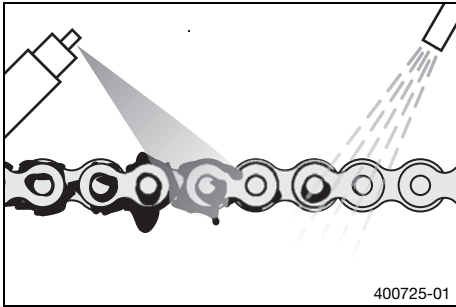


Info

The service life of the chain depends largely on its maintenance.

Preparatory work

- Raise the motorcycle with a lift stand. (📖 p. 56)



Main work

- Rinse off loose dirt with a soft jet of water.
- Clean chain and apply chain spray.

Offroad chain spray (📖 p. 154)

Finishing work

- Remove the motorcycle from the lift stand. (📖 p. 56)

12.35 Checking the chain tension



Warning

Danger of accidents Incorrect chain tension damages components and results in accidents.

If the chain is tensioned too much, the chain, engine sprocket, rear sprocket, transmission and rear wheel bearings wear more quickly. Some components may break if overloaded.

If the chain is too loose, the chain may fall off the engine sprocket or the rear sprocket. As a result, the rear wheel locks or the engine will be damaged.

- Check the chain tension regularly.
- Set the chain tension in accordance with the specification.

Preparatory work

- Raise the motorcycle with a lift stand. (📖 p. 56)

Main work

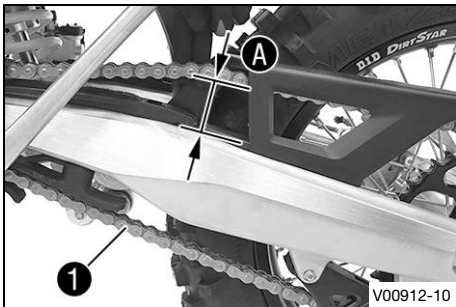
- Pull the chain at the end of the chain sliding component upwards to measure chain tension **A**.



Info

The lower chain section **1** must be taut.

Because chain wear is not always even, repeat this measurement at different chain positions.



Chain tension	55 ... 58 mm (2.17 ... 2.28 in)
---------------	---------------------------------

- » If the chain tension does not meet specifications:
 - Adjust the chain tension. (📖 p. 80)

Finishing work

- Remove the motorcycle from the lift stand. (📖 p. 56)

12.36 Adjusting the chain tension



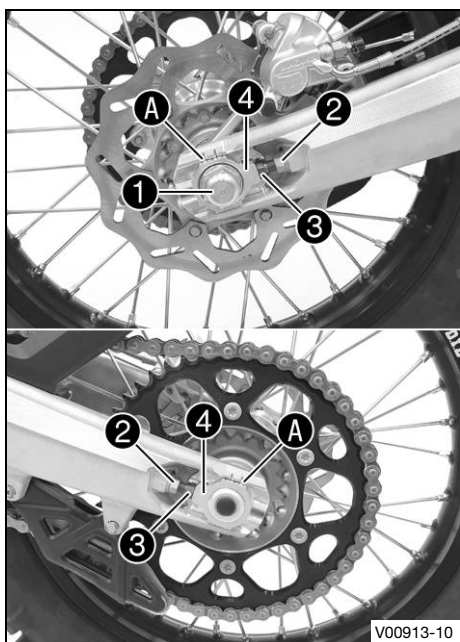
Warning

Danger of accidents Incorrect chain tension damages components and results in accidents.

If the chain is tensioned too much, the chain, engine sprocket, rear sprocket, transmission and rear wheel bearings wear more quickly. Some components may break if overloaded.

If the chain is too loose, the chain may fall off the engine sprocket or the rear sprocket. As a result, the rear wheel locks or the engine will be damaged.

- Check the chain tension regularly.
- Set the chain tension in accordance with the specification.



Preparatory work

- Raise the motorcycle with a lift stand. (📖 p. 56)
- Check the chain tension. (📖 p. 79)

Main work

- Loosen nut ①.
- Loosen nuts ②.
- Adjust the chain tension by turning the left and right adjusting screws ③.

Guideline

Chain tension	55 ... 58 mm (2.17 ... 2.28 in)
Turn adjusting screws ③ on the left and right so that the markings on the left and right chain adjusters are in the same position relative to reference marks A. The rear wheel is then correctly aligned.	

- Tighten nuts ②.
- Make sure that chain adjusters ④ are fitted correctly on adjusting screws ③.
- Tighten nut ①.

Guideline

Nut, rear wheel spindle	M20x1.5	80 Nm (59 lbf ft)
-------------------------	---------	-------------------



Info

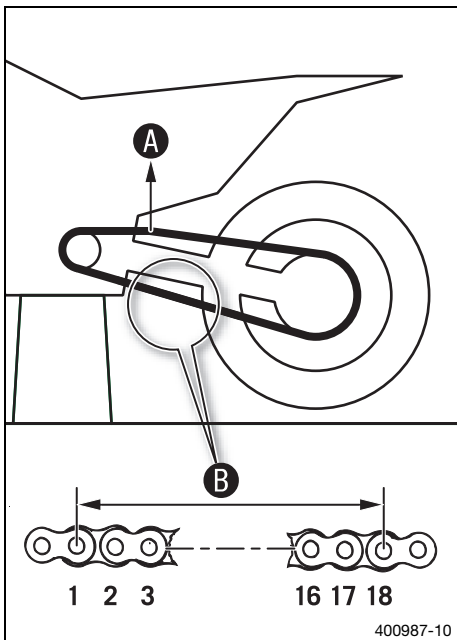
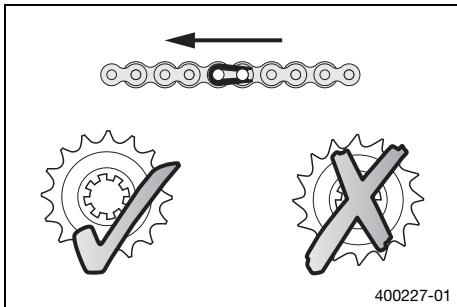
The wide adjustment range of the chain adjusters (32 mm (1.26 in)) enables different secondary ratios with the same chain length.

Chain adjusters ④ can be turned by 180°.

Finishing work

- Remove the motorcycle from the lift stand. (📖 p. 56)

12.37 Checking the chain, rear sprocket, engine sprocket, and chain guide



Preparatory work

- Raise the motorcycle with a lift stand. (📖 p. 56)

Main work

- Shift the transmission to idle.
- Check the rear sprocket and engine sprocket for wear.
 - » If the rear sprocket and engine sprocket are worn:
 - Change the drivetrain kit. 🛠️



Info

The engine sprocket, rear sprocket, and chain should always be replaced together.

- Pull at the top part of the chain with the specified weight **A**.

Guideline

Weight, chain wear measurement	10 ... 15 kg (22 ... 33 lb.)
--------------------------------	------------------------------

- Measure distance **B** of 18 chain rollers in the lower chain section.



Info

Chain wear is not always even, so you should repeat this measurement at different chain positions.

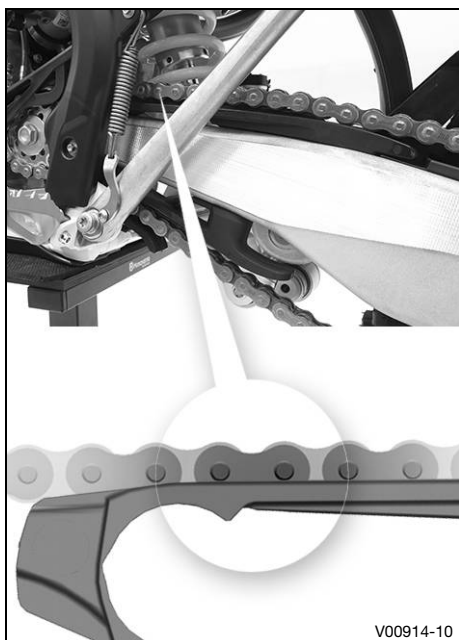
Maximum distance B at the longest chain section	272 mm (10.71 in)
--------------------------------------------------------	-------------------

- » If distance **B** is greater than the specified measurement:
 - Change the drivetrain kit. 🛠️



Info

When the chain is replaced, the rear sprocket and engine sprocket should also be changed. New chains wear out faster on old, worn sprockets.



- Check the chain sliding guard for wear.
 - » If the lower edge of the chain pins is in line with or below the chain sliding guard:
 - Change the chain sliding guard. 🛠️
- Check that the chain sliding guard is firmly seated.
 - » If the chain sliding guard is loose:
 - Tighten the screws on the chain sliding guard.

Guideline

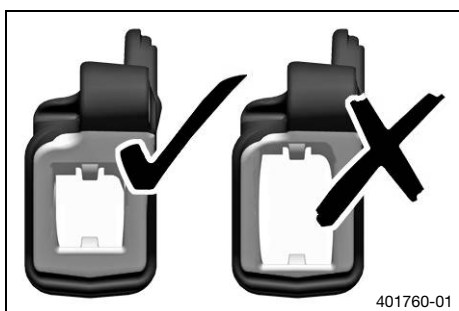
Screw, chain sliding guard	M6	14 Nm (10.3 lbf ft) Loctite®243™
----------------------------	----	--------------------------------------------



- Check the chain sliding piece for wear.
 - » If the lower edge of the chain pins is in line with or below the chain sliding piece:
 - Change the chain sliding piece. 🛠️
- Check that the chain sliding piece is firmly seated.
 - » If the chain sliding piece is loose:
 - Tighten the screw on the chain sliding piece.

Guideline

Screw, chain sliding piece	M8	15 Nm (11.1 lbf ft)
----------------------------	----	------------------------

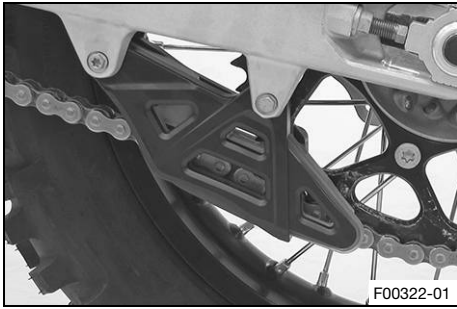


- Check the chain guide for wear.

i Info

Wear can be seen on the front of the chain guide.

- » If the light part of the chain guide is worn:
 - Change the chain guide. 🛠️



- Check that the chain guide is firmly seated.
 - » If the chain guide is loose:
 - Tighten the screws on the chain guide.

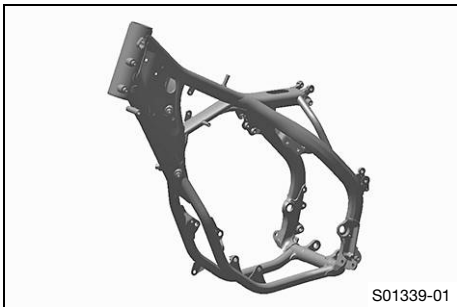
Guideline

Remaining screws, chassis	M6	10 Nm (7.4 lbf ft)
Remaining nuts, chassis	M6	10 Nm (7.4 lbf ft)

Finishing work

- Remove the motorcycle from the lift stand. (📖 p. 56)

12.38 Checking the frame 🛠️

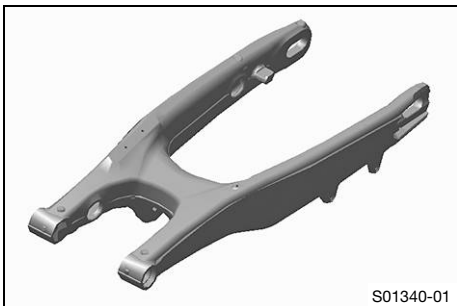


- Check the frame for cracks and deformation.
 - » If the frame exhibits cracks or deformation due to a mechanical impact:
 - Change the frame. 🛠️

i Info

Always replace a frame that has been damaged due to a mechanical impact. Repair of the frame is not authorized by Husqvarna Motorcycles.

12.39 Checking the swingarm 🛠️



- Check the swingarm for damage, cracking, and deformation.
 - » If the swingarm shows signs of damage, cracking, or deformation:
 - Change the swingarm. 🛠️

i Info

Always change a damaged swingarm. Repair of the swingarm is not authorized by Husqvarna Motorcycles.

12.40 Checking throttle cable routing

Preparatory work

- Remove the air filter box cover. (📖 p. 69)
- Remove the seat. (📖 p. 68)
- Remove the right side cover. (📖 p. 74)
- Remove the fuel tank. 🛠️ (📖 p. 74)



Main work

- Check throttle cable routing.

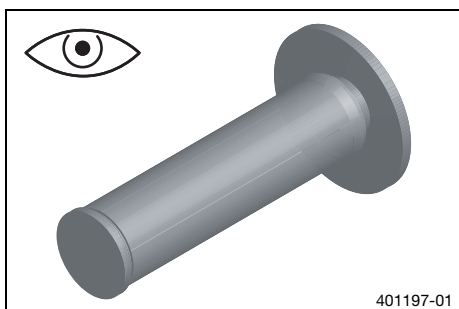
Both throttle cables must be routed, side by side, on the back of the handlebars, above the fuel tank bracket on the right of the frame to the throttle valve body. Both throttle cables must be secured behind the fuel tank contact area rubber band.

- » If the throttle cable routing is not as specified:
 - Correct throttle cable routing.

Finishing work

- Install the fuel tank. (🔧 p. 76)
- Mount the seat. (🔧 p. 69)
- Install the air filter box cover. (🔧 p. 70)
- Install the right side cover. (🔧 p. 74)

12.41 Checking the rubber grip



- Check the rubber grips on the handlebar for damage, wear, and looseness.

Info

The rubber grips are vulcanized onto a sleeve on the left and onto the handle tube of the throttle grip on the right. The left sleeve is clamped onto the handlebar. The rubber grip can only be replaced with the sleeve or the throttle tube.

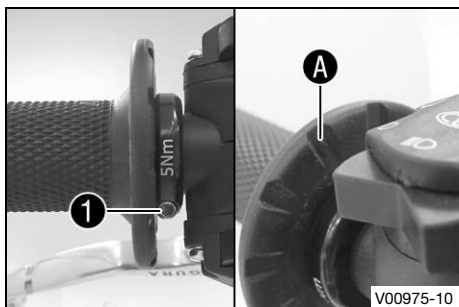
- » If a rubber grip is damaged or worn:
 - Change the rubber grip.

- Check that screw ❶ is firmly seated.

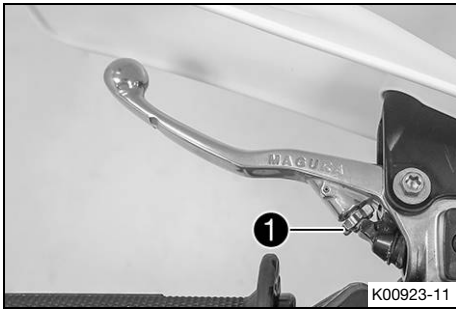
Guideline

Screw, fixed grip	M4	5 Nm (3.7 lbf ft) Loctite®243™
-------------------	----	------------------------------------------

The diamond ❷ must be positioned visibly as shown in the figure.



12.42 Adjusting the basic position of the clutch lever



- Adjust the basic position of the clutch lever to your hand size by turning adjusting screw ❶.



Info

When the adjusting screw is turned counterclockwise, the clutch lever moves away from the handlebar. When the adjusting screw is turned clockwise, the clutch lever moves closer to the handlebar. The range of adjustment is limited. Turn the adjusting screw by hand only, and do not apply any force. Do not make any adjustments while riding.

12.43 Checking/correcting the fluid level of the hydraulic clutch



Warning

Skin irritation Brake fluid causes skin irritation.

- Keep brake fluid out of the reach of children.
- Wear suitable protective clothing and safety glasses.
- Do not allow brake fluid to come into contact with the skin, the eyes or clothing.
- Consult a doctor immediately if brake fluid has been swallowed.
- Rinse the affected area with plenty of water in the event of contact with the skin.
- Rinse eyes thoroughly with water immediately and consult a doctor if brake fluid comes into contact with the eyes.
- If brake fluid spills on to your clothing, change the clothing.



Warning

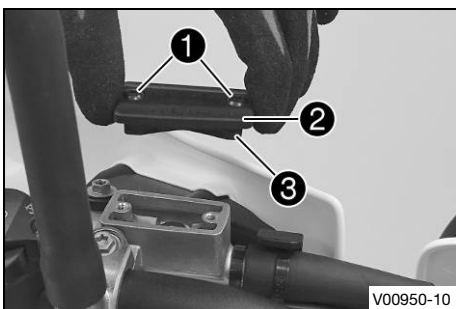
Environmental hazard Hazardous substances cause environmental damage.

- Dispose of oils, grease, filters, fuel, cleaning agents, brake fluid, etc., correctly and in compliance with the applicable regulations.



Info

The fluid level rises with increasing wear of the clutch facing discs. Never use DOT 5 brake fluid. It is silicone-based and purple in color. Oil seals and clutch lines are not designed for DOT 5 brake fluid. Avoid contact between brake fluid and painted parts. Brake fluid attacks paint. Only use clean brake fluid from a sealed container.



- Move the clutch fluid reservoir mounted on the handlebar to a horizontal position.
- Remove screws ❶.
- Remove cover ❷ with membrane ❸.
- Check the fluid level.

Fluid level below container rim	4 mm (0.16 in)
---------------------------------	----------------

- » If the level of the fluid does not meet specifications:

- Correct the fluid level of the hydraulic clutch.

Brake fluid DOT 4 (🗨️ p. 152)

- Position the cover with the membrane. Mount and tighten the screws.



Info

Clean up overflowed or spilled brake fluid immediately with water.

12.44 Changing the hydraulic clutch fluid 🗨️



Warning

Skin irritation Brake fluid causes skin irritation.

- Keep brake fluid out of the reach of children.
- Wear suitable protective clothing and safety glasses.
- Do not allow brake fluid to come into contact with the skin, the eyes or clothing.
- Consult a doctor immediately if brake fluid has been swallowed.
- Rinse the affected area with plenty of water in the event of contact with the skin.
- Rinse eyes thoroughly with water immediately and consult a doctor if brake fluid comes into contact with the eyes.
- If brake fluid spills on to your clothing, change the clothing.



Warning

Environmental hazard Hazardous substances cause environmental damage.

- Dispose of oils, grease, filters, fuel, cleaning agents, brake fluid, etc., correctly and in compliance with the applicable regulations.

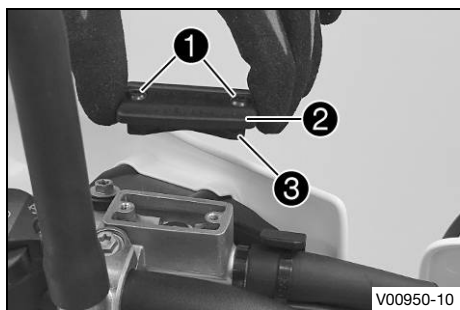


Info

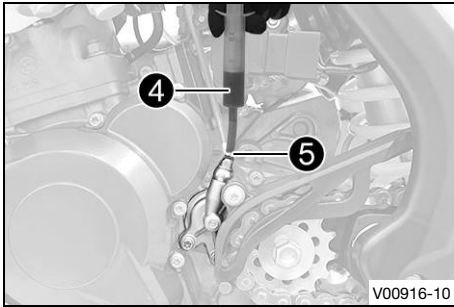
Never use DOT 5 brake fluid. It is silicone-based and purple in color. Oil seals and clutch lines are not designed for DOT 5 brake fluid.

Avoid contact between brake fluid and painted parts. Brake fluid attacks paint.

Only use clean brake fluid from a sealed container.



- Move the clutch fluid reservoir mounted on the handlebar to a horizontal position.
- Remove screws ①.
- Remove cover ② with membrane ③.

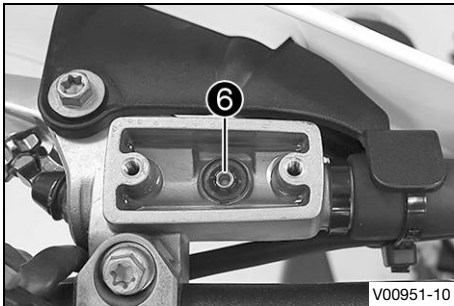


- Fill bleeding syringe ④ with the appropriate hydraulic fluid.

Syringe (50329050000)

Brake fluid DOT 4 (📖 p. 152)

- On the slave cylinder, remove bleeder screw ⑤ and mount bleeding syringe ④.



- Now inject the fluid into the system until it emerges from drill hole ⑥ of the master cylinder without bubbles.
- Now and then, extract fluid from the master cylinder reservoir to prevent overflow.
- Remove the bleeding syringe. Mount and tighten screws bleeder screw.
- Correct the fluid level of the hydraulic clutch.

Guideline

Fluid level below container rim	4 mm (0.16 in)
---------------------------------	----------------

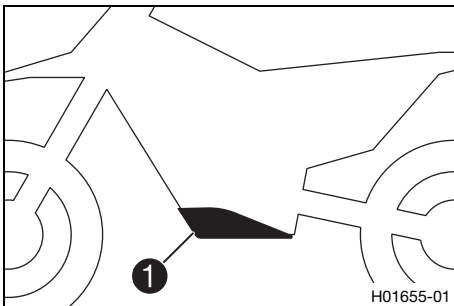
- Position the cover with the membrane. Mount and tighten the screws.



Info

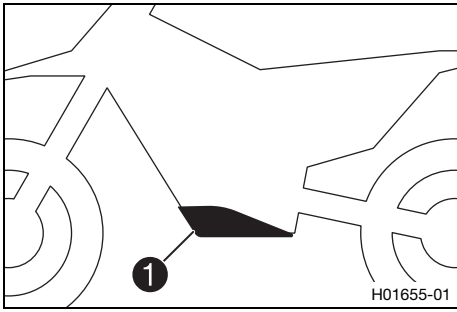
Clean up overflowed or spilled brake fluid immediately with water.

12.45 Removing the engine guard



- Remove screws ① and engine guard.

12.46 Installing the engine guard

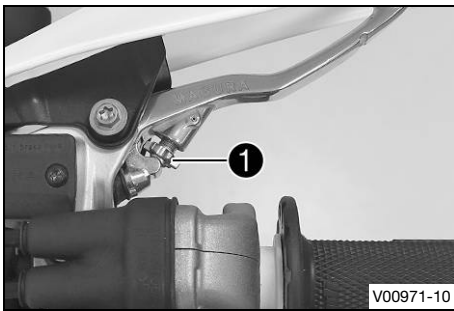


- Attach the engine guard on the frame at the rear and swing up at the front.
- Mount and tighten screws ①.

Guideline

Remaining screws, chassis	M6	10 Nm (7.4 lbf ft)
---------------------------	----	--------------------

13.1 Adjusting the basic position of the hand brake lever



- Adjust the basic position of the hand brake lever to your hand size by turning adjusting screw ❶.



Info

Turn the adjusting screw clockwise to decrease the distance between the hand brake lever and the handlebar.
Turn the adjusting screw counterclockwise to increase the distance between the hand brake lever and the handlebar.
The range of adjustment is limited.
Turn the adjusting screw by hand only, and do not apply any force.
Do not make any adjustments while riding.



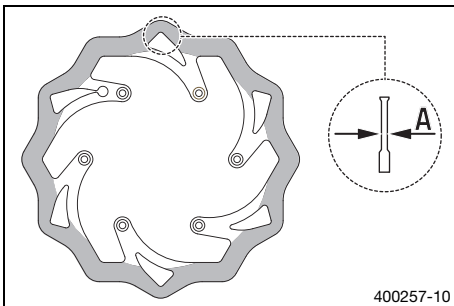
13.2 Checking the brake discs



Warning

Danger of accidents Worn-out brake discs reduce the braking effect.

- Make sure that worn-out brake discs are replaced immediately. (Your authorized Husqvarna Motorcycles workshop will be glad to help.)



- Check the front and rear brake disc thickness at multiple points for the dimension A.



Info

Wear reduces the thickness of the brake disc around the contact surface of the brake linings.

Brake discs - wear limit	
front	2.5 mm (0.098 in)
rear	3.5 mm (0.138 in)

- » If the brake disc thickness is less than the specified value:
 - Change the front brake disc. 🛠️
 - Change the rear brake disc. 🛠️
- Check the front and rear brake discs for damage, cracking, and deformation.
 - » If the brake disc exhibits damage, cracking, or deformation:
 - Change the front brake disc. 🛠️
 - Change the rear brake disc. 🛠️



13.3 Checking the front brake fluid level



Warning

Danger of accidents An insufficient brake fluid level will cause the brake system to fail.

If the brake fluid level drops below the specified marking or the specified value, the brake system is leaking or the brake linings are worn down.

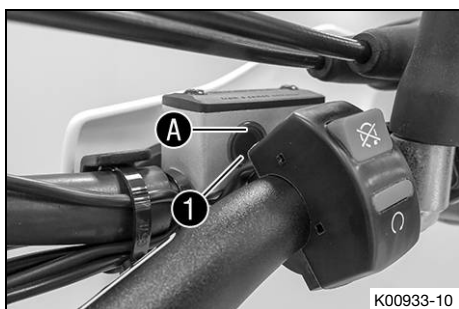
- Check the brake system and do not continue riding until the problem is eliminated. (Your authorized Husqvarna Motorcycles workshop will be glad to help.)



Warning

Danger of accidents Old brake fluid reduces the braking effect.

- Make sure that brake fluid for the front and rear brake is changed in accordance with the service schedule. (Your authorized Husqvarna Motorcycles workshop will be glad to help.)



- Move the brake fluid reservoir mounted on the handlebar to a horizontal position.
- Check the brake fluid level in the viewer **1**.
 - » If the brake fluid level has dropped below marking **A**:
 - Add front brake fluid. 📖 (p. 90)

13.4 Adding front brake fluid 📖



Warning

Danger of accidents An insufficient brake fluid level will cause the brake system to fail.

If the brake fluid level drops below the specified marking or the specified value, the brake system is leaking or the brake linings are worn down.

- Check the brake system and do not continue riding until the problem is eliminated. (Your authorized Husqvarna Motorcycles workshop will be glad to help.)



Warning

Skin irritation Brake fluid causes skin irritation.

- Keep brake fluid out of the reach of children.
- Wear suitable protective clothing and safety glasses.
- Do not allow brake fluid to come into contact with the skin, the eyes or clothing.
- Consult a doctor immediately if brake fluid has been swallowed.
- Rinse the affected area with plenty of water in the event of contact with the skin.
- Rinse eyes thoroughly with water immediately and consult a doctor if brake fluid comes into contact with the eyes.
- If brake fluid spills on to your clothing, change the clothing.



Warning

Danger of accidents Old brake fluid reduces the braking effect.

- Make sure that brake fluid for the front and rear brake is changed in accordance with the service schedule. (Your authorized Husqvarna Motorcycles workshop will be glad to help.)



Warning

Environmental hazard Hazardous substances cause environmental damage.

- Dispose of oils, grease, filters, fuel, cleaning agents, brake fluid, etc., correctly and in compliance with the applicable regulations.



Info

Never use DOT 5 brake fluid. It is silicone-based and purple in color. Oil seals and brake lines are not designed for DOT 5 brake fluid.

Avoid contact between brake fluid and painted parts. Brake fluid attacks paint.

Only use clean brake fluid from a sealed container.

Preparatory work

- Check the front brake linings. (📖 p. 91)

Main work

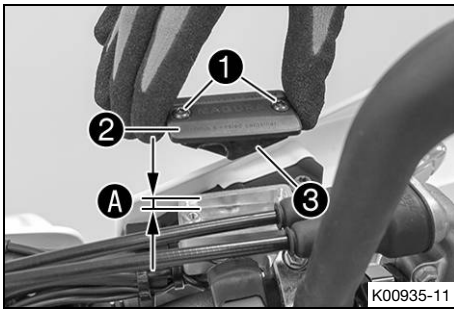
- Move the brake fluid reservoir mounted on the handlebar to a horizontal position.
- Remove screws ①.
- Remove cover ② with membrane ③.
- Add brake fluid to level A.

Guideline

Level A (brake fluid level below reservoir rim)	5 mm (0.2 in)
-------------------------------------------------	---------------

Brake fluid DOT 4 (📖 p. 152)

- Position the cover with the membrane. Mount and tighten the screws.



Info

Clean up overflowed or spilled brake fluid immediately with water.

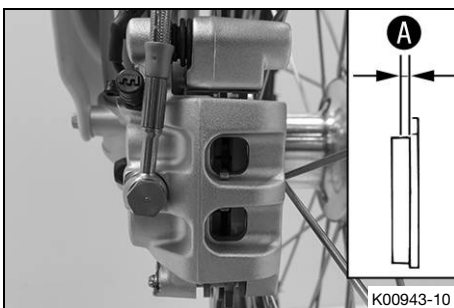
13.5 Checking the front brake linings



Warning

Danger of accidents Worn-out brake linings reduce the braking effect.

- Ensure that worn-out brake linings are replaced immediately. (Your authorized Husqvarna Motorcycles workshop will be glad to help.)



- Check the brake linings for minimum thickness A.

Minimum thickness A	≥ 1 mm (≥ 0.04 in)
---------------------	--------------------

- » If the minimum thickness is less than specified:
 - Change the front brake linings. (📖 p. 92)
- Check the brake linings for damage and cracking.
 - » If damage or wear is encountered:
 - Change the front brake linings. (📖 p. 92)

13.6 Changing the front brake linings ↴



Warning

Danger of accidents Incorrect maintenance will cause the brake system to fail.

- Ensure that service work and repairs are performed professionally. (Your authorized Husqvarna Motorcycles workshop will be glad to help.)



Warning

Skin irritation Brake fluid causes skin irritation.

- Keep brake fluid out of the reach of children.
- Wear suitable protective clothing and safety glasses.
- Do not allow brake fluid to come into contact with the skin, the eyes or clothing.
- Consult a doctor immediately if brake fluid has been swallowed.
- Rinse the affected area with plenty of water in the event of contact with the skin.
- Rinse eyes thoroughly with water immediately and consult a doctor if brake fluid comes into contact with the eyes.
- If brake fluid spills on to your clothing, change the clothing.



Warning

Danger of accidents Old brake fluid reduces the braking effect.

- Make sure that brake fluid for the front and rear brake is changed in accordance with the service schedule. (Your authorized Husqvarna Motorcycles workshop will be glad to help.)



Warning

Danger of accidents Oil or grease on the brake discs reduces the braking effect.

- Always keep the brake discs free of oil and grease.
- Clean the brake discs with brake cleaner when necessary.



Warning

Danger of accidents Brake linings which have not been approved alter the braking efficiency.

Not all brake linings are tested and approved for Husqvarna motorcycles. The structure and friction coefficient of the brake linings, and thus their brake power, may vary greatly from that of original brake linings.

If brake linings are used that differ from the original equipment, compliance with the original homologation is not guaranteed. In this case, the vehicle no longer corresponds to its condition at delivery and the warranty shall be void.

- Only use brake linings approved and recommended by Husqvarna motorcycles.



Warning

Environmental hazard Hazardous substances cause environmental damage.

- Dispose of oils, grease, filters, fuel, cleaning agents, brake fluid, etc., correctly and in compliance with the applicable regulations.

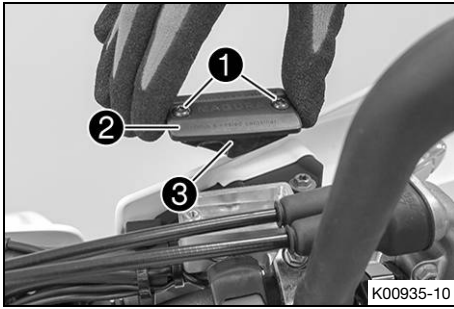


Info

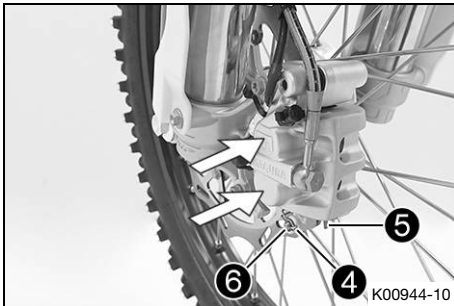
Never use DOT 5 brake fluid. It is silicone-based and purple in color. Oil seals and brake lines are not designed for DOT 5 brake fluid.

Avoid contact between brake fluid and painted parts. Brake fluid attacks paint.

Only use clean brake fluid from a sealed container.



- Move the brake fluid reservoir mounted on the handlebar to a horizontal position.
- Remove screws ①.
- Remove cover ② with membrane ③.



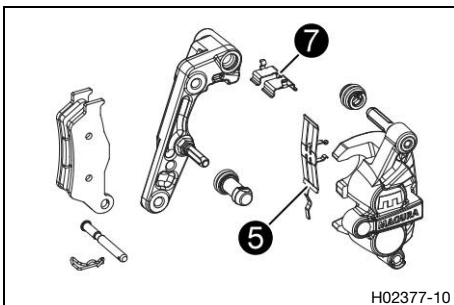
- Manually press the brake caliper toward the brake disc to push back the brake pistons. Ensure that brake fluid does not flow out of the brake fluid reservoir, if necessary extract excess.



Info

Make sure that you do not press the brake caliper against the spokes when pushing back the brake pistons.

- Remove cotter pin ④.
- Push leaf spring ⑤ upwards and remove pin ⑥.
- Remove brake linings.
- Clean the brake caliper and brake caliper support.
- Check that leaf spring ⑤ in the brake caliper and sliding plate ⑦ in the brake caliper support are seated correctly.



- Insert the new brake linings.
- Mount pin ⑥.
- ✓ Leaf spring ⑤ engages in the groove on the pin.

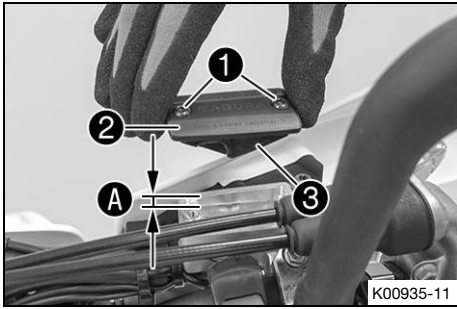


Info

Always change the brake linings in pairs.



- Mount cotter pins ④.
- Operate the hand brake lever repeatedly until the brake linings are in contact with the brake disc and there is a pressure point.



- Add brake fluid up to level **A**.

Guideline

Level A (brake fluid level below reservoir rim)	5 mm (0.2 in)
--------------------------------------------------------	---------------

Brake fluid DOT 4 (📖 p. 152)

- Position cover **2** with membrane **3**.
- Mount and tighten screws **1**.



Info

Clean up overflowed or spilled brake fluid immediately with water.

13.7 Checking the free travel of the foot brake lever

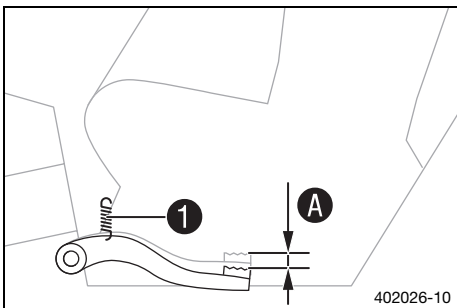


Warning

Danger of accidents The brake system fails in the event of overheating.

If there is no free travel on the foot brake lever, pressure builds up in the brake system on the rear brake.

- Set the free travel on the foot brake lever in accordance with the specification.



- Disconnect spring **1**.
- Move the foot brake lever backwards and forwards between the end stop and the foot brake cylinder piston bracket and check free travel **A**.

Guideline

Free travel of foot brake lever	3 ... 5 mm (0.12 ... 0.2 in)
---------------------------------	------------------------------

» If the free travel does not meet specifications:

- Adjust the basic position of the foot brake lever. 🗨️ (📖 p. 94)
- Reconnect spring **1**.

13.8 Adjusting the basic position of the foot brake lever 🗨️

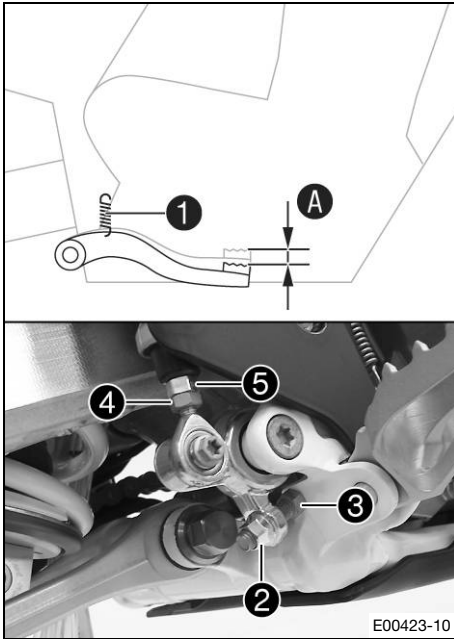


Warning

Danger of accidents The brake system fails in the event of overheating.

If there is no free travel on the foot brake lever, pressure builds up in the brake system on the rear brake.

- Set the free travel on the foot brake lever in accordance with the specification.



- Disconnect spring ①.
- Loosen nut ④ and turn it back with push rod ⑤ until you have maximum free travel.
- To adjust the basic position of the foot brake lever individually, loosen nut ②, and turn screw ③ accordingly.



Info

The range of adjustment is limited.

- Turn push rod ⑤ accordingly until you have free travel A. If necessary, adjust the basic position of the foot brake lever.

Guideline

Free travel of foot brake lever	3 ... 5 mm (0.12 ... 0.2 in)
---------------------------------	------------------------------

- Hold screw ③ and tighten nut ②.

Guideline

Nut, foot brake lever stop	M8	20 Nm (14.8 lbf ft)
----------------------------	----	---------------------

- Hold push rod ⑤ and tighten nut ④.

Guideline

Remaining nuts, chassis	M6	10 Nm (7.4 lbf ft)
-------------------------	----	--------------------

- Reconnect spring ①.



13.9 Checking the rear brake fluid level



Warning

Danger of accidents An insufficient brake fluid level will cause the brake system to fail.

If the brake fluid level drops below the specified marking or the specified value, the brake system is leaking or the brake linings are worn down.

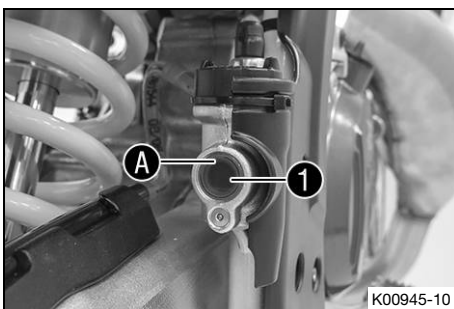
- Check the brake system and do not continue riding until the problem is eliminated. (Your authorized Husqvarna Motorcycles workshop will be glad to help.)



Warning

Danger of accidents Old brake fluid reduces the braking effect.

- Make sure that brake fluid for the front and rear brake is changed in accordance with the service schedule. (Your authorized Husqvarna Motorcycles workshop will be glad to help.)



- Stand the vehicle upright.
- Check the brake fluid level in viewer ①.
 - » If the brake fluid level has dropped below marking A:
 - Add rear brake fluid. 🛠️ (p. 96)



13.10 Adding rear brake fluid ↴



Warning

Danger of accidents An insufficient brake fluid level will cause the brake system to fail.

If the brake fluid level drops below the specified marking or the specified value, the brake system is leaking or the brake linings are worn down.

- Check the brake system and do not continue riding until the problem is eliminated. (Your authorized Husqvarna Motorcycles workshop will be glad to help.)



Warning

Skin irritation Brake fluid causes skin irritation.

- Keep brake fluid out of the reach of children.
- Wear suitable protective clothing and safety glasses.
- Do not allow brake fluid to come into contact with the skin, the eyes or clothing.
- Consult a doctor immediately if brake fluid has been swallowed.
- Rinse the affected area with plenty of water in the event of contact with the skin.
- Rinse eyes thoroughly with water immediately and consult a doctor if brake fluid comes into contact with the eyes.
- If brake fluid spills on to your clothing, change the clothing.



Warning

Danger of accidents Old brake fluid reduces the braking effect.

- Make sure that brake fluid for the front and rear brake is changed in accordance with the service schedule. (Your authorized Husqvarna Motorcycles workshop will be glad to help.)



Warning

Environmental hazard Hazardous substances cause environmental damage.

- Dispose of oils, grease, filters, fuel, cleaning agents, brake fluid, etc., correctly and in compliance with the applicable regulations.



Info

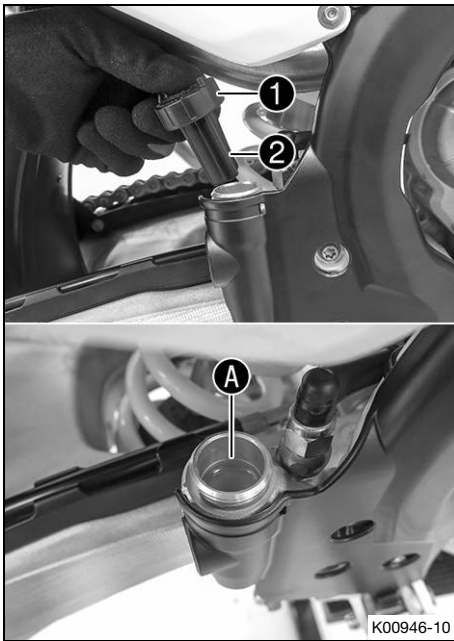
Never use DOT 5 brake fluid. It is silicone-based and purple in color. Oil seals and brake lines are not designed for DOT 5 brake fluid.

Avoid contact between brake fluid and painted parts. Brake fluid attacks paint.

Only use clean brake fluid from a sealed container.

Preparatory work

- Check the brake linings of the rear brake. (📖 p. 97)



Main work

- Stand the vehicle upright.
- Remove the cable ties on the frame protector.
- Remove screw cap ① with membrane ② and the shim.
- Add brake fluid to level A.

Brake fluid DOT 4 (📖 p. 152)

- Mount and tighten screw cap with the membrane and the shim.



Info

Clean up overflowed or spilled brake fluid immediately with water.

- Mount new cable ties on the frame protector.



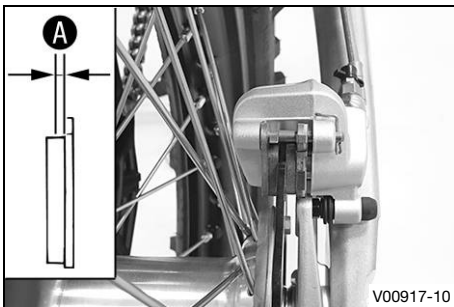
13.11 Checking the brake linings of the rear brake



Warning

Danger of accidents Worn-out brake linings reduce the braking effect.

- Ensure that worn-out brake linings are replaced immediately. (Your authorized Husqvarna Motorcycles workshop will be glad to help.)



- Check the brake linings for minimum thickness A.

Minimum thickness A	≥ 1 mm (≥ 0.04 in)
---------------------	--------------------

- » If the minimum thickness is less than specified:
 - Change the rear brake linings. 🛠️ (📖 p. 97)
- Check the brake linings for damage and cracking.
 - » If damage or wear is encountered:
 - Change the rear brake linings. 🛠️ (📖 p. 97)



13.12 Changing the rear brake linings 🛠️



Warning

Danger of accidents Incorrect maintenance will cause the brake system to fail.

- Ensure that service work and repairs are performed professionally. (Your authorized Husqvarna Motorcycles workshop will be glad to help.)



Warning

Skin irritation Brake fluid causes skin irritation.

- Keep brake fluid out of the reach of children.
- Wear suitable protective clothing and safety glasses.
- Do not allow brake fluid to come into contact with the skin, the eyes or clothing.
- Consult a doctor immediately if brake fluid has been swallowed.
- Rinse the affected area with plenty of water in the event of contact with the skin.
- Rinse eyes thoroughly with water immediately and consult a doctor if brake fluid comes into contact with the eyes.
- If brake fluid spills on to your clothing, change the clothing.



Warning

Danger of accidents Old brake fluid reduces the braking effect.

- Make sure that brake fluid for the front and rear brake is changed in accordance with the service schedule. (Your authorized Husqvarna Motorcycles workshop will be glad to help.)



Warning

Danger of accidents Oil or grease on the brake discs reduces the braking effect.

- Always keep the brake discs free of oil and grease.
- Clean the brake discs with brake cleaner when necessary.



Warning

Danger of accidents Brake linings which have not been approved alter the braking efficiency.

Not all brake linings are tested and approved for Husqvarna motorcycles. The structure and friction coefficient of the brake linings, and thus their brake power, may vary greatly from that of original brake linings.

If brake linings are used that differ from the original equipment, compliance with the original homologation is not guaranteed. In this case, the vehicle no longer corresponds to its condition at delivery and the warranty shall be void.

- Only use brake linings approved and recommended by Husqvarna motorcycles.



Warning

Environmental hazard Hazardous substances cause environmental damage.

- Dispose of oils, grease, filters, fuel, cleaning agents, brake fluid, etc., correctly and in compliance with the applicable regulations.

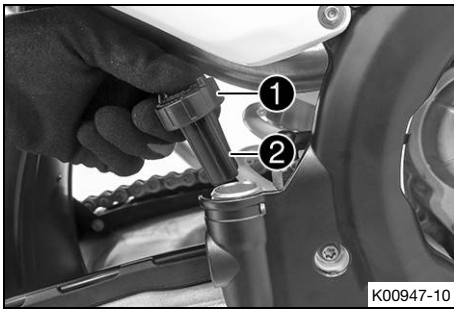


Info

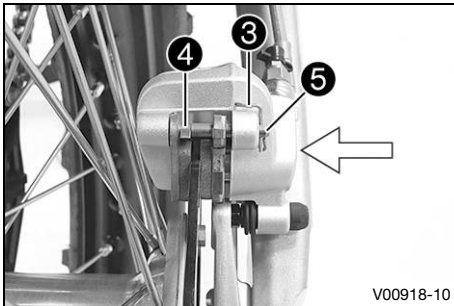
Never use DOT 5 brake fluid. It is silicone-based and purple in color. Oil seals and brake lines are not designed for DOT 5 brake fluid.

Avoid contact between brake fluid and painted parts. Brake fluid attacks paint.

Only use clean brake fluid from a sealed container.



- Stand the vehicle upright.
- Remove the cable ties on the frame protector.
- Remove screw cap ① with membrane ② and the shim.



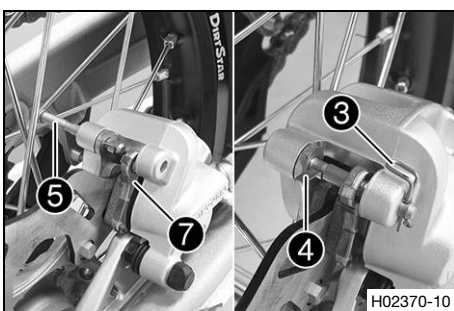
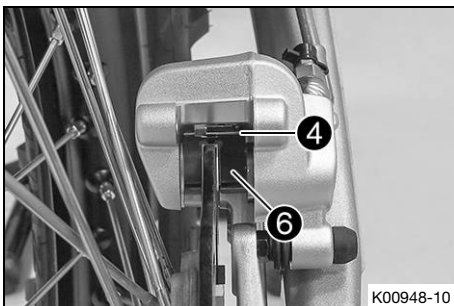
- Manually press the brake caliper to the brake disc to push back the brake piston. Ensure that brake fluid does not flow out of the brake fluid reservoir, extracting it by suction if it does.



Info

Make sure when pushing back the brake piston that you do not press the brake caliper against the spokes.

- Remove cotter pin ③.
- Push leaf spring ④ downwards and remove pin ⑤.
- Remove the brake linings.
- Clean the brake caliper and brake caliper support.
- Check that leaf spring ④ in the brake caliper and sliding plate ⑥ in the brake caliper support are seated correctly.



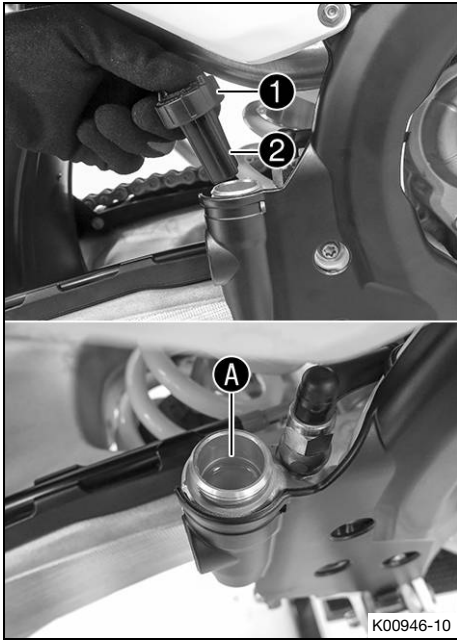
- Insert the new brake linings.
- Mount pin ⑤.
- ✓ Leaf spring ④ engages in the groove on the pin.



Info

Always change the brake linings in pairs. Make sure that decoupling plate ⑦ is mounted on the piston side brake lining.

- Mount cotter pins ③.
- Operate the foot brake lever repeatedly until the brake linings are in contact with the brake disc and there is a pressure point.



- Add brake fluid to level **A**.

Brake fluid DOT 4 (📖 p. 152)

- Mount and tighten screw cap **1** with membrane **2** and the shim.



Info

Clean up overflowed or spilled brake fluid immediately with water.

- Mount new cable ties on the frame protector.

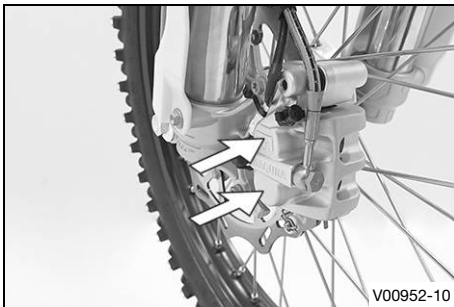
14.1 Removing the front wheel

Preparatory work

- Raise the motorcycle with a lift stand. (📖 p. 56)

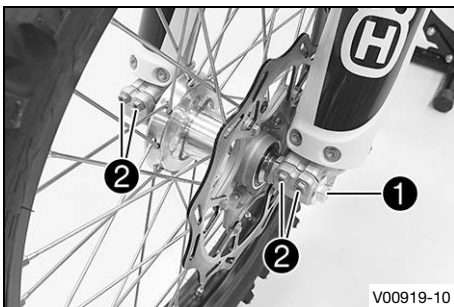
Main work

- Press the brake caliper onto the brake disc by hand in order to push back the brake pistons.

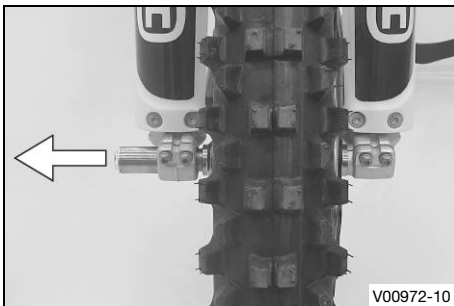


Info

Make sure that you do not press the brake caliper against the spokes when pushing back the brake pistons.



- Loosen screw ① by several rotations.
- Loosen screws ②.
- Press on screw ① to push the wheel spindle out of the axle clamp.
- Remove screw ①.



Warning

Danger of accidents Damaged brake discs reduce the braking effect.

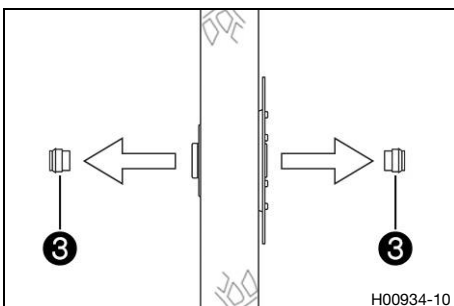
- Always lay the wheel down in such a way that the brake disc is not damaged.

- Holding the front wheel, withdraw the wheel spindle. Take the front wheel out of the fork.



Info

Do not pull the hand brake lever when the front wheel is removed.



- Remove spacers ③.

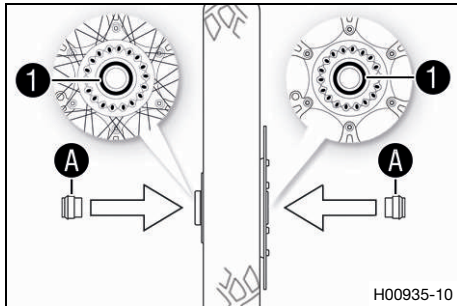
14.2 Installing the front wheel



Warning

Danger of accidents Oil or grease on the brake discs reduces the braking effect.

- Always keep the brake discs free of oil and grease.
- Clean the brake discs with brake cleaner when necessary.

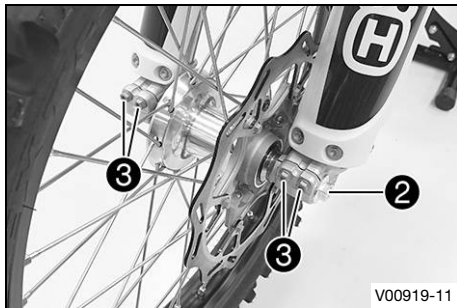


- Check the wheel bearing for damage and wear.
 - » If the wheel bearing is damaged or worn:
 - Change front wheel bearing.
- Clean and grease shaft seal rings **1** and contact surface **A** of the spacers.

Long-life grease (p. 154)

- Insert the spacers.
- Clean and grease the wheel spindle.

Long-life grease (p. 154)



- Lift the front wheel into the fork, position it, and insert the wheel spindle.
 - ✓ The brake linings are correctly positioned.
- Mount and tighten screw **2**.

Guideline

Screw, front wheel spindle	M20x1.5	35 Nm (25.8 lbf ft)
----------------------------	---------	---------------------

- Operate the hand brake lever several times until the brake linings are seated correctly against the brake disc.
- Remove the motorcycle from the lift stand. (p. 56)
- Operate the front brake and compress the fork a few times firmly.
 - ✓ The fork legs straighten.
- Tighten screws **3**.

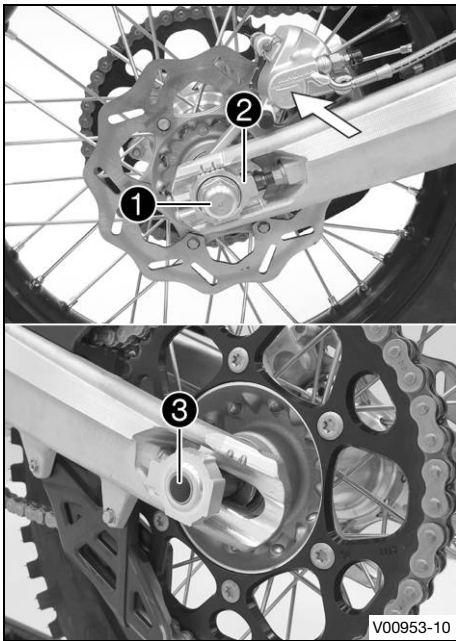
Guideline

Screw, fork stub	M8	15 Nm (11.1 lbf ft)
------------------	----	---------------------

14.3 Removing the rear wheel

Preparatory work

- Raise the motorcycle with a lift stand. (p. 56)



Main work

- Press the brake caliper onto the brake disc by hand in order to push back the brake piston.



Info

Make sure when pushing back the brake piston that you do not press the brake caliper against the spokes.

- Remove nut ①.
- Remove chain adjuster ②. Pull out wheel spindle ③ far enough to allow the rear wheel to be pushed forward.
- Push the rear wheel forward as far as possible. Remove the chain from the rear sprocket.



Info

Cover the components to protect them against damage.



Warning

Danger of accidents Damaged brake discs reduce the braking effect.

- Always lay the wheel down in such a way that the brake disc is not damaged.

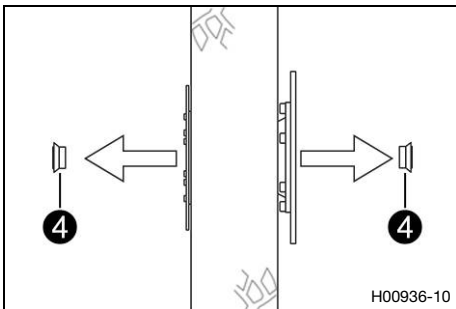
- Holding the rear wheel, withdraw the wheel spindle. Take the rear wheel out of the swingarm.



Info

Do not operate the foot brake lever when the rear wheel is removed.

- Remove spacers ④.



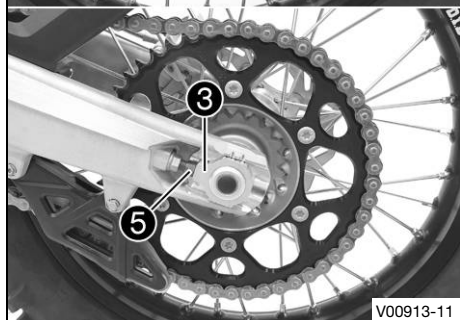
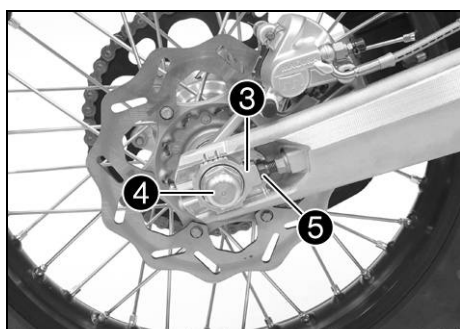
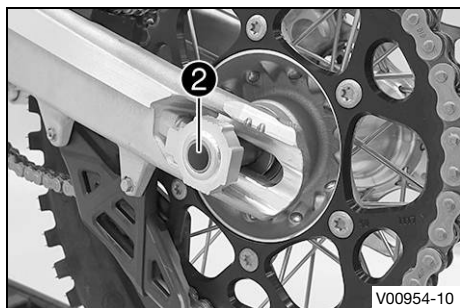
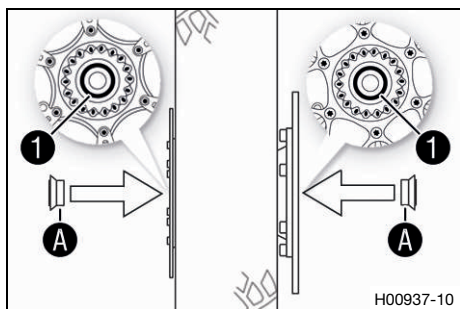
14.4 Installing the rear wheel



Warning

Danger of accidents Oil or grease on the brake discs reduces the braking effect.

- Always keep the brake discs free of oil and grease.
- Clean the brake discs with brake cleaner when necessary.



Main work

- Check the wheel bearing for damage and wear.
 - » If the wheel bearing is damaged or worn:
 - Change the rear wheel bearing. 🛠️
- Clean and grease shaft seal rings **1** and contact surface **A** of the spacers.

Long-life grease (📖 p. 154)
- Insert the spacers.
- Clean and grease the wheel spindle.

Long-life grease (📖 p. 154)
- Position the rear wheel and insert wheel spindle **2**.
 - ✓ The brake linings are correctly positioned.
- Mount the chain.

- Position chain adjuster **3**. Mount nut **4**, but do not tighten it yet.
- Make sure that chain adjusters **3** are fitted correctly on adjusting screws **5**.
- Check the chain tension. (📖 p. 79)
- Tighten nut **4**.

Guideline

Nut, rear wheel spindle	M20x1.5	80 Nm (59 lbf ft)
-------------------------	---------	-------------------

Info

The wide adjustment range of the chain adjusters (32 mm (1.26 in)) enables different secondary ratios with the same chain length.
Chain adjusters **3** can be turned by 180°.

- Operate the foot brake lever repeatedly until the brake linings are in contact with the brake disc and there is a pressure point.

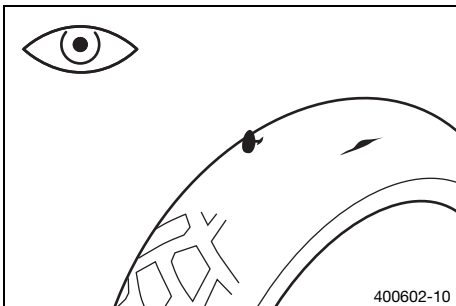
Finishing work

- Remove the motorcycle from the lift stand. (📖 p. 56)

14.5 Checking the tire condition

i Info

Only mount tires approved and/or recommended by Husqvarna Motorcycles. Other tires could have a negative effect on handling characteristics. The type, condition, and air pressure of the tires all have a major impact on the handling of the motorcycle. The tires mounted on the front and rear wheels must have a similar profile. Worn tires have a negative effect on handling characteristics, especially on wet surfaces.



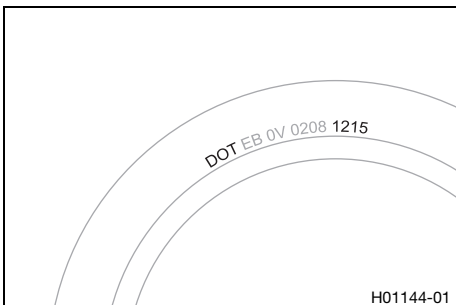
- Check the front and rear tires for cuts, run-in objects, and other damage.
 - » If the tires have cuts, run-in objects, or other damage:
 - Change the tires. 🛠️
- Check the tread depth.

i Info

Adhere to the legally required minimum tread depth.

Minimum tread depth	≥ 2 mm (≥ 0.08 in)
---------------------	--------------------

- » If the tread depth is less than the minimum tread depth:
 - Change the tires. 🛠️
- Check the tire age.



i Info

The tire date of manufacture is usually contained in the tire label and is indicated by the last four digits of the **DOT** number. The first two digits indicate the week of manufacture and the last two digits the year of manufacture. Husqvarna Motorcycles recommends that the tires be changed after 5 years at the latest, regardless of the actual state of wear.

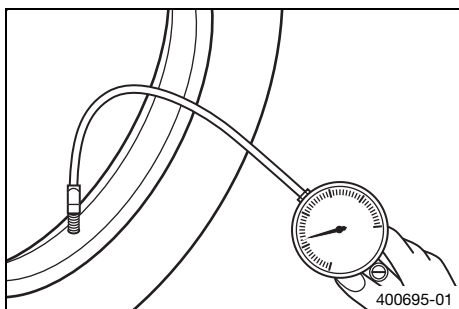
- » If the tires are more than 5 years old:
 - Change the tires. 🛠️



14.6 Checking the tire air pressure

i Info

Low tire air pressure leads to abnormal wear and overheating of the tire. Correct tire air pressure ensures optimal riding comfort and maximum tire service life.



- Remove the dust cap.
- Check the tire air pressure when the tires are cold.

Tire air pressure, off-road	
front	1.0 bar (15 psi)
rear	1.0 bar (15 psi)

Tire air pressure, road (All EU models)	
front	1.5 bar (22 psi)
rear	1.5 bar (22 psi)

- » If the tire pressure does not meet specifications:
 - Correct the tire pressure.
- Mount the dust cap.

14.7 Checking spoke tension

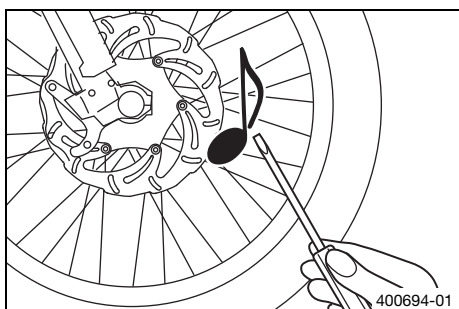


Warning

Danger of accidents Incorrectly tensioned spokes impair the handling characteristic and result in secondary damage.

The spokes break due to being overloaded if they are too tightly tensioned. If the tension in the spokes is too low, then lateral and radial run-out will form in the wheel. Other spokes will become looser as a result.

- Check spoke tension regularly, and in particular on a new vehicle. (Your authorized Husqvarna Motorcycles workshop will be glad to help.)



- Strike each spoke briefly using a screwdriver blade.

Info

The frequency of the sound depends on the spoke length and spoke diameter. If you hear different tone frequencies from different spokes of equal length and diameter, this is an indication of different spoke tensions.

You should hear a high note.

- » If the spoke tension differs:
 - Correct the spoke tension. 🛠️
- Check the spoke torque.

Guideline

Spoke nipple, front wheel	M4.5	6 Nm (4.4 lbf ft)
Spoke nipple, rear wheel	M4.5	6 Nm (4.4 lbf ft)

Torque wrench set (58429094000)

15.1 Removing the battery ↗



Warning

Risk of injury Batteries contain harmful substances.

- Keep batteries out of the reach of children.
- Keep sparks and open flames away from the batteries.
- Only charge batteries in well-ventilated rooms.
- Maintain a minimum clearance from inflammable materials when charging batteries.
Minimum clearance 1 m (3 ft)
- Do not charge deeply discharged batteries if charge is already below the minimum voltage.
Minimum voltage before the start of the charge 9 V
- Dispose of batteries with less than the minimum voltage correctly.

Preparatory work

(All EU models)

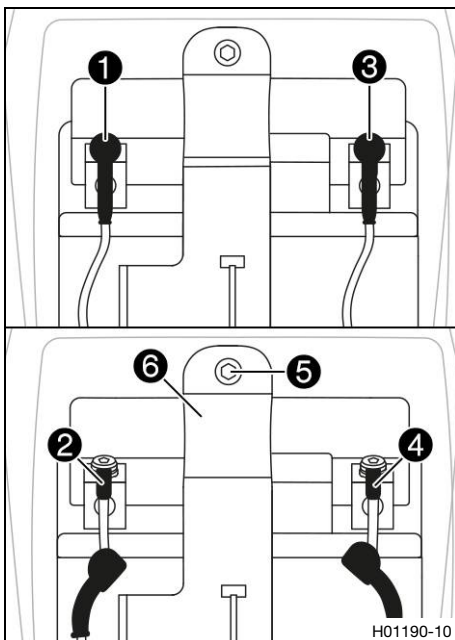
- Press and hold the kill switch ☒ while the engine is idling until the engine stops.

(TE 250i US)

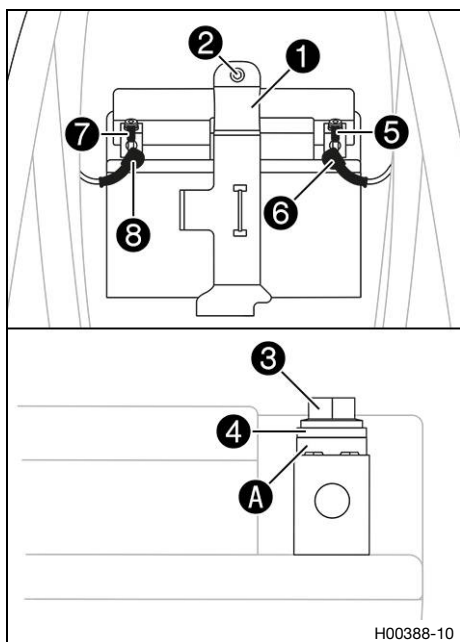
- Press and hold the kill switch ☒ while the engine is idling until the engine stops.
- Remove the air filter box cover. (📖 p. 69)
- Remove the seat. (📖 p. 68)

Main work

- Pull back the negative terminal cover ❶ and disconnect negative cable ❷ from the battery.
- Pull back the positive terminal cover ❸ and disconnect positive cable ❹ from the battery.
- Remove screw ❺.
- Pull holding bracket ❻ forward and remove battery toward the top.



15.2 Installing the battery



Main work

- Insert the battery into the battery compartment with the terminals facing forward and secure with holding bracket **1**.

Battery (HJTZ5S-FP) (p. 148)

- Mount and tighten screw **2**.

Guideline

Remaining screws, chassis	M6	10 Nm (7.4 lbf ft)
---------------------------	----	--------------------

- Connect positive cable **5** to the battery.

Guideline

Screw, battery terminal	M5	2.5 Nm (1.84 lbf ft)
-------------------------	----	----------------------

Contact disks **A** must be mounted under the screw **3** and the cable lug **4** with the claws toward the battery terminal.

- Slide positive terminal cover **6** over the positive terminal.

- Connect negative cable **7** to the battery.

Guideline

Screw, battery terminal	M5	2.5 Nm (1.84 lbf ft)
-------------------------	----	----------------------

Contact disks **A** must be mounted under the screw **3** and the cable lug **4** with the claws toward the battery terminal.

- Slide negative terminal cover **8** over the negative terminal.

Finishing work

- Mount the seat. (p. 69)
- Install the air filter box cover. (p. 70)

15.3 Recharging the battery



Warning

Risk of injury Batteries contain harmful substances.

- Keep batteries out of the reach of children.
- Keep sparks and open flames away from the batteries.
- Only charge batteries in well-ventilated rooms.
- Maintain a minimum clearance from inflammable materials when charging batteries.
Minimum clearance 1 m (3 ft)
- Do not charge deeply discharged batteries if charge is already below the minimum voltage.
Minimum voltage before the start of the charge 9 V
- Dispose of batteries with less than the minimum voltage correctly.



Warning

Environmental hazard Batteries contain environmentally-hazardous materials.

- Do not dispose of batteries as household waste.
- Dispose of batteries at a collection point for used batteries.



Warning

Environmental hazard Hazardous substances cause environmental damage.

- Dispose of oils, grease, filters, fuel, cleaning agents, brake fluid, etc., correctly and in compliance with the applicable regulations.



Info

Even when there is no load on the battery, it discharges steadily.

The charging level and the method of charging are very important for the service life of the battery.

Rapid recharging with a high charging current shortens the service life of the battery.

If the charging current or charging voltage are exceeded, the battery will be destroyed.


If the battery is depleted by repeated starting, the battery must be charged immediately.

If the battery is left in a discharged state for an extended period, it will become over-discharged and sulfated, destroying the battery.






The battery is maintenance-free.

Preparatory work

(All EU models)

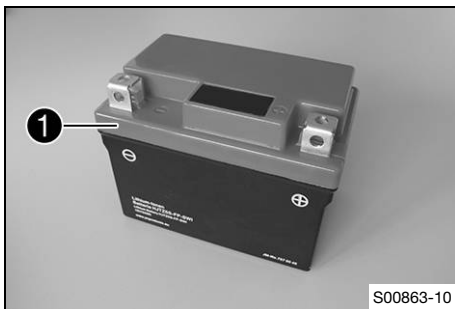
- Press and hold the kill switch  while the engine is idling until the engine stops.

(TE 250i US)

- Press and hold the kill switch  while the engine is idling until the engine stops.
- Remove the air filter box cover. ( p. 69)
- Remove the seat. ( p. 68)
- Remove the battery.  ( p. 107)

Main work

- Check the battery voltage.
 - » Battery voltage: < 9 V
 - Do not charge the battery.
 - Replace the battery and dispose of the old battery properly.
 - » If the specifications have been met:
 - Battery voltage: ≥ 9 V
 - Connect the battery charger to the battery. Switch on the battery charger.



Guideline

The battery charger must be suitable for lithium-ion batteries.	
Maximum charging voltage	14.4 V
Maximum charging current	3.0 A
Charge the battery regularly when the motorcycle is not in use	6 months
Ideal charging and storage temperature of the lithium-ion battery	10 ... 20 °C (50 ... 68 °F)



Info

If the charging current or charging voltage are exceeded, the battery will be destroyed. If the battery is left in a discharged state for an extended period, it will become over-discharged and sulfated, destroying the battery. The battery is maintenance-free. Never remove cover ❶.

- Switch off the battery charger after charging and disconnect from the battery.

Finishing work

- Install the battery. (📖 p. 108)
- Mount the seat. (📖 p. 69)
- Install the air filter box cover. (📖 p. 70)

15.4 Changing the main fuse



Warning

Fire hazard Incorrect fuses overload the electrical system.

- Only use fuses with the required ampere value.
- Do not bypass or repair fuses.



Info

The main fuse protects all power consumers of the vehicle.

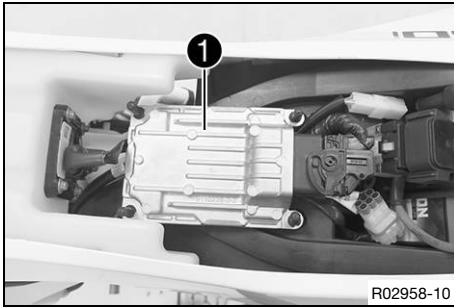
Preparatory work

(All EU models)

- Press and hold the kill switch ☒ while the engine is idling until the engine stops.

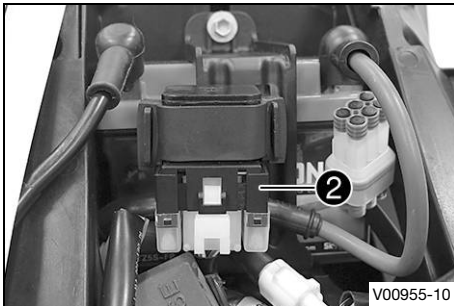
(TE 250i US)

- Press and hold the kill switch ☒ while the engine is idling until the engine stops.
- Remove the air filter box cover. (📖 p. 69)
- Remove the seat. (📖 p. 68)

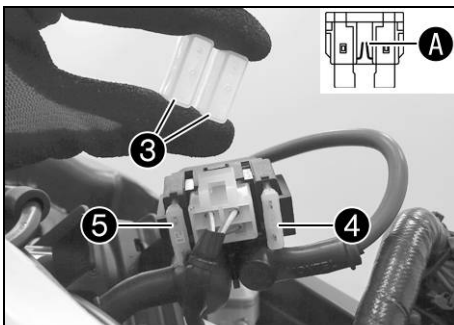


Main work

- Pull the EFI control unit **1** upward off the rubber plugs and hang to the side.



- Pull starter relay **2** from the holder.



- Take off protection caps **3**.
- Remove faulty main fuse **4**.



Info

You can recognize a faulty fuse by a burned-out fuse wire **A**.

A spare fuse **5** is located in the starter relay.

- Install a new main fuse.

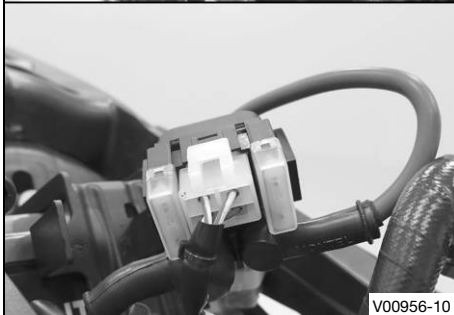
Fuse (58011109120) (📖 p. 148)

- Check that the electrical system is functioning properly.

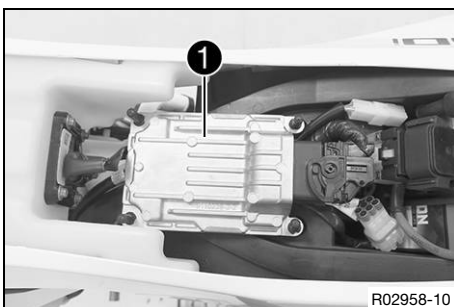


Tip

Insert a spare fuse so that it is available if needed.



- Attach the protection caps **3**.
- Mount the starter relay **2** onto the holder and route the cable.



- Mount the EFI control unit **1** on the rubber lugs.

Finishing work

- Mount the seat. (📖 p. 69)
- Install the air filter box cover. (📖 p. 70)

15.5 Changing the fuses of individual power consumers

i Info

The fuse box containing the fuses of individual power consumers is located under the seat.

Preparatory work

(All EU models)

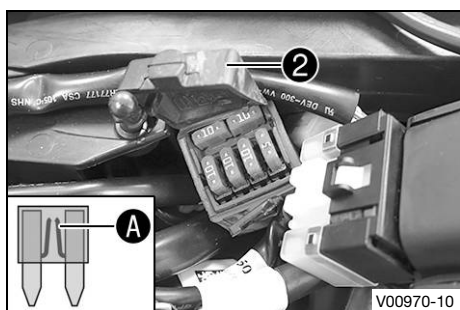
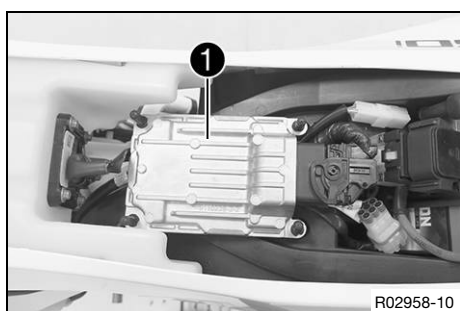
- Press and hold the kill switch ☒ while the engine is idling until the engine stops.

(TE 250i US)

- Press and hold the kill switch ☒ while the engine is idling until the engine stops.
- Remove the air filter box cover. (📖 p. 69)
- Remove the seat. (📖 p. 68)

Main work

- Pull the EFI control unit ❶ upward off the rubber plugs and hang to the side.



- Open fuse box cover ❷.
- Remove the defective fuse.

Guideline

(All EU models)

Fuse 1 - 10 A - EFI control unit, lambda sensor, oil pump, combination instrument, fuel injection, diagnostics connector

Fuse 2 - 10 A - horn, brake light, radiator fan (optional), turn signal (optional)

Fuse 3 - 10 A - high beam, low beam, parking light, tail light, license plate lamp

Fuse 4 - 5 A - fuel pump

(TE 250i US)

Fuse 1 - 10 A - EFI control unit, oil pump, combination instrument, fuel injection, diagnostics connector

Fuse 2 - 10 A - radiator fan (optional)

Fuse 3 - 10 A - low beam, parking light, tail light

Fuse 4 - 5 A - fuel pump

Fuses res - 10 A - spare fuse

i Info

You can recognize a faulty fuse by a burned-out fuse wire ❸.



Warning

Fire hazard Incorrect fuses overload the electrical system.

- Only use fuses with the required ampere value.
- Do not bypass or repair fuses.

- Use spare fuses with the correct rating only.

Fuse (75011088010) (📖 p. 148)

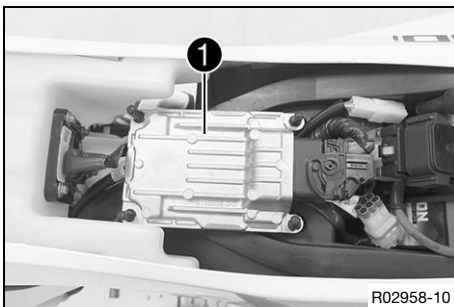
Fuse (75011088005) (📖 p. 148)



Tip

Replace the spare fuse in the fuse box so that it is available if needed.

- Check that the power consumer is functioning properly.
- Close the fuse box cover ②.
- Mount the EFI control unit ① on the rubber lugs.

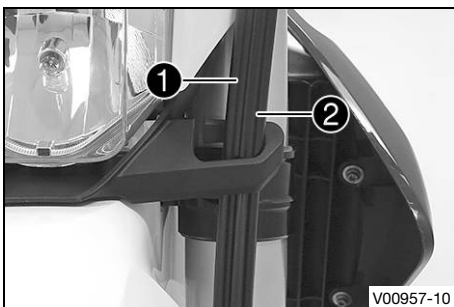


Finishing work

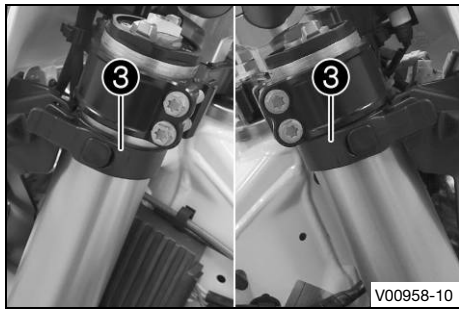
- Mount the seat. (📖 p. 69)
- Install the air filter box cover. (📖 p. 70)



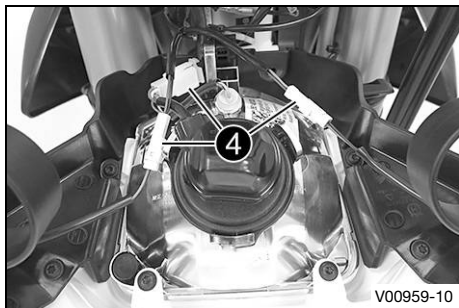
15.6 Removing the headlight mask with the headlight



- Detach brake line ① and wiring harness ②.

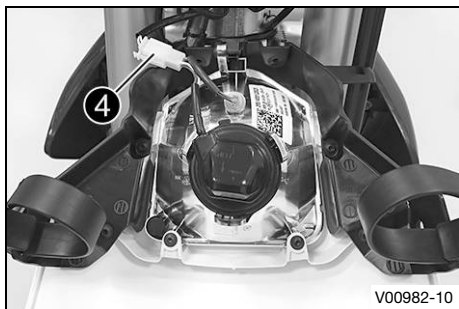


- Release rubber bands ③. Slide the headlight mask up and swing it forward.



(All EU models)

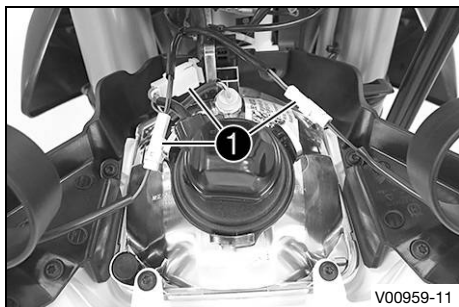
- Detach plug-in connectors ④ and take off the headlight mask with the headlight.



(TE 250i US)

- Detach plug-in connector ④ and take off the headlight mask with the headlight.

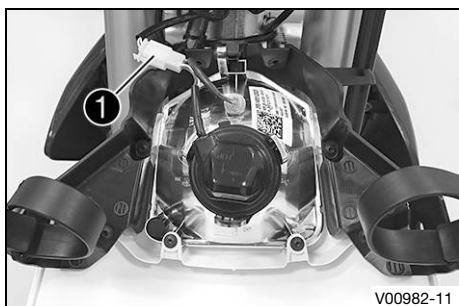
15.7 Installing the headlight mask with the headlight



Main work

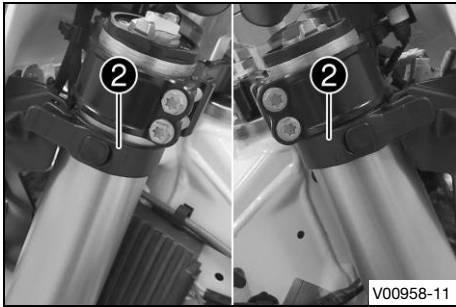
(All EU models)

- Connect plug-in connectors ①.

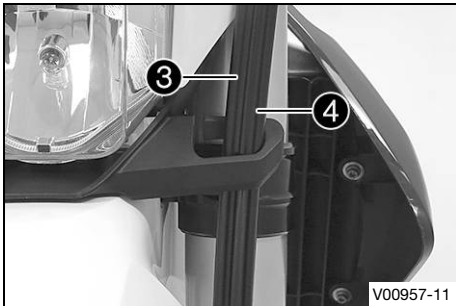


(TE 250i US)

- Connect plug-in connector ①.



- Position the headlight mask and secure it with rubber bands **2**.
- ✓ The holding lugs engage.



- Position brake line **3** and wiring harness **4** in the brake line guide.

Finishing work

- Check the headlight setting. (🗨️ p. 117)

15.8 Changing the headlight bulb

Note

Damage to reflector Grease on the reflector reduces the brightness.

Grease on the bulb will evaporate due to the heat and be deposited on the reflector.

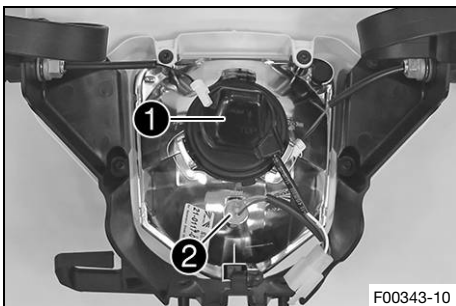
- Clean and degrease the bulbs before mounting.
- Do not touch the bulbs with your bare hands.

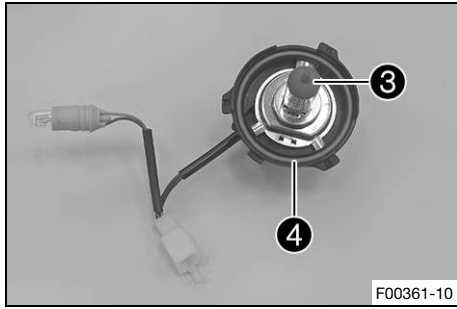
Preparatory work

- Remove the headlight mask with the headlight. (🗨️ p. 113)

Main work

- Turn protection cap **1** together with the underlying bulb socket counterclockwise all the way and remove it.
- Pull bulb socket **2** of the parking light out of the reflector.





- Pull out headlight bulb ③.
 - Insert the new headlight bulb.
- Headlight (HS1/socket BX43t) (📖 p. 148)
- Insert the protection cap with the bulb socket into the reflector and turn it clockwise all the way.
 - ✓ O-ring ④ is correctly positioned.
 - Insert the bulb socket of the parking light into the reflector.

Finishing work

- Install the headlight mask with the headlight. (📖 p. 114)
- Check the headlight setting. (📖 p. 117)

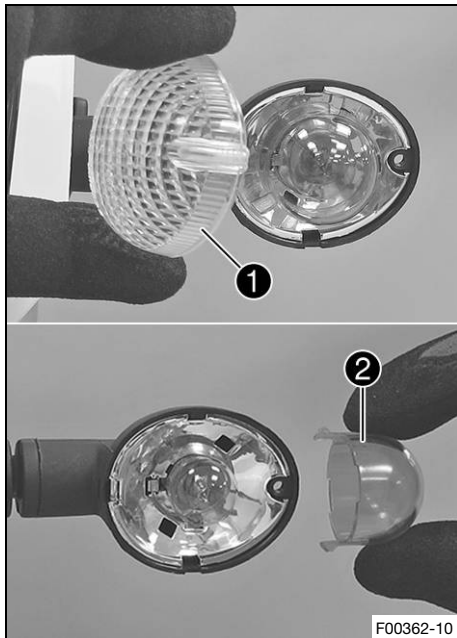
15.9 Changing the turn signal bulb (All EU models)

Note

Damage to reflector Grease on the reflector reduces the brightness.

Grease on the bulb will evaporate due to the heat and be deposited on the reflector.

- Clean and degrease the bulbs before mounting.
- Do not touch the bulbs with your bare hands.



Main work

- Remove the screw on the rear of the turn signal housing.
- Carefully remove turn signal glass ①.
- Lightly squeeze orange cap ② in the area of the holding lugs and take it off.
- Press the turn signal bulb lightly into the socket, turn it counterclockwise by about 30°, and take it out of the socket.

Info

Do not touch the reflector with your fingers and keep it free from grease.

- Press the new turn signal bulb carefully into the socket and turn it clockwise until it stops.

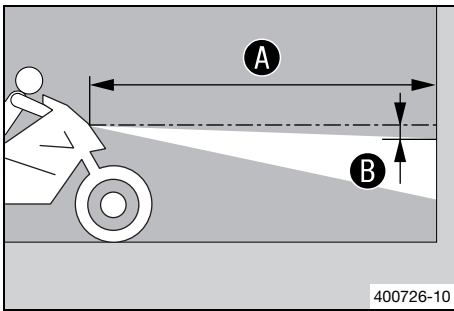
Turn signal (R10W/socket BA15s) (📖 p. 148)

- Mount the orange cap.
- Position the turn signal glass.
- Insert the screw and first turn counterclockwise until it engages in the thread with a small jerk. Tighten the screw lightly.

Finishing work

- Check that the turn signal system is functioning properly.

15.10 Checking the headlight setting



- Position the vehicle upright on a horizontal surface in front of a light wall and make a mark at the height of the center of the low beam headlight.

- Make another mark a distance **B** under the first mark.

Guideline

Distance B	5 cm (2 in)
-------------------	-------------

- Position the vehicle vertically a distance **A** away from the wall.

Guideline

Distance A	5 m (16 ft)
-------------------	-------------

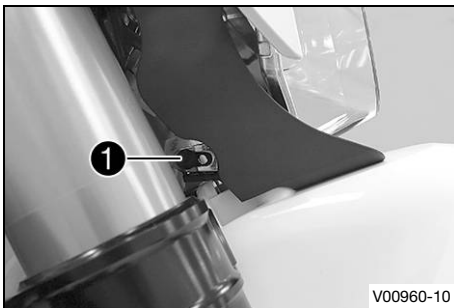
- The rider now sits down on the motorcycle.
- Switch on the low beam.
- Check the headlight setting.

The boundary between light and dark must be exactly on the lower mark for a motorcycle with driver.

- » If the light-dark border does not meet specifications:
 - Adjust the headlight range. (📖 p. 117)



15.11 Adjusting the headlight range



Preparatory work

- Check the headlight setting. (📖 p. 117)

Main work

- Loosen screw **1**.
- Adjust the headlight range by pivoting the headlight.

Guideline

The boundary between light and dark must be exactly on the lower marking for a motorcycle with rider (instructions on how to apply the marking: Checking the headlight setting).



Info

If you have a payload, you may have to correct the headlight range.

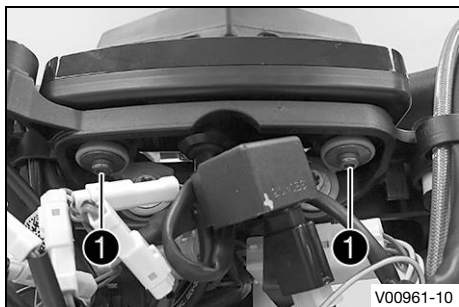
- Tighten screw **1**.



15.12 Changing the combination instrument

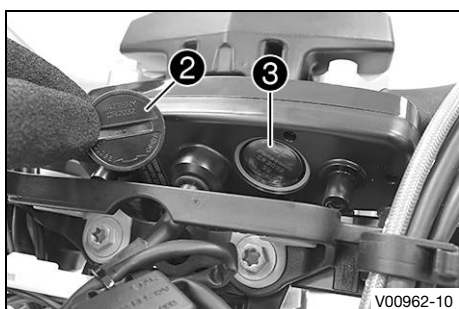
Preparatory work

- Remove the headlight mask with the headlight. (📖 p. 113)



Main work

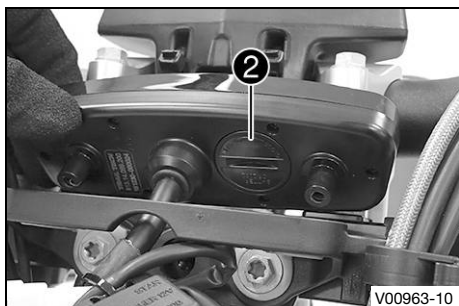
- Remove screws ① with the washers.
- Pull the combination instrument upward out of the holder.



- Using a coin, turn protection cap ② all the way counter-clockwise and remove it.
- Remove combination instrument ③.
- Insert the new battery with the label facing outward.

Combination instrument battery (CR 2032) (📖 p. 148)

- Check the O-ring of the protection cap for correct seating.

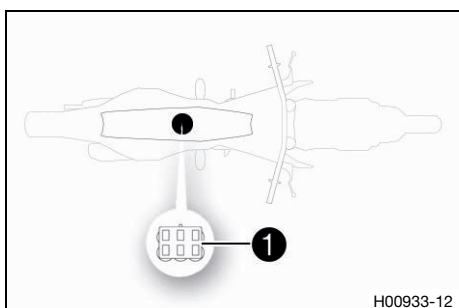


- Position protection cap ② and turn all the way clockwise using a coin.
- Press any button on the combination instrument.
 - ✓ The combination instrument is activated.
- Position the combination instrument in the holder.
- Mount and tighten the screws with washers.

Finishing work

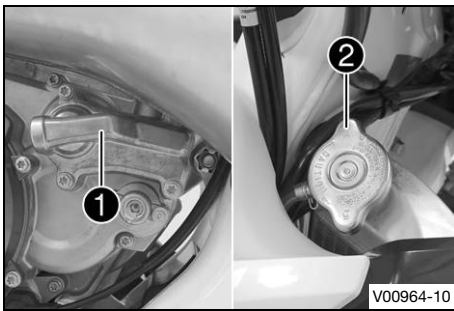
- Install the headlight mask with the headlight. (📖 p. 114)
- Check the headlight setting. (📖 p. 117)
- Adjust the combination instrument. (📖 p. 25)

15.13 Diagnostics connector



Diagnostics connector ① is located under the seat.

16.1 Cooling system



Water pump ① in the engine ensures forced circulation of the coolant.

The pressure resulting from the warming of the cooling system is regulated by a valve in radiator cap ②. This ensures that operating the vehicle at the specified coolant temperature will not result in a risk of malfunctions.

120 °C (248 °F)

Cooling is effected by the air stream.

The lower the speed, the less the cooling effect. Dirty cooling fins also reduce the cooling effect.

16.2 Checking the antifreeze and coolant level



Warning

Danger of scalding During motorcycle operation, the coolant gets very hot and is under pressure.

- Do not open the radiator, the radiator hoses or other cooling system components if the engine or the cooling system are at operating temperature.
- Allow the cooling system and the engine to cool down before you open the radiator, the radiator hoses or other components of the cooling system.
- In the event of scalding, rinse the area affected immediately with lukewarm water.



Warning

Danger of poisoning Coolant is toxic and a health hazard.

- Keep coolant out of the reach of children.
- Do not allow coolant to come into contact with the skin, the eyes and clothing.
- Consult a doctor immediately if coolant is swallowed.
- Rinse the affected area immediately with plenty of water in the event of contact with the skin.
- Rinse eyes thoroughly with water and consult a doctor immediately if coolant gets into the eyes.
- Change clothing if coolant spills onto your clothing.

Condition

The engine is cold.

- Stand the motorcycle upright on a horizontal surface.
- Remove the radiator cap.
- Check the antifreeze in the coolant.

-25 ... -45 °C (-13 ... -49 °F)

» If the antifreeze in the coolant does not match the specified value:

- Correct the antifreeze in the coolant.

- Check the coolant level in the radiator.

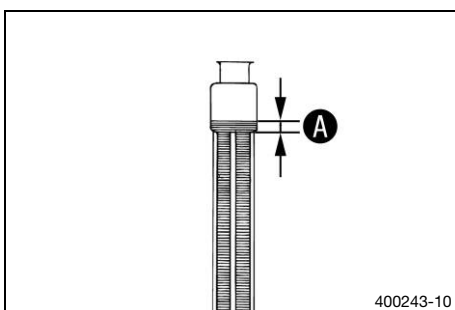
Coolant level ① above the radiator fins	10 mm (0.39 in)
-----------------------------------------	-----------------

» If the coolant level does not match the specified value:

- Correct the coolant level.

Coolant (📖 p. 152)

- Mount the radiator cap.



16.3 Checking the coolant level



Warning

Danger of scalding During motorcycle operation, the coolant gets very hot and is under pressure.

- Do not open the radiator, the radiator hoses or other cooling system components if the engine or the cooling system are at operating temperature.
- Allow the cooling system and the engine to cool down before you open the radiator, the radiator hoses or other components of the cooling system.
- In the event of scalding, rinse the area affected immediately with lukewarm water.



Warning

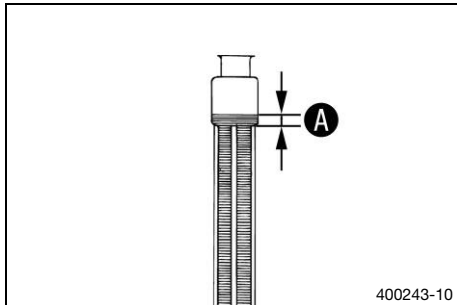
Danger of poisoning Coolant is toxic and a health hazard.

- Keep coolant out of the reach of children.
- Do not allow coolant to come into contact with the skin, the eyes and clothing.
- Consult a doctor immediately if coolant is swallowed.
- Rinse the affected area immediately with plenty of water in the event of contact with the skin.
- Rinse eyes thoroughly with water and consult a doctor immediately if coolant gets into the eyes.
- Change clothing if coolant spills onto your clothing.

Condition

The engine is cold.

- Stand the motorcycle upright on a horizontal surface.
- Remove the radiator cap.
- Check the coolant level in the radiator.



Coolant level A above the radiator fins	10 mm (0.39 in)
------------------------------------------------	-----------------

- » If the coolant level does not match the specified value:
 - Correct the coolant level.

Coolant (🗨️ p. 152)

- Mount the radiator cap.

16.4 Draining the coolant 🗨️



Warning

Danger of scalding During motorcycle operation, the coolant gets very hot and is under pressure.

- Do not open the radiator, the radiator hoses or other cooling system components if the engine or the cooling system are at operating temperature.
- Allow the cooling system and the engine to cool down before you open the radiator, the radiator hoses or other components of the cooling system.
- In the event of scalding, rinse the area affected immediately with lukewarm water.



Warning

Danger of poisoning Coolant is toxic and a health hazard.

- Keep coolant out of the reach of children.
- Do not allow coolant to come into contact with the skin, the eyes and clothing.
- Consult a doctor immediately if coolant is swallowed.
- Rinse the affected area immediately with plenty of water in the event of contact with the skin.
- Rinse eyes thoroughly with water and consult a doctor immediately if coolant gets into the eyes.
- Change clothing if coolant spills onto your clothing.

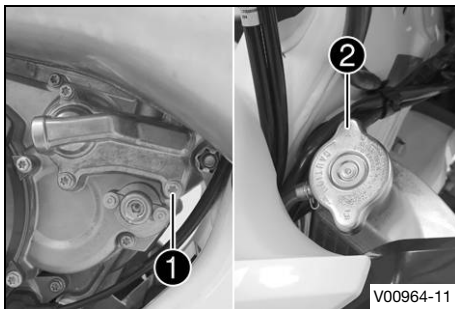
Condition

The engine is cold.

- Position the motorcycle upright.
- Place a suitable container under the water pump cover.
- Remove screw ❶. Take off radiator cap ❷.
- Completely drain the coolant.
- Mount and tighten screw ❶ with a new seal ring.

Guideline

Screw, water pump cover	M6	10 Nm (7.4 lbf ft)
-------------------------	----	--------------------



16.5 Refilling with coolant



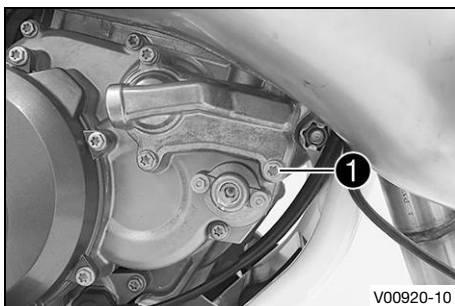
Warning

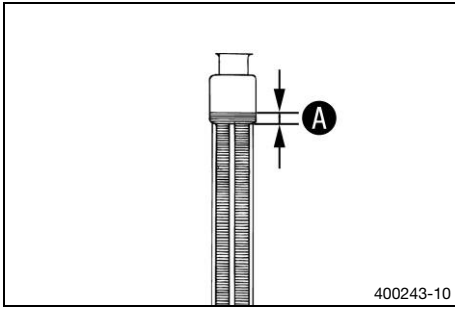
Danger of poisoning Coolant is toxic and a health hazard.

- Keep coolant out of the reach of children.
- Do not allow coolant to come into contact with the skin, the eyes and clothing.
- Consult a doctor immediately if coolant is swallowed.
- Rinse the affected area immediately with plenty of water in the event of contact with the skin.
- Rinse eyes thoroughly with water and consult a doctor immediately if coolant gets into the eyes.
- Change clothing if coolant spills onto your clothing.

Main work

- Make sure that screw ❶ is tightened.
- Position the motorcycle upright.



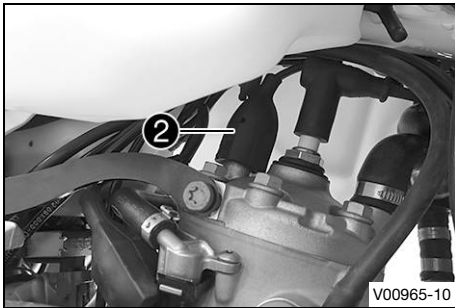


- Pour coolant in up to measurement **A** above the radiator fins.

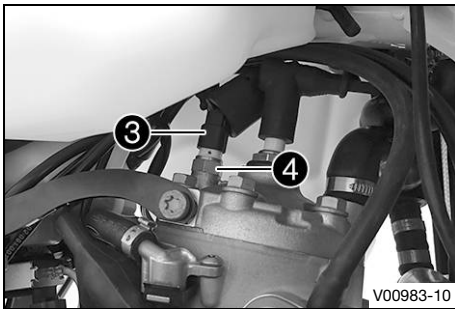
Guideline

Coolant level A above the radiator fins	10 mm (0.39 in)
------------------------------------------------	-----------------

Coolant (🗨️ p. 152)



- Push protection cap **2** upward over the thermostat.

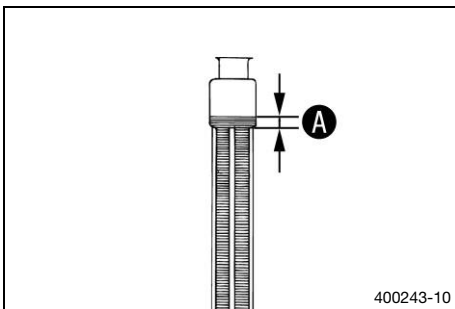


- Unplug connector **3**.
- Remove thermostat **4** with O-ring and wait until the coolant escapes without bubbles.
- Mount thermostat **4** with the O-ring and tighten.

Guideline

Screw, cylinder head temperature sensor	M10x1.25	12 Nm (8.9 lbf ft)
-----------------------------------------	----------	--------------------

- Plug in connector **3**.
- Position protection cap **2**.

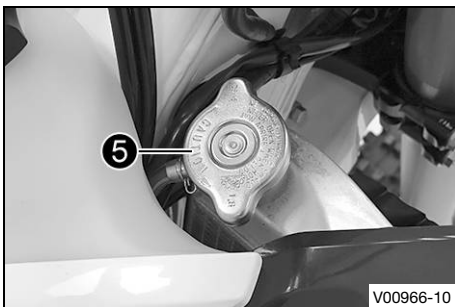


- Pour coolant in up to measurement **A** above the radiator fins.

Guideline

Coolant level A above the radiator fins	10 mm (0.39 in)
------------------------------------------------	-----------------

Coolant (🗨️ p. 152)



- Mount radiator cap **5**.



Danger

Danger of poisoning Exhaust gases are toxic and inhaling them may result in unconsciousness and death.

- Always make sure there is sufficient ventilation when running the engine.
- Use an effective exhaust extraction system when starting or running the engine in an enclosed space.

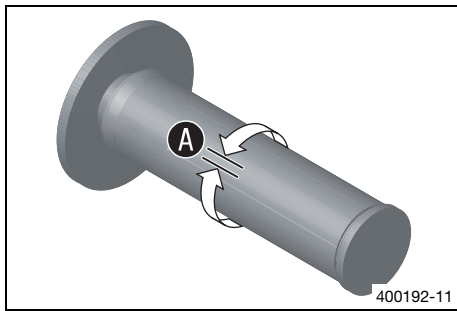
- Allow the engine to warm up and cool down again.

Finishing work

- Check the coolant level. (📖 p. 120)



17.1 Checking the play in the throttle cable



- Check the throttle grip for smooth operation.
- Turn the handlebar as far as possible to the right. Turn the throttle grip back and forth slightly and determine the play in throttle cable **A**.

Play in throttle cable	3 ... 5 mm (0.12 ... 0.2 in)
------------------------	------------------------------

- » If the throttle cable play does not meet the specified value:
 - Adjust the play in the throttle cable. 🛠️ (📖 p. 124)



Danger

Danger of poisoning Exhaust gases are toxic and inhaling them may result in unconsciousness and death.

- Always make sure there is sufficient ventilation when running the engine.
- Use an effective exhaust extraction system when starting or running the engine in an enclosed space.

- Start the engine and let it run idle. Move the handlebar to and fro over the entire steering range.

The idle speed must not change.

- » If the idle speed changes:
 - Adjust the play in the throttle cable. 🛠️ (📖 p. 124)

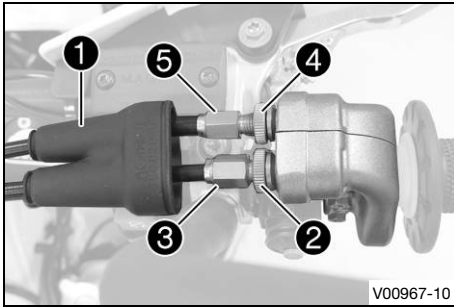
17.2 Adjusting the play in the throttle cable 🛠️

i Info

If the correct routing of the throttle cables has already been secured, the fuel tank does not need to be removed.

Preparatory work

- Remove the air filter box cover. (📖 p. 69)
- Remove the seat. (📖 p. 68)
- Remove the right side cover. (📖 p. 74)
- Remove the fuel tank. 🛠️ (📖 p. 74)
- Check throttle cable routing. (📖 p. 83)



Main work

- Move the handlebar to the straight-ahead position.
- Push back sleeve ①.
- Loosen nut ②.
- Turn adjusting screw ③ in as far as possible.
- Loosen nut ④.
- Turn adjusting screw ⑤ in as far as possible.
- Turn adjusting screw ③ so that there is play in the throttle cable at the throttle grip.

Guideline

Play in throttle cable	3 ... 5 mm (0.12 ... 0.2 in)
------------------------	------------------------------

- Unscrew the adjusting screw ⑤ until the smooth operation or play in throttle cable is worsened.
- Turn the adjusting screw ⑤ approx. two turns further.
- Tighten nut ④.
- Tighten nut ②.
- Slide on sleeve ①.
- Check the throttle grip for smooth operation.

Finishing work

- Check the play in the throttle cable. (🗨️ p. 124)

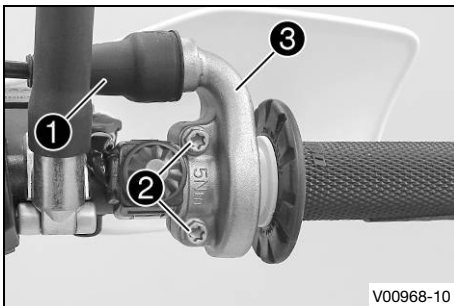
17.3 Setting the characteristic map of the throttle response ↗



Info

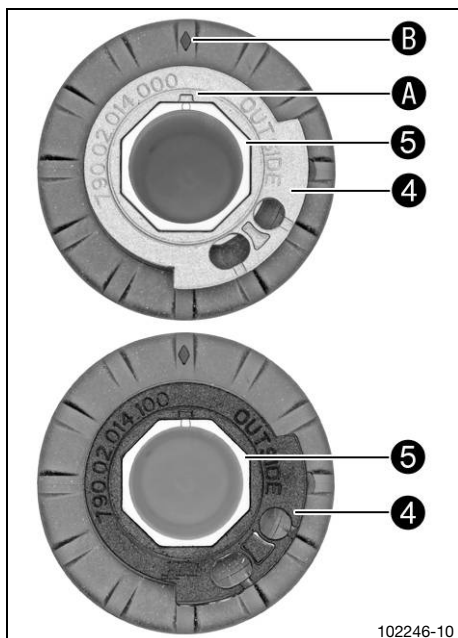
On the throttle grip, the characteristic map of the throttle response is changed by changing the guide plate.

A guide plate with a different characteristic map is supplied.



Main work

- Push back sleeve ①.
- Remove screws ② and half-shells ③.
- Detach the throttle cables and take off the grip tube.



- Remove guide plate ④ from handle tube ⑤.
- Position the required guide plate on the grip tube.

Guideline

The label **OUTSIDE** must be visible. Marking ① must be positioned at marking ②.

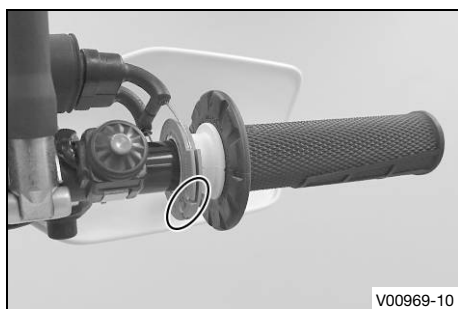
Grey guide plate (79002014000)

Alternative 1

Black guide plate (79002014100)

Info

The gray guide plate opens the throttle valve more slowly.
The black guide plate opens the throttle valve more quickly.
The gray guide plate is mounted upon delivery.



- Clean the outside of the handlebar and the inside of the grip tube. Mount the grip tube on the handlebar.
- Attach the throttle cables to the guide plate and route correctly.
- Position half-shells ③, mount and tighten screws ②.

Guideline

Screw, throttle grip	M6	5 Nm (3.7 lbf ft)
----------------------	----	-------------------

- Slide on sleeve ① and check the throttle grip for ease of movement.

Finishing work

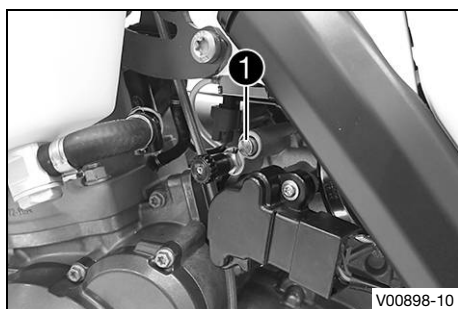
- Check the play in the throttle cable. (📖 p. 124)

17.4 Adjusting the idle speed 🛠️

Warning

Danger of accidents The engine may go out spontaneously if the idle speed is set too low.

- Set the idle speed to the specified value. (Your authorized Husqvarna Motorcycles workshop will be glad to help.)



- Run the engine until warm.
 - ✓ The cold start button is deactivated – A further ¼ turn returns the cold start button back to the basic position. (📖 p. 22)



Danger

Danger of poisoning Exhaust gases are toxic and inhaling them may result in unconsciousness and death.

- Always make sure there is sufficient ventilation when running the engine.
- Use an effective exhaust extraction system when starting or running the engine in an enclosed space.

- Adjust the idle speed by turning idle speed adjusting screw ①.

Guideline

Idle speed	1,400 ... 1,500 rpm
------------	---------------------

Tachometer (45129075000)



Info

Turning counterclockwise lowers the idle speed.
 Turning clockwise raises the idle speed.
 Make the setting in small steps.
 An incorrect idle speed can have a negative impact on overall engine running.
 The idle speed adjusting screw is unscrewed 1.5 turns ex works.



17.5 Programming ambient pressure



Danger

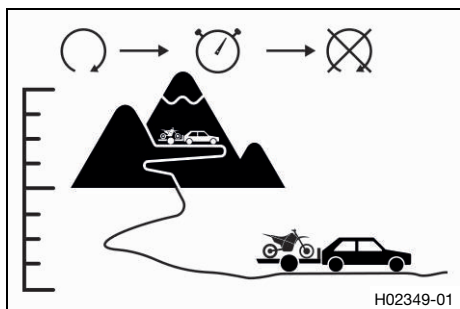
Danger of poisoning Exhaust gases are toxic and inhaling them may result in unconsciousness and death.

- Always make sure there is sufficient ventilation when running the engine.
- Use an effective exhaust extraction system when starting or running the engine in an enclosed space.



Info

If the vehicle is ridden with the engine running at various heights above sea level, the ambient pressure is programmed on an ongoing basis.
 If the vehicle is transported over great differences in height, the ambient pressure must be reprogrammed.



- Start the vehicle at the new height above sea level and switch off the engine again.
- Wait for at least five seconds.
- Start the vehicle again and check the response of the vehicle.
 - » If the response has not improved:
 - Repeat procedure.

17.6 Ignition curve plug-in connector



Plug-in connector ❶ of the ignition timing map adjustment is located on the frame under the fuel tank.

i Info

The ignition timing map connector has no function in the homologated (restricted) condition of the motorcycle.

Possible states

- Soft – The plug-in connector of the ignition timing map adjustment is disconnected to achieve better rideability.
- Performance – The plug-in connector of the ignition timing map adjustment is joined to achieve higher performance.

17.7 Changing the ignition timing map

i Info

The ignition timing map connector has no function in the homologated (restricted) condition of the motorcycle.

Preparatory work

- Remove the air filter box cover. (📖 p. 69)
- Remove the seat. (📖 p. 68)
- Remove the right side cover. (📖 p. 74)
- Remove the fuel tank. 🛠️ (📖 p. 74)

Switching the ignition timing map from Performance to Soft

- Disconnect plug-in connector ❶ of the ignition timing map adjustment.
 - ✓ Soft – Better rideability

Switching the ignition timing map from Soft to Performance

- Join plug-in connector ❶ of the ignition timing map adjustment.
 - ✓ Performance – Higher performance



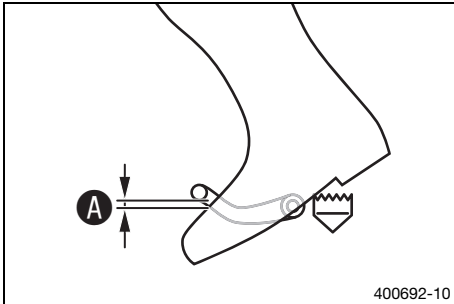
Finishing work

- Install the fuel tank. 🛠️ (📖 p. 76)
- Mount the seat. (📖 p. 69)
- Install the air filter box cover. (📖 p. 70)
- Install the right side cover. (📖 p. 74)

17.8 Checking the basic position of the shift lever



i Info

When driving, the shift lever must not touch the rider's boot when in the basic position. When the shift lever keeps touching the boot, the transmission will be subject to an excessive load.



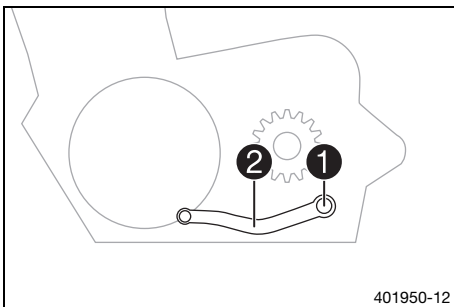
- Sit on the vehicle in the riding position and determine distance **A** between the upper edge of your boot and the shift lever.

Distance between shift lever and upper edge of boot	10 ... 20 mm (0.39 ... 0.79 in)
-----------------------------------------------------	---------------------------------

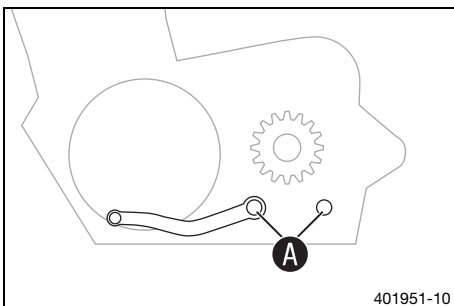
- » If the distance does not meet specifications:
 - Adjust the basic position of the shift lever. 
 - ( p. 129)



17.9 Adjusting the basic position of the shift lever



- Remove screw **1** with the washers and take off shift lever **2**.



- Clean gear teeth **A** of the shift lever and shift shaft.
- Mount the shift lever on the shift shaft in the required position and engage the gearing.

i Info

The range of adjustment is limited. The shift lever must not come into contact with any other vehicle components during the shift procedure.

- Mount and tighten screw **1** with washers.

Guideline

Screw, shift lever	M6	14 Nm (10.3 lbf ft) Loctite®243™
--------------------	----	--------------------------------------------



18.1 Changing the fuel screen



Danger

Fire hazard Fuel is highly flammable.

The fuel in the fuel tank expands when warm and can escape if overfilled.

- Do not refuel the vehicle in the vicinity of open flames or lit cigarettes.
- Switch off the engine for refueling.
- Make sure that no fuel is spilled; particularly not on hot parts of the vehicle.
- If any fuel is spilled, wipe it off immediately.
- Observe the specifications for refueling.



Warning

Danger of poisoning Fuel is poisonous and a health hazard.

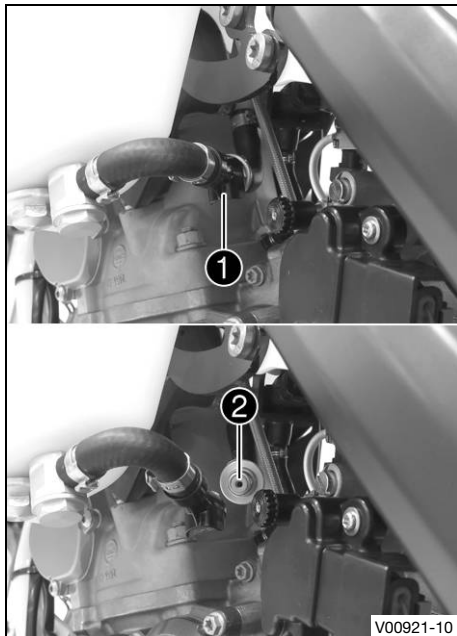
- Avoid skin, eye and clothing contact with fuel.
- Immediately consult a doctor if you swallow fuel.
- Do not inhale fuel vapors.
- In case of skin contact, rinse the affected area with plenty of water.
- Rinse the eyes thoroughly with water, and consult a doctor in case of fuel contact with the eyes.
- Change your clothing in case of fuel spills on them.



Warning

Environmental hazard Improper handling of fuel is a danger to the environment.

- Do not allow fuel to enter the groundwater, the soil, or the sewage system.



- Clean plug-in connection **1** of the fuel line thoroughly with compressed air.



Info

Under no circumstances should dirt enter into the fuel line. Dirt in the fuel line clogs the injection valve!

- Disconnect the plug-in connection of the fuel line.



Info

Remaining fuel may flow out of the fuel hose.

- Pull fuel screen **2** out of the connecting piece.
- Insert the new fuel screen all the way into the connecting piece.
- Lubricate the O-ring and join the plug-in connection of the fuel line.



Danger

Danger of poisoning Exhaust gases are toxic and inhaling them may result in unconsciousness and death.

- Always make sure there is sufficient ventilation when running the engine.
- Use an effective exhaust extraction system when starting or running the engine in an enclosed space.

- Start the engine and check the response.



18.2 Checking 2-stroke oil level



Warning

Engine failure The engine will not be lubricated unless there is 2-stroke oil in the oil tank.

If the oil level warning light lights up, the 2-stroke oil is sufficient for the remaining tank of fuel.

- As soon as the oil level warning light lights up, ride for no longer than until the remaining fuel in the tank is depleted.
- At the next opportunity add 2-stroke oil before you refuel.
- Time the oil pump if the 2-stroke oil hose has been removed or the 2-stroke oil tank has been fully depleted in error.

Preparatory work

- Stand the motorcycle upright on a horizontal surface.

Main work

- Check the 2-stroke oil level in the oil tank.

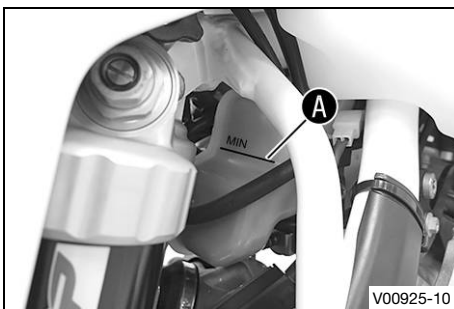


Info

For one tank of fuel, the 2-stroke oil tank must be filled up to at least the **MIN** marking **A**.

The 2-stroke oil tank must be completely if possible.

- » If the 2-stroke oil level is too low:
 - Add 2-stroke oil. (🗨️ p. 42)



18.3 Timing oil pump ↻



Warning

Engine failure The engine will not be lubricated unless there is 2-stroke oil in the oil tank.

If the oil level warning light lights up, the 2-stroke oil is sufficient for the remaining tank of fuel.

- As soon as the oil level warning light lights up, ride for no longer than until the remaining fuel in the tank is depleted.
- At the next opportunity add 2-stroke oil before you refuel.
- Time the oil pump if the 2-stroke oil hose has been removed or the 2-stroke oil tank has been fully depleted in error.

Condition

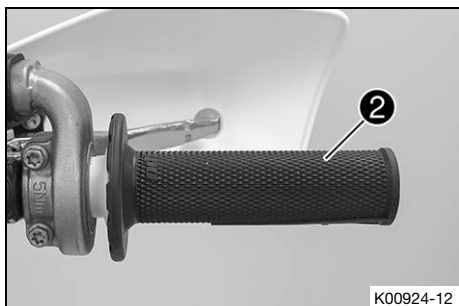
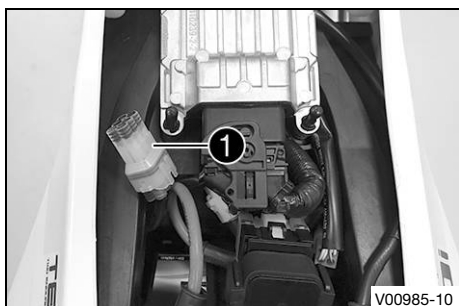
The engine is off.

Preparatory work

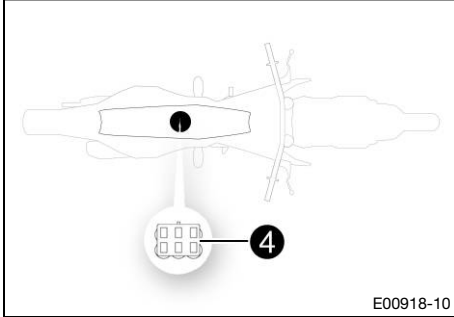
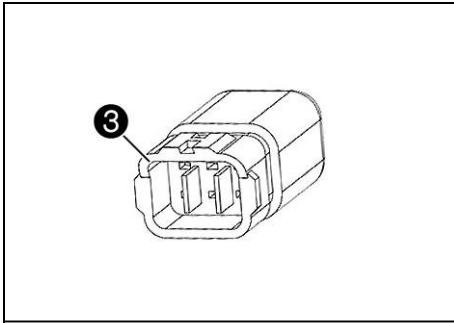
- Remove the air filter box cover. (📖 p. 69)
- Remove the seat. (📖 p. 68)

Main work

- Remove protection cap **1** of the diagnostics connector.



- Put throttle grip **2** into full throttle position and secure.



- Plug in wake-up connector ③ for timing the oil pump ④ to the diagnostics connector.
- ✓ The combination instrument lighting is activated.



Info

The connector is included as part of the motorcycle's separate enclosure.

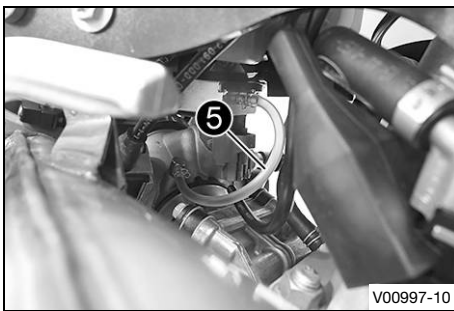
- Wait for at least five seconds.
- Release the fixing means from the throttle grip.
- ✓ The oil pump is timed.



Info

The oil pump is actuated a various speeds. The procedure is clearly audible.

- Wait until you can no longer hear the oil pump working.
- Disconnect the wake-up connector from the diagnostics connector.



- Check where air bubbles are visible in the hose ⑤.
- » If air bubbles are visible:
 - Repeat the entire procedure until air bubbles are no longer visible.
- Mount protection cap on the diagnostics connector.

Finishing work

- Mount the seat. (📖 p. 69)
- Install the air filter box cover. (📖 p. 70)

18.4 Checking the gear oil level



Info

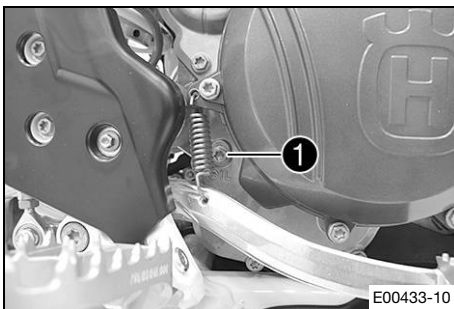
The gear oil level must be checked when the engine is cold.

Preparatory work

- Stand the motorcycle upright on a horizontal surface.

Main work

- Detach the foot brake lever spring.
- Remove screw for checking gear oil level ①.
- Check the gear oil level.



A small quantity of gear oil must run out of the drilled hole.

- » If no gear oil runs out:
 - Add gear oil. 🛠️ (📖 p. 135)

- Mount and tighten the gear oil monitoring screw.

Guideline

Screw, gear oil level check	M6	10 Nm (7.4 lbf ft)
-----------------------------	----	--------------------

- Attach the foot brake lever spring.

18.5 Changing the gear oil ↩



Warning

Danger of scalding Engine and gear oil get very hot when the motorcycle is ridden.

- Wear suitable protective clothing and safety gloves.
- In the event of scalding, rinse the area affected immediately with lukewarm water.



Warning

Environmental hazard Hazardous substances cause environmental damage.

- Dispose of oils, grease, filters, fuel, cleaning agents, brake fluid, etc., correctly and in compliance with the applicable regulations.



Info

Drain the gear oil while the engine is at operating temperature.

Preparatory work

- Remove the engine guard. (📖 p. 87)
- Park the motorcycle on a level surface.
- Place a suitable container under the engine.

Main work

- Remove gear oil drain plug ❶ with magnet.
- Let the gear oil drain fully.
- Thoroughly clean the gear oil drain plug with magnet.
- Clean the sealing surface on the engine.
- Mount and tighten gear oil drain plug ❶ with the magnet and a new seal ring.

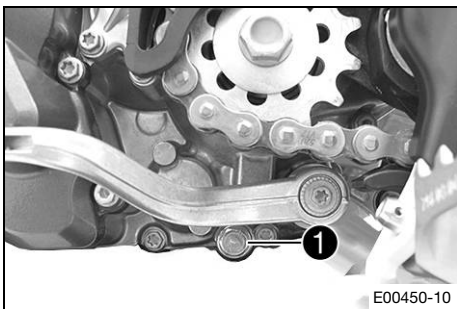
Guideline

Gear oil drain plug with magnet	M12x1.5	20 Nm (14.8 lbf ft)
---------------------------------	---------	---------------------

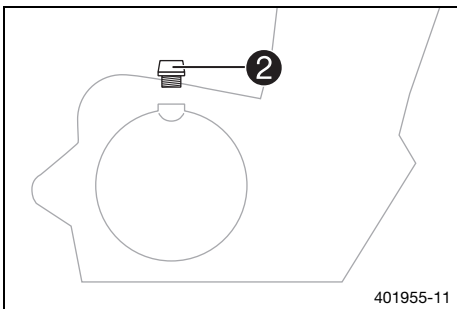
- Remove filler plug ❷ and fill up with gear oil.

Gear oil	0.80 l (0.85 qt.)	Engine oil (SAE 10W/40) (📖 p. 152)
----------	----------------------	------------------------------------------

- Mount and tighten the oil filler plug.



E00450-10



401955-11



Danger

Danger of poisoning Exhaust gases are toxic and inhaling them may result in unconsciousness and death.

- Always make sure there is sufficient ventilation when running the engine.
- Use an effective exhaust extraction system when starting or running the engine in an enclosed space.

- Start the engine and check that it is oil-tight.

Finishing work

- Check the gear oil level. (📖 p. 133)
- Install the engine guard. (📖 p. 88)



18.6 Adding gear oil ↩



Info

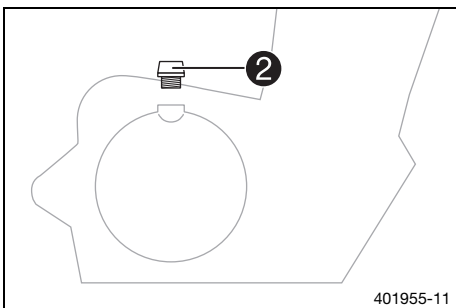
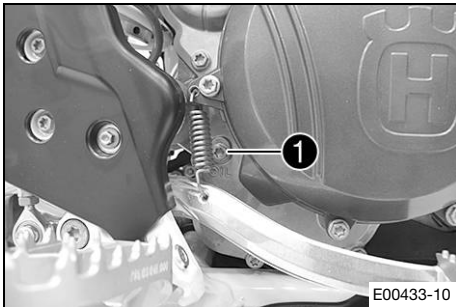
Too little gear oil or poor-quality gear oil results in premature wear to the transmission. Gear oil must only be topped up when the engine is cold.

Preparatory work

- Park the motorcycle on a level surface.

Main work

- Remove screw for checking gear oil level ❶.



- Remove filler plug ❷.
- Add gear oil until it emerges from the drill hole of the gear oil monitoring screw.

Engine oil (SAE 10W/40) (📖 p. 152)

- Mount and tighten the gear oil monitoring screw.

Guideline

Screw, gear oil level check	M6	10 Nm (7.4 lbf ft)
-----------------------------	----	--------------------

- Mount and tighten filler plug ❷.



Danger

Danger of poisoning Exhaust gases are toxic and inhaling them may result in unconsciousness and death.

- Always make sure there is sufficient ventilation when running the engine.
- Use an effective exhaust extraction system when starting or running the engine in an enclosed space.

- Start the engine and check that it is oil-tight.



19.1 Cleaning the motorcycle

Note

Material damage Components become damaged or destroyed if a pressure cleaner is used incorrectly. The high pressure forces water into the electrical components, connectors, throttle cables, and bearings, etc. Pressure which is too high causes malfunctions and destroys components.

- Do not direct the water jet directly on to electrical components, connectors, throttle cables or bearings.
- Maintain a minimum distance between the nozzle of the pressure cleaner and the component.

Minimum clearance 60 cm (23.6 in)



Warning

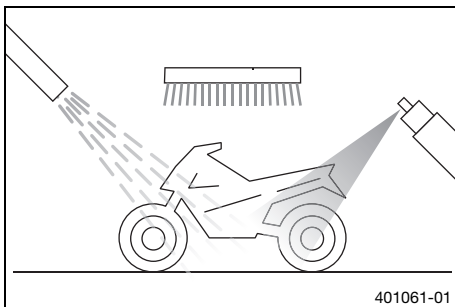
Environmental hazard Hazardous substances cause environmental damage.

- Dispose of oils, grease, filters, fuel, cleaning agents, brake fluid, etc., correctly and in compliance with the applicable regulations.



Info

To maintain the value and appearance of the motorcycle over a long period, clean it regularly. Avoid direct sunshine when cleaning the motorcycle.



- Close off the exhaust system to keep water from entering.
- Remove coarse dirt particles with a gentle water jet.
- Spray heavily soiled parts with a normal commercial motorcycle cleaner and then brush off with a soft brush.



Info

Use warm water containing normal motorcycle cleaner and a soft sponge. Never apply motorcycle cleaner to a dry vehicle; always rinse the vehicle with water first.

- After rinsing the motorcycle with a gentle spray of water, allow it to dry thoroughly.
- Remove the closure of the exhaust system.



Warning

Danger of accidents Moisture and dirt impair the brake system.

- Brake carefully several times to dry out and remove dirt from the brake linings and the brake discs.

- After cleaning, ride the vehicle a short distance until the engine warms up.



Info

The heat produced causes water at inaccessible locations in the engine and on the brake system to evaporate.

- After the motorcycle has cooled off, lubricate all moving parts and bearings.
- Clean the chain. (📖 p. 78)

- Treat bare metal (except for brake discs and the exhaust system) with a corrosion inhibitor.

Preserving materials for paints, metal and rubber
(🗨️ p. 154)

- Treat all plastic parts and powder-coated parts with a mild cleaning and care product.

(All EU models)

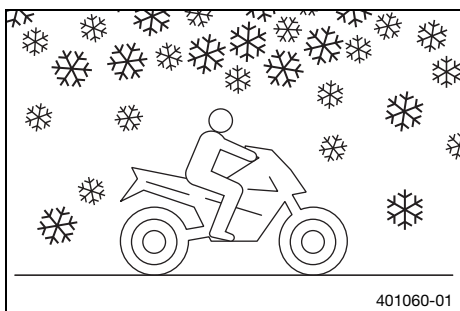
- Oil the steering lock.

19.2 Checks and maintenance steps for winter operation

i Info

If you use the motorcycle in winter, salt can be expected on the roads. You should therefore take precautions against aggressive road salt.

If the vehicle has been used on salted roads, use cold water for cleaning after riding. Warm water enhances the corrosive effects of salt.



- Clean the motorcycle. (🗨️ p. 137)
- Clean the brakes.

i Info

After **EVERY** trip on salted roads, thoroughly wash the cool and installed brake calipers and brake linings with cold water and dry carefully.

After riding on salted roads, thoroughly wash the vehicle with cold water and dry it well.

- Treat the engine, the swingarm, and all other bare or galvanized parts (except brake discs) with a wax-based corrosion inhibitor.

i Info

Corrosion inhibitor is not permitted to come in contact with the brake discs as this would greatly reduce the braking force.

- Clean the chain. (🗨️ p. 78)

20.1 Storage

**Warning**

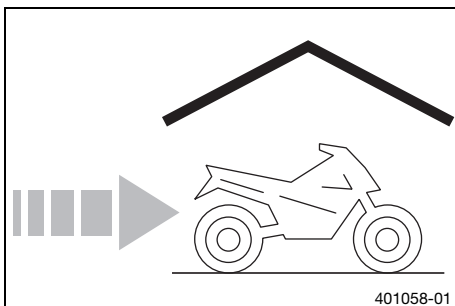
Danger of poisoning Fuel is poisonous and a health hazard.

- Avoid skin, eye and clothing contact with fuel.
- Immediately consult a doctor if you swallow fuel.
- Do not inhale fuel vapors.
- In case of skin contact, rinse the affected area with plenty of water.
- Rinse the eyes thoroughly with water, and consult a doctor in case of fuel contact with the eyes.
- Change your clothing in case of fuel spills on them.
- Keep fuels correctly in a suitable canister, and out of the reach of children.

**Info**

If you plan to garage the motorcycle for a longer period, perform the following steps or have them performed.

Before storing the motorcycle, check all parts for function and wear. If service, repairs, or replacements are necessary, you should do this during the storage period (less workshop overload). In this way, you can avoid long workshop waiting times at the start of the new season.



- Clean the motorcycle. (📖 p. 137)
- Change the gear oil. 🛠️ (📖 p. 134)
- Check the antifreeze and coolant level. (📖 p. 119)
- When refueling for the last time before taking the motorcycle out of service, add fuel additive.
- Refuel. (📖 p. 41)
- Check the tire air pressure. (📖 p. 105)
- Remove the battery. 🛠️ (📖 p. 107)
- Recharge the battery. 🛠️ (📖 p. 108)

Guideline

Storage temperature of battery without direct sunshine	0 ... 35 °C (32 ... 95 °F)
--------------------------------------------------------	----------------------------

- Store the vehicle in a dry location that is not subject to large fluctuations in temperature.

**Info**

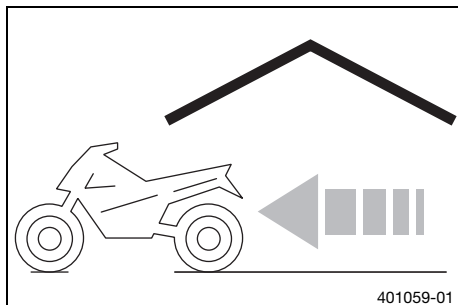
Husqvarna Motorcycles recommends raising the motorcycle.

- Raise the motorcycle with a lift stand. (📖 p. 56)
- Cover the vehicle with a tarp or similar cover that is permeable to air.

i Info

Do not use non-porous materials since they prevent humidity from escaping, thus causing corrosion. Avoid running the engine for a short time only. Because the engine will not warm up sufficiently, the water vapor produced during combustion will condense, causing engine parts and the exhaust system to rust.

20.2 Preparing for use after storage



- Remove the motorcycle from the lift stand. (📖 p. 56)
- Install the battery. 🛠️ (📖 p. 108)
- Perform checks and maintenance measures when preparing for use. (📖 p. 37)
- Make a test ride.

Faults	Possible cause	Action
The engine cannot be cranked (electric starter)	Operating error	– Carry out the start procedure. (📖 p. 37)
	The battery is discharged	– Recharge the battery. 🛠️ (📖 p. 108) – Check the charging voltage. 🛠️ – Check the open-circuit current. 🛠️ – Check the stator winding of the alternator. 🛠️
	Main fuse blown	– Change the main fuse. (📖 p. 110)
	Starter relay faulty	– Check the starter relay. 🛠️
	Starter motor faulty	– Check the starter motor. 🛠️
The engine turns but does not start	Operating error	– Carry out the start procedure. (📖 p. 37)
	The plug-in connection of the fuel line is not joined	– Join the plug-in connection of the fuel line.
	Idle speed is not set correctly	– Adjust the idle speed. 🛠️ (📖 p. 126)
	Fuel supply interrupted	– Check the fuel tank breather.
	Spark plug oily or wet	– Clean and dry the spark plug, or change it if necessary.
	Electrode distance (plug gap) of spark plug too wide	– Adjust the plug gap. Guideline Spark plug electrode gap 1.3 mm (0.051 in)
	Faulty ignition	– Ignition coil - check the primary winding. 🛠️ – Check the spark plug connector. 🛠️ – Check the stator winding of the alternator. 🛠️
	Short-circuit cable in wiring harness frayed, kill switch or emergency OFF switch defective	– Check wiring harness (visual check). – Check the electrical system.
Engine has no idle	The connector or ignition coil is loose or oxydized	– Clean the connector and treat with contact spray.
	Defect in the fuel injection system	– Read out the fault memory using the Husqvarna Motorcycles diagnostics tool. 🛠️
	Spark plug defective	– Change the spark plug.
Engine does not speed up	Faulty ignition	– Ignition coil - check the primary winding. 🛠️ – Check the spark plug connector. 🛠️ – Check the stator winding of the alternator. 🛠️
	Idle speed is not set correctly	– Adjust the idle speed. 🛠️ (📖 p. 126)
Engine does not speed up	Defect in the fuel injection system	– Read out the fault memory using the Husqvarna Motorcycles diagnostics tool. 🛠️

Faults	Possible cause	Action
Engine does not speed up	Faulty ignition	<ul style="list-style-type: none"> - Ignition coil - check the primary winding. 🛠️ - Check the spark plug connector. 🛠️ - Check the stator winding of the alternator. 🛠️
	Ambient pressure is incorrectly stored	<ul style="list-style-type: none"> - Program ambient pressure. (📖 p. 127)
Engine has too little power	Air filter very dirty	<ul style="list-style-type: none"> - Clean the air filter and air filter box. 🛠️ (📖 p. 71)
	Fuel filter is very dirty	<ul style="list-style-type: none"> - Change the fuel filter. 🛠️
	Fuel screen is very dirty	<ul style="list-style-type: none"> - Change the fuel screen. 🛠️ (📖 p. 130)
	Defect in the fuel injection system	<ul style="list-style-type: none"> - Read out the fault memory using the Husqvarna Motorcycles diagnostics tool. 🛠️
	Fuel supply interrupted	<ul style="list-style-type: none"> - Check the fuel tank breather.
	Exhaust system leaky, deformed or too little glass fiber yarn filling in main silencer	<ul style="list-style-type: none"> - Check exhaust system for damage. - Change glass fiber yarn filling in the main silencer. 🛠️ (📖 p. 73)
	Faulty ignition	<ul style="list-style-type: none"> - Ignition coil - check the primary winding. 🛠️ - Check the spark plug connector. 🛠️ - Check the stator winding of the alternator. 🛠️
	Diaphragm or reed valve housing damaged	<ul style="list-style-type: none"> - Check the diaphragm and reed valve housing.
The engine dies during the trip	Ambient pressure is incorrectly stored	<ul style="list-style-type: none"> - Program ambient pressure. (📖 p. 127)
	Lack of fuel	<ul style="list-style-type: none"> - Refuel. (📖 p. 41)
	The engine takes in false air	<ul style="list-style-type: none"> - Check that the intake flange is firmly seated.
	The connector or ignition coil is loose or oxydized	<ul style="list-style-type: none"> - Clean the connector and treat with contact spray.
Engine overheats	Ambient pressure is incorrectly stored	<ul style="list-style-type: none"> - Program ambient pressure. (📖 p. 127)
	Too little coolant in cooling system	<ul style="list-style-type: none"> - Check the cooling system for leakage. - Check the coolant level. (📖 p. 120)
	Too little air stream	<ul style="list-style-type: none"> - Switch off engine when stationary.
	Radiator fins very dirty	<ul style="list-style-type: none"> - Clean the radiator fins.
	Foam formation in cooling system	<ul style="list-style-type: none"> - Drain the coolant. 🛠️ (📖 p. 120) - Refill with coolant. 🛠️ (📖 p. 121)
	Damaged cylinder head or cylinder head gasket	<ul style="list-style-type: none"> - Check the cylinder head and cylinder head gasket.
	Bent radiator hose	<ul style="list-style-type: none"> - Change the radiator hose. 🛠️
Thermostat defective	<ul style="list-style-type: none"> - Check the thermostat. 🛠️ <p>Guideline Opening temperature: 70 °C (158 °F)</p>	

Faults	Possible cause	Action
White smoke emission (steam in exhaust gas)	Damaged cylinder head or cylinder head gasket	– Check the cylinder head and cylinder head gasket.
Gear oil exits at the vent hose	Too much gear oil added	– Check the gear oil level. (📖 p. 133)
Water in the gear oil	Damaged shaft seal ring or water pump	– Check the shaft seal ring and water pump.
Malfunction indicator lamp lights up or flashes	Defect in the fuel injection system	– Check the cabling for damage and the electrical plug-in connections for corrosion and damage. – Read out the fault memory using the Husqvarna Motorcycles diagnostics tool. 🛠️
The battery is discharged	The battery is not being charged by the alternator	– Check the charging voltage. 🛠️ – Check the stator winding of the alternator. 🛠️
	Unwanted power consumer	– Check the open-circuit current. 🛠️
Values in combination instrument deleted (time, stop watch, lap times)	The combination instrument battery is empty	– Change the combination instrument. (📖 p. 118)

22.1 Engine

22.1.1 All TE 250i

Design	1-cylinder 2-stroke engine, water-cooled, with reed intake, exhaust control and transfer duct injection
Displacement	249 cm ³ (15.19 cu in)
Stroke	72 mm (2.83 in)
Hole	66.4 mm (2.614 in)
Exhaust valve, beginning of adjustment	5,500 rpm
Crankshaft bearing	1 grooved ball bearing/1 roller bearing
Conrod bearing	Needle bearing
Piston pin bearing	Needle bearing
Piston	Cast aluminum
Piston rings	2 half keystone rings
Engine lubrication	Separate lubrication
X distance (upper edge of piston to upper edge of cylinder)	0 ... 0.10 mm (0 ... 0.0039 in)
Z distance (height of control flap)	49 mm (1.93 in)
Primary transmission	26:73
Clutch	Multidisc clutch in oil bath/hydraulically activated
Transmission	6-gear, claw shifted
Transmission ratio	
First gear	14:32
Second gear	16:26
Third gear	20:25
Fourth gear	22:23
Fifth gear	25:22
Sixth gear	26:20
Alternator	12 V, 196 W
Ignition system	Contactless controlled, fully electronic ignition with digital ignition adjustment, type Kokusan
Spark plug	NGK ZGR 7 G1
Spark plug electrode gap	1.3 mm (0.051 in)
Cooling	Water cooling, permanent circulation of coolant by water pump
Starting aid	Kick starter and electric starter

22.1.2 TE 300i EU

Design	1-cylinder 2-stroke engine, water-cooled, with reed intake, exhaust control and transfer duct injection
Displacement	293.2 cm ³ (17.892 cu in)
Stroke	72 mm (2.83 in)
Hole	72 mm (2.83 in)
Exhaust valve, beginning of adjustment	5,500 rpm
Crankshaft bearing	1 grooved ball bearing/1 roller bearing

Conrod bearing	Needle bearing
Piston pin bearing	Needle bearing
Piston	Cast aluminum
Piston rings	2 rectangular rings
Engine lubrication	Separate lubrication
X distance (upper edge of piston to upper edge of cylinder)	0 ... 0.10 mm (0 ... 0.0039 in)
Z distance (height of control flap)	49.5 mm (1.949 in)
Primary transmission	26:73
Clutch	Multidisc clutch in oil bath/hydraulically activated
Transmission	6-gear, claw shifted
Transmission ratio	
First gear	14:32
Second gear	16:26
Third gear	20:25
Fourth gear	22:23
Fifth gear	25:22
Sixth gear	26:20
Alternator	12 V, 196 W
Ignition system	Contactless controlled, fully electronic ignition with digital ignition adjustment, type Kokusan
Spark plug	NGK ZGR 7 G1
Spark plug electrode gap	1.3 mm (0.051 in)
Cooling	Water cooling, permanent circulation of coolant by water pump
Starting aid	Kick starter and electric starter

22.2 Engine tightening torques

Screw, inner membrane sheets	EJOTDELTA PT[®] 35x25	1 Nm (0.7 lbf ft)	
Screw, membrane support plate	EJOTDELTA PT[®] 30x12	1 Nm (0.7 lbf ft)	
Screw, outer membrane sheets	EJOTDELTA PT[®] 30x6	1 Nm (0.7 lbf ft)	
Screw, angle lever, exhaust control	M5	6 Nm (4.4 lbf ft)	Loctite[®]243[™]
Screw, bearing retainer	M5	7 Nm (5.2 lbf ft)	Loctite[®]243[™]
Screw, clutch spring retainer	M5	6 Nm (4.4 lbf ft)	
Screw, crankshaft position sensor	M5	6 Nm (4.4 lbf ft)	Loctite[®]243[™]
Screw, exhaust control bearing support	M5	6 Nm (4.4 lbf ft)	Loctite[®]243[™]
Screw, exhaust control cap	M5	5 Nm (3.7 lbf ft)	
Screw, exhaust control cover	M5	4 Nm (3 lbf ft)	Loctite[®] 222[™]
Screw, injection valve holder	M5	3.5 Nm (2.58 lbf ft)	Loctite[®]243[™]

Screw, locking lever	M5	6 Nm (4.4 lbf ft)	Loctite®243™
Screw, retaining bracket of exhaust control	M5	7 Nm (5.2 lbf ft)	Loctite®2701™
Screw, stator	M5	6 Nm (4.4 lbf ft)	Loctite®243™
Screw, water pump impeller	M5	6 Nm (4.4 lbf ft)	Loctite®243™
Screw, alternator cover	M6	8 Nm (5.9 lbf ft)	
Screw, clutch slave cylinder	M6	10 Nm (7.4 lbf ft)	
Screw, control flap, exhaust control	M6	10 Nm (7.4 lbf ft)	Loctite®243™
Screw, engine case	M6	10 Nm (7.4 lbf ft)	
Screw, exhaust flange	M6	8 Nm (5.9 lbf ft)	
Screw, gear oil level check	M6	10 Nm (7.4 lbf ft)	
Screw, intake flange/reed valve housing	M6	6 Nm (4.4 lbf ft)	
Screw, intermediate clutch cover	M6	10 Nm (7.4 lbf ft)	
Screw, intermediate kick starter gear	M6	10 Nm (7.4 lbf ft)	Loctite®243™
Screw, kick starter stop plate	M6	10 Nm (7.4 lbf ft)	Loctite®243™
Screw, outer clutch cover	M6	8 Nm (5.9 lbf ft)	
Screw, shift drum locating	M6	10 Nm (7.4 lbf ft)	Loctite®243™
Screw, shift lever	M6	14 Nm (10.3 lbf ft)	Loctite®243™
Screw, starter motor	M6	10 Nm (7.4 lbf ft)	
Screw, starter motor bearing bush	M6	10 Nm (7.4 lbf ft)	Loctite®243™
Screw, starter motor protection cap	M6	8 Nm (5.9 lbf ft)	
Screw, vacuum connections	M6	8 Nm (5.9 lbf ft)	Loctite®2701™
Screw, water pump cover	M6	10 Nm (7.4 lbf ft)	
Screw, balancer shaft	M8	30 Nm (22.1 lbf ft)	Loctite®243™
Screw, cylinder head	M8	27 Nm (19.9 lbf ft)	
Screw, kick starter	M8	25 Nm (18.4 lbf ft)	Loctite®2701™
Nut, cylinder base	M10	35 Nm (25.8 lbf ft)	
Screw, drive chain engine sprocket	M10	60 Nm (44.3 lbf ft)	Loctite®2701™
Stud, cylinder base	M10	25 Nm (18.4 lbf ft)	Loctite®243™
Screw, cylinder head temperature sensor	M10x1.25	12 Nm (8.9 lbf ft)	
Nut, rotor	M12x1	60 Nm (44.3 lbf ft)	

Gear oil drain plug with magnet	M12x1.5	20 Nm (14.8 lbf ft)
Spark plug	M14x1.25	25 Nm (18.4 lbf ft)
Nut, inner clutch hub	M18x1.5	100 Nm (73.8 lbf ft) Loctite® 648™
Nut, primary gear	M18LHx1.5	150 Nm (110.6 lbf ft) Loctite® 648™

22.3 Capacities

22.3.1 Gear oil

Gear oil	0.80 l (0.85 qt.)	Engine oil (SAE 10W/40) (📖 p. 152)
----------	-------------------	------------------------------------

22.3.2 Coolant

Coolant	1.2 l (1.3 qt.)	Coolant (📖 p. 152)
---------	-----------------	--------------------

22.3.3 Fuel

Total fuel tank capacity, approx.	9 l (2.4 US gal)	Super unleaded (ROZ 95/RON 95/PON 91) (📖 p. 153)
-----------------------------------	------------------	--------------------------------------------------

Fuel reserve, approx.	1.5 l (1.6 qt.)	
-----------------------	-----------------	--

2-stroke oil tank content approx.	0.7 l (0.7 qt.)	Engine oil, 2-stroke (📖 p. 152)
-----------------------------------	-----------------	---------------------------------

22.4 Chassis

Frame	Central tube frame made of chrome molybdenum steel tubing	
Fork	WP Performance SystemsXplor 48 PA	
Shock absorber	WP Performance Systems 5018 DCC Link	
Suspension travel		
front	300 mm (11.81 in)	
rear	330 mm (12.99 in)	
Fork offset	22 mm (0.87 in)	
Brake system	Disc brakes, brake calipers on floating bearings	
Brake discs - diameter		
front	260 mm (10.24 in)	
rear	220 mm (8.66 in)	
Brake discs - wear limit		
front	2.5 mm (0.098 in)	
rear	3.5 mm (0.138 in)	
Tire air pressure, road (All EU models)		
front	1.5 bar (22 psi)	
rear	1.5 bar (22 psi)	
Tire air pressure, off-road		
front	1.0 bar (15 psi)	
rear	1.0 bar (15 psi)	

Secondary ratio (All EU models)	14:50 (13:50)
Secondary ratio (TE 250i US)	13:50
Chain	5/8 x 1/4"
Rear sprockets available	48, 50, 52
Steering head angle	63.5°
Wheelbase	1,495±10 mm (58.86±0.39 in)
Seat height unloaded	960 mm (37.8 in)
Ground clearance unloaded	370 mm (14.57 in)
Weight without fuel, approx. (TE 250i EU)	107.6 kg (237.2 lb.)
Weight without fuel, approx. (TE 250i US)	105.2 kg (231.9 lb.)
Weight without fuel, approx. (TE 300i EU)	107.8 kg (237.7 lb.)
Maximum permissible front axle load	145 kg (320 lb.)
Maximum permissible rear axle load	190 kg (419 lb.)
Maximum permissible overall weight	335 kg (739 lb.)

22.5 Electrical system


Battery	HJTZ5S-FP	Lithium-ion battery Battery voltage: 12 V Nominal capacity: 2.0 Ah Maintenance-free
Combination instrument battery	CR 2032	Battery voltage: 3 V
Headlight	HS1/socket BX43t	12 V 35/35 W
Parking light	W5W / socket W2.1x9.5d	12 V 5 W
Indicator lamps	W2.3W / socket W2x4.6d	12 V 2.3 W
Turn signal (All EU models)	R10W/socket BA15s	12 V 10 W
Brake/tail light	LED	
License plate lamp (All EU models)	LED	
Fuse	75011088005	5 A
Fuse	75011088010	10 A
Fuse	58011109120	20 A

22.6 Tires

Validity	Front tire	Rear tire
(All EU models)	90/90 - 21 M/C 54M M+S TT Metzeler MCE 6 DAYS EXTREME	140/80 - 18 M/C 70M M+S TT Metzeler MCE 6 DAYS EXTREME
(TE 250i US)	90/90 - 21 54M TT Dunlop Geomax AT81 F	110/100 - 18 64M TT Dunlop Geomax AT81

The tires specified represent one of the possible series production tires. Additional information is available in the Service section under:
www.husqvarna-motorcycles.com

22.7 Fork

Fork article number	14.15.8R.63	
Fork	WP Performance SystemsXplor 48 PA	
Compression damping		
Comfort	18 clicks	
Standard	15 clicks	
Sport	12 clicks	
Rebound damping		
Comfort	18 clicks	
Standard	15 clicks	
Sport	12 clicks	
Spring preload - Preload Adjuster		
Comfort	+0	
Standard	+0	
Sport	+3	
Spring length with preload spacer(s)	474 mm (18.66 in)	
Spring rate		
Weight of rider: 65 ... 75 kg (143 ... 165 lb.)	4.0 N/mm (22.8 lb/in)	
Weight of rider: 75 ... 85 kg (165 ... 187 lb.)	4.2 N/mm (24 lb/in)	
Weight of rider: 85 ... 95 kg (187 ... 209 lb.)	4.4 N/mm (25.1 lb/in)	
Fork length	928 mm (36.54 in)	
Fork oil per fork leg	635 \pm 10 ml (21.47 \pm 0.34 fl. oz.)	Fork oil (SAE 4) (48601166S1) ( p. 153)

22.8 Shock absorber

Shock absorber article number	18.15.7R.63	
Shock absorber	WP Performance Systems 5018 DCC Link	
Compression damping, low-speed		
Comfort	17 clicks	
Standard	15 clicks	
Sport	13 clicks	
Compression damping, high-speed		
Comfort	2.5 turns	
Standard	2 turns	
Sport	1.5 turns	
Rebound damping		
Comfort	17 clicks	
Standard	15 clicks	
Sport	13 clicks	
Spring preload	14 mm (0.55 in)	
Spring rate		
Weight of rider: 65 ... 75 kg (143 ... 165 lb.)	45 N/mm (257 lb/in)	
Weight of rider: 75 ... 85 kg (165 ... 187 lb.)	48 N/mm (274 lb/in)	

Weight of rider: 85 ... 95 kg (187 ... 209 lb.)	51 N/mm (291 lb/in)
Spring length	260 mm (10.24 in)
Gas pressure	10 bar (145 psi)
Static sag	35 mm (1.38 in)
Riding sag	110 mm (4.33 in)
Fitted length	477 mm (18.78 in)
Shock absorber fluid (🔧 p. 153)	SAE 2.5

22.9 Chassis tightening torques

Remaining screws, chassis	EJOT PT® K60x25-Z	2 Nm (1.5 lbf ft)
Screw, oil fill level sensor	G 3/4 "	7 Nm (5.2 lbf ft)
Screw, seat fixing	EJOT EJOFORM PT® K60x23/18	2.5 Nm (1.84 lbf ft)
Screw, fixed grip	M4	5 Nm (3.7 lbf ft) Loctite®243™
Spoke nipple, front wheel	M4.5	6 Nm (4.4 lbf ft)
Spoke nipple, rear wheel	M4.5	6 Nm (4.4 lbf ft)
Remaining nuts, chassis	M5	5 Nm (3.7 lbf ft)
Remaining screws, chassis	M5	5 Nm (3.7 lbf ft)
Screw, battery terminal	M5	2.5 Nm (1.84 lbf ft)
Screw, intake air temperature sensor	M5	2 Nm (1.5 lbf ft)
Screw, shock absorber adjusting ring	M5	5 Nm (3.7 lbf ft)
Nut, starter motor	M6	4 Nm (3 lbf ft)
Remaining nuts, chassis	M6	10 Nm (7.4 lbf ft)
Remaining screws, chassis	M6	10 Nm (7.4 lbf ft)
Screw, absorbing element on frame	M6	6 Nm (4.4 lbf ft)
Screw, absorbing element on manifold	M6	6 Nm (4.4 lbf ft)
Screw, ball joint of push rod on foot brake cylinder	M6	10 Nm (7.4 lbf ft) Loctite®243™
Screw, chain sliding guard	M6	14 Nm (10.3 lbf ft) Loctite®243™
Screw, front brake disc	M6	14 Nm (10.3 lbf ft) Loctite®243™
Screw, oil pump holder on oil tank	M6	6 Nm (4.4 lbf ft)
Screw, rear brake disc	M6	14 Nm (10.3 lbf ft) Loctite®243™
Screw, throttle grip	M6	5 Nm (3.7 lbf ft)
Fuel connection on fuel pump	M8	10 Nm (7.4 lbf ft)
Nut, foot brake lever stop	M8	20 Nm (14.8 lbf ft)
Nut, pull switch (TE 250i US)	M8	0.4 Nm (0.3 lbf ft)
Nut, rear sprocket screw	M8	35 Nm (25.8 lbf ft) Loctite®2701™
Nut, rim lock	M8	12 Nm (8.9 lbf ft)

Remaining nuts, chassis	M8	25 Nm (18.4 lbf ft)	
Remaining screws, chassis	M8	25 Nm (18.4 lbf ft)	
Screw, bottom triple clamp	M8	15 Nm (11.1 lbf ft)	
Screw, chain sliding piece	M8	15 Nm (11.1 lbf ft)	
Screw, engine brace	M8	25 Nm (18.4 lbf ft)	Loctite®2701™
Screw, fork stub	M8	15 Nm (11.1 lbf ft)	
Screw, front brake caliper	M8	25 Nm (18.4 lbf ft)	Loctite®243™
Screw, handlebar clamp	M8	20 Nm (14.8 lbf ft)	
Screw, side stand attachment	M8	35 Nm (25.8 lbf ft)	Loctite®2701™
Screw, subframe	M8	30 Nm (22.1 lbf ft)	Loctite®2701™
Screw, top steering stem	M8	17 Nm (12.5 lbf ft)	Loctite®243™
Screw, top triple clamp	M8	17 Nm (12.5 lbf ft)	
Engine bracket screw	M10	60 Nm (44.3 lbf ft)	
Remaining nuts, chassis	M10	45 Nm (33.2 lbf ft)	
Remaining screws, chassis	M10	45 Nm (33.2 lbf ft)	
Screw, bottom shock absorber	M10	60 Nm (44.3 lbf ft)	Loctite®2701™
Screw, handlebar support	M10	40 Nm (29.5 lbf ft)	Loctite®243™
Screw, top shock absorber	M10	60 Nm (44.3 lbf ft)	Loctite®2701™
Nut, fuel pump fixation	M12	15 Nm (11.1 lbf ft)	
Nut, angle lever on swingarm	M14x1.5	80 Nm (59 lbf ft)	
Nut, linkage lever on angle lever	M14x1.5	80 Nm (59 lbf ft)	
Nut, swingarm pivot	M16x1.5	100 Nm (73.8 lbf ft)	
Nut, rear wheel spindle	M20x1.5	80 Nm (59 lbf ft)	
Screw, front wheel spindle	M20x1.5	35 Nm (25.8 lbf ft)	
Screw, top steering head	M20x1.5	12 Nm (8.9 lbf ft)	
Screw-in nozzles, cooling system	M20x1.5	12 Nm (8.9 lbf ft)	Loctite®243™

Brake fluid DOT 4

Standard/classification

- DOT

Guideline

- Use only brake fluid that complies with the specified standard (see specifications on the container) and that possesses the corresponding properties.

Recommended supplier

Bel-Ray®

- **Super DOT 4 Brake Fluid**

Coolant

Guideline

- Only use high-grade, silicate-free coolant with corrosion inhibitor additive for aluminum motors. Low grade and unsuitable antifreeze causes corrosion, deposits and frothing.
- Do not use pure water as only coolant is able to meet the requirements needed in terms of corrosion protection and lubrication properties.
- Only use coolant that complies with the requirements stated (see specifications on the container) and that has the relevant properties.

Antifreeze protection to at least	-25 °C (-13 °F)
-----------------------------------	-----------------

The mixture ratio must be adjusted to the necessary antifreeze protection. Use distilled water if the coolant needs to be diluted.

The use of premixed coolant is recommended.

Observe the coolant manufacturer specifications for antifreeze protection, dilution and miscibility (compatibility) with other coolants.

Recommended supplier

Bel-Ray®

- **Moto Chill Racing Coolant**

Engine oil (SAE 10W/40)

Standard/classification

- JASO T903 MA (📖 p. 155)
- SAE (📖 p. 155) (SAE 10W/40)

Guideline

- Use only engine oils that comply with the specified standards (see specifications on the container) and that possess the corresponding properties.

mineral engine oil

Recommended supplier

Bel-Ray®

- **EXL Mineral 4T**

Engine oil, 2-stroke

Standard/classification

- JASO FD (📖 p. 155)

Guideline

- Only use high grade 2-stroke engine oil of a reputable brand.

Synthetic engine oil

Recommended supplier**Bel-Ray®**

- Si-7 Synthetic 2T

Fork oil (SAE 4) (48601166S1)**Standard/classification**

- SAE (📖 p. 155) (SAE 4)

Guideline

- Use only oils that comply with the specified standards (see specifications on the container) and that exhibit the corresponding properties.

Shock absorber fluid (SAE 2.5) (50180751S1)**Standard/classification**

- SAE (📖 p. 155) (SAE 2.5)

Guideline

- Use only oils that comply with the specified standards (see specifications on the container) and that exhibit the corresponding properties.

Super unleaded (ROZ 95/RON 95/PON 91)**Standard/classification**

- DIN EN 228 (ROZ 95/RON 95/PON 91)

Guideline

- Only use unleaded super fuel that matches or is equivalent to the specified fuel grade.
- Fuel with an ethanol content of up to 10 % (E10 fuel) is safe to use.

**Info**

Do **not** use fuel containing methanol (e. g. M15, M85, M100) or more than 10 % ethanol (e. g. E15, E25, E85, E100).

Air filter cleaning agent

Recommended supplier

Bel-Ray®

- Foam Filter Cleaner & Degreaser

High viscosity grease

Recommended supplier

SKF®

- LGHB 2

Long-life grease

Recommended supplier

Bel-Ray®

- Waterproof Grease

Offroad chain spray

Guideline

Recommended supplier

Bel-Ray®

- Blue Tac Chain Lube

Oil for foam air filter

Recommended supplier

Bel-Ray®

- Foam Filter Oil

Preserving materials for paints, metal and rubber

Recommended supplier

Bel-Ray®

- Silicone Detailer & Protectant Spray

Universal oil spray

Recommended supplier

Bel-Ray®

- 6 in 1

JASO T903 MA

Different technical development directions required a separate specification for motorcycles – the **JASO T903 MA** standard.

Earlier, engine oils from the automobile industry were used for motorcycles because there was no separate motorcycle specification.

Whereas long service intervals are demanded for automobile engines, the focus for motorcycle engines is on high performance at high engine speeds.

In most motorcycle engines, the transmission and clutch are lubricated with the same oil.

The **JASO MA** standard meets these special requirements.

SAE

The SAE viscosity classes were defined by the Society of Automotive Engineers and are used for classifying oils according to their viscosity. The viscosity describes only one property of oil and says nothing about quality.

JASO FD


JASO FD is a classification for a 2-stroke engine oil that was specifically developed for the extreme demands of racing. Thanks to first rate synthetic esters and specially designed additives, superb combustion is achieved even under extreme operating conditions.

OBD	On-board diagnosis	Vehicle system, which monitors the specified parameters of the vehicle electronics
-----	--------------------	------------------------------------------------------------------------------------

Art. no.	Article number
ca.	circa
cf.	compare
e.g.	for example
etc.	et cetera
i.a.	inter alia
no.	number
poss.	possibly



28.1 Red symbols

Red symbols indicate an error condition that requires immediate intervention.

	<p>The oil level warning lamp lights up red – Oil level has reached the MIN marking. Ride for no more than until the remaining fuel in the tank is depleted and at the next opportunity refuel with 2-stroke oil.</p>
-----------------------------------------------------------------------------------	------------------------------------------------------------------------------------------------------------------------------------------------------------------------------------------------------------------------------



28.2 Yellow and orange symbols

Yellow and orange symbols indicate an error condition that requires prompt intervention. Active driving aids are also represented by yellow or orange symbols.

	<p>Malfunction indicator lamp lights up/flashes yellow – The OBD has detected an error in the vehicle electronics. Come safely to a halt, and contact an authorized Husqvarna Motorcycles workshop.</p>
	<p>The fuel level warning lamp lights up yellow – The fuel level has reached the reserve mark.</p>

28.3 Green and blue symbols

Green and blue symbols reflect information.

	<p>Turn signal indicator lamp flashes green – The turn signal is switched on.</p>
	<p>The high beam indicator lamp lights up blue – The high beam is switched on.</p>

2

2-stroke oil level	
checking	131
2-stroke oil tank cap	
closing	21
opening	21

A

Accessories	11
Air filter	
cleaning	71
installing	71
removing	70
Air filter box	
cleaning	71
sealing	72
Air filter box cover	
installing	70
removing	69
Ambient pressure	
programming	127
Antifreeze	
checking	119
Auxiliary substances	11

B

Basic chassis setting	
checking with rider's weight	46
Battery	
installing	108
recharging	108
removing	107
starting power	32
Brake discs	
checking	89
Brake fluid	
of front brake, adding	90
of rear brake, adding	96
Brake fluid level	
front brake, checking	90
rear brake, checking	95
Brake linings	
front brake, changing	92
front brake, checking	91
of rear brake, changing	97
rear brake, checking	97

C

Capacity	
coolant	147
fuel	42, 147
Gear oil	134, 147
Chain	
checking	81
cleaning	78
Chain guide	
checking	81
Chain tension	
adjusting	80
checking	79
Characteristic map of the throttle response	
adjusting	125
Chassis number	15
Cleaning, care	137-138
Clutch	
fluid level, checking/correcting	85
fluid, changing	86
Clutch lever	17
basic position, adjusting	85
Cold start button	22
Combination instrument	
adjusting	25
battery, changing	118
message	25
overview	25
service display, setting	27
setting the clock	27
setting the kilometers or miles	26
Compression damping	
fork, adjusting	52
Coolant	
draining	120
refilling	121
Coolant level	
checking	119-120
Cooling system	119
Customer service	12

D

Diagnostics connector	118
Difficult riding conditions	32
dry sand	33
high temperatures	35
low temperature	36

muddy surfaces	35	Fuel screen	
slow speed	35	changing	130
snow	36	Fuel tank	
wet sand	34	installing	76
wet surfaces	35	removing	74
E			
Electric starter button	19	Fuse	
Engine		individual power consumers, changing	112
running in	31	main fuse, changing	110
Engine guard		G	
installing	88	Gear oil	
removing	87	adding	135
Engine number	15	changing	134
Engine sprocket		Gear oil level	
checking	81	checking	133
Environment	10	H	
F			
Figures	11	Hand brake lever	17
Filler cap		basic position, adjusting	89
closing	21	Handlebar position	54
opening	20	adjusting	54
Foot brake lever		Headlight	
free travel, checking	94	range, adjusting	117
Foot brake pedal	23	Headlight adjustment	
basic position, adjusting	94	checking	117
Fork		Headlight bulb	
article number	16	changing	115
basic setting, checking	51	Headlight mask with headlight	
Fork legs		installing	114
bleeding	56	removing	113
dust boots, cleaning	57	High-speed compression damping	
installing	58	shock absorber, adjusting	47
removing	57	Horn button	18
spring preload, adjusting	53	I	
Fork protector		Idle speed	
installing	59	adjusting	126
removing	59	Idle speed adjusting screw	22
Frame		Ignition timing map	
checking	83	changing	128
Front fender		plug-in connector	128
installing	64	Implied warranty	11
removing	64	Indicator lamps overview	19-20
Front wheel		Intended use	7
installing	102	K	
removing	101	Key number	15
		Kick starter	23
		Kill switch	17-18

L	
Light switch	18
Lower triple clamp	
installing	60
removing	59
Low-speed compression damping	
shock absorber, adjusting	46
M	
Main fuse	
changing	110
Main silencer	
glass fiber yarn filling, changing	73
installing	73
removing	72
Map switch	19
Misuse	7
Motorcycle	
cleaning	137
lift stand, raising with	56
removing from lift stand	56
O	
Oil pump	
timing	132
Operating substances	11
Owner's Manual	10
P	
Play in throttle cable	
adjusting	124
Preparing for use	
advice on first use	30
after storage	140
checks and maintenance measures when preparing for use	37
Protective clothing	9
R	
Rear sprocket	
checking	81
Rear wheel	
installing	103
removing	102
Rebound damping	
fork, adjusting	52
shock absorber, adjusting	48
Refueling	
2-stroke oil	42
fuel	41
Riding sag	
adjusting	51
Right side cover	
installing	74
removing	74
Rubber grip	
checking	84
S	
Safe operation	8
Seat	
mounting	69
removing	68
Service	11
Service schedule	43-45
Shift lever	22
basic position, adjusting	129
basic position, checking	129
Shock absorber	
article number	16
compression damping, general	46
installing	66
removing	65
riding sag, checking	49
spring preload, adjusting	50
static sag, checking	49
Side stand	23
Spare parts	11
Spoke tension	
checking	106
Starting	37
Starting power of lithium-ion batteries at low temperatures	32
Steering	
locking	24
unlocking	24
Steering head bearing	
greasing	63
Steering head bearing play	
adjusting	63
checking	62
Storage	139
Swingarm	
checking	83

T

Technical data

capacities	147
chassis	147
chassis tightening torques	150
electrical system	148
engine	144
engine tightening torques	145
fork	149
shock absorber	149
tires	148

Throttle cable play

checking	124
----------	-----

Throttle cable routing

checking	83
----------	----

Throttle grip

	17
--	----

Tire air pressure

checking	105
----------	-----

Tire condition

checking	105
----------	-----

Transporting

	40
--	----

Troubleshooting

	141-143
--	---------

Turn signal bulb

changing	116
----------	-----

Turn signal switch

	19
--	----

Type label

	15
--	----

U

Use definition

	7
--	---

V

View of vehicle

front left	13
rear right	14

W

Warranty

	11
--	----

Winter operation

checks and maintenance steps	138
------------------------------	-----

Work rules

	9
--	---



3402171en

06/2017



Husqvarna[®]
MOTORCYCLES

Husqvarna Motorcycles GmbH
Stallhofnerstraße 3 | 5230 Mattighofen | Austria
www.husqvarna-motorcycles.com



Photo: Mitterbauer,
Husqvarna Motorcycles GmbH